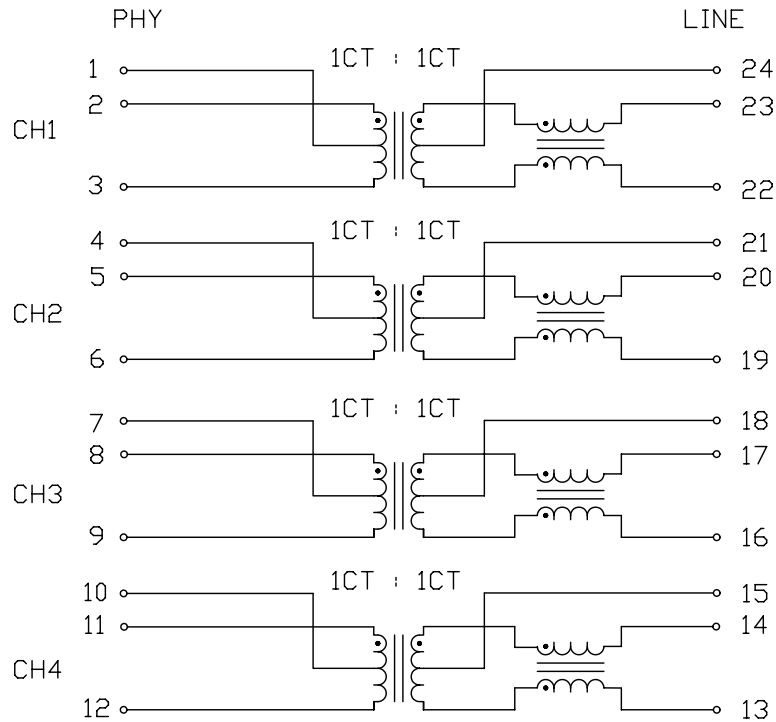


THE INFORMATION CONTAINED HEREIN IS CONSIDERED "PROPRIETARY" TO BEL FUSE INC. AND SHALL NOT BE COPIED, REPRODUCED OR DISCLOSED WITHOUT THE WRITTEN APPROVAL OF BEL FUSE INC.



ELECTRICAL SPECIFICATION @25°C

SCHEMATIC



URNS RATIO

(2-1-3) : (23-24-22) 1CT : 1CT
 (5-4-6) : (20-21-19) 1CT : 1CT
 (8-7-9) : (17-18-16) 1CT : 1CT
 (11-10-12) : (14-15-13) 1CT : 1CT

POLARITY

CH1, CH2 2°&23°, 5°&20°
 CH3, CH4 8°&17°, 11°&14°

INDUCTANCE

(2-3) = (5-6) = (8-9) = (11-12) 120µH MIN
 @100kHz, 100mV

INSERTION LOSS

FREQ(MHz)	1	2-50	200	400	500
dB MAX	1.0	0.5	1.0	2.0	3.0

RETURN LOSS
 (100Ωhm LINESIDE LOAD)

FREQ(MHz)	1	2-100	200	400	500
dB MIN	22	25	22	11	8

COMM. TO DIFF. MODE
 REJECTION

FREQ(MHz)	50	100	200	300	400	500
dB TYP	48	42	36	33	30	28

DIFF. TO COMM. MODE
 REJECTION

FREQ(MHz)	50	100	200	300	400	500
dB TYP	30	27	24	22	21	20

HIPOT

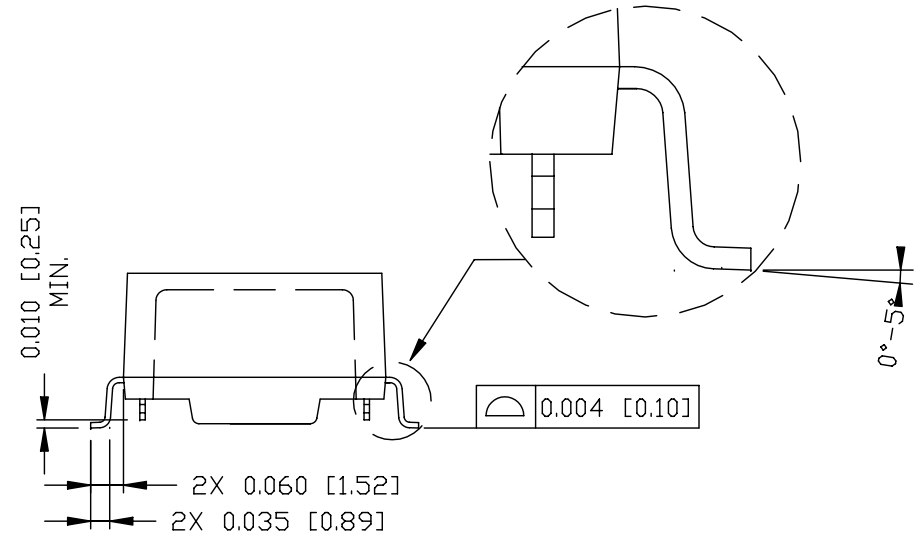
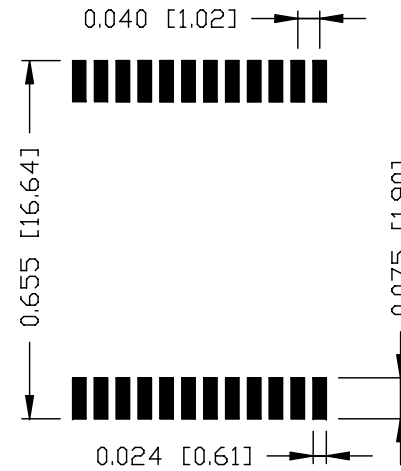
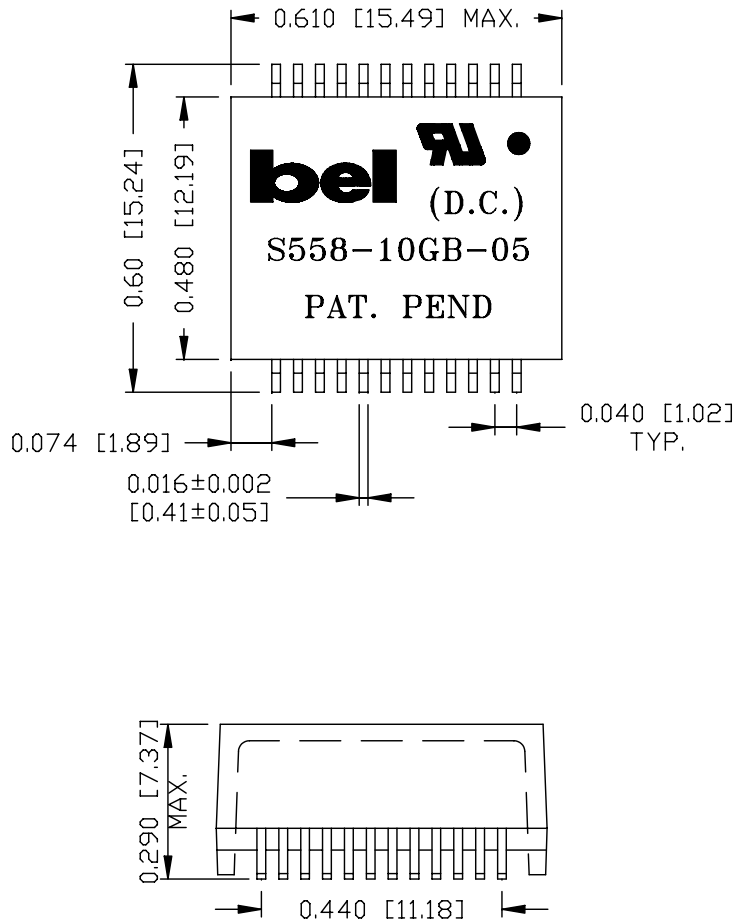
1500Vrms

ORIGINATED BY CHAN CH	DATE 12-04-09	TITLE ELECTRICAL SPECIFICATION	PART NO. / DRAWING NO. S558-10GB-05	STANDARD DIM. TOL. IN INCH	[] METRIC DIM. AS REFERENCE	 COMPONENTS OF A COMPLETE PLANET	
DRAWN BY HY ZHANG	DATE 12-04-09		FILE NAME S55810GB05PD.DWG	.X .XX .XXX	UNIT : INCH [mm] SCALE : N/A		REV. : PD SIZE : A4
							PAGE : 2

THE INFORMATION CONTAINED HEREIN IS CONSIDERED "PROPRIETARY" TO BEL FUSE INC. AND SHALL NOT BE COPIED, REPRODUCED OR DISCLOSED WITHOUT THE WRITTEN APPROVAL OF BEL FUSE INC.



SUGGESTED PCB PAD LAYOUT



NOTES:

- STANDARD MARKING REFER TO DDC. HAND-WORK-04.
- PACKAGE CODE: "QABS001A".

ORIGINATED BY LAWRENCE TSANG	DATE 12-04-09	TITLE MECHANICAL SPECIFICATION	PART NO. / DRAWING NO. S558-10GB-05	STANDARD DIM. TOL. IN INCH		[] METRIC DIM. AS REFERENCE		
DRAWN BY HY ZHANG	DATE 12-04-09		FILE NAME S55810GB05PD.DWG	.X		UNIT : INCH [mm]	REV. : PD	
				.XX	±0.01	SCALE : N/A	SIZE : A4	
				.XXX	±0.005		PAGE : 3	