



SMB Jack Connector Clamp/Solder Attachment For RG174, RG316, RG188

TECHNICAL DATA SHEET

PE4268

SMB Jack Connector Clamp/Solder Attachment For RG174, RG316, RG188

Configuration

Connector	SMB Jack
Connector Interface Type	RG174, RG316, RG188
Cable Attachment Method (Shield/Contact)	Clamp/Solder
Body Style	Straight

Electrical Specifications

Impedance, Ohms	50
-----------------	----

Mechanical Specifications

Size

Length, in [mm]	0.65 [16.51]
Width/Dia., in [mm]	0.25 [6.35]
Weight, lbs [g]	0.004 [1.81]

Connector

Type	SMB Jack
Contact Material and Plating	Gold
Body Material and Plating	Brass, Nickel
Dielectric Type	PTFE

Compliance Certifications (visit www.Pasternack.com for current document)

Plotted and Other Data

Notes:	Values at 25 °C, sea level
--------	----------------------------

SMB Jack Connector Clamp/Solder Attachment For RG174, RG316, RG188 from Pasternack Enterprises has same day shipment for domestic and International orders. Our RF, microwave and fiber optic products maintain a 99% availability and are part of the broadest selection in the industry.

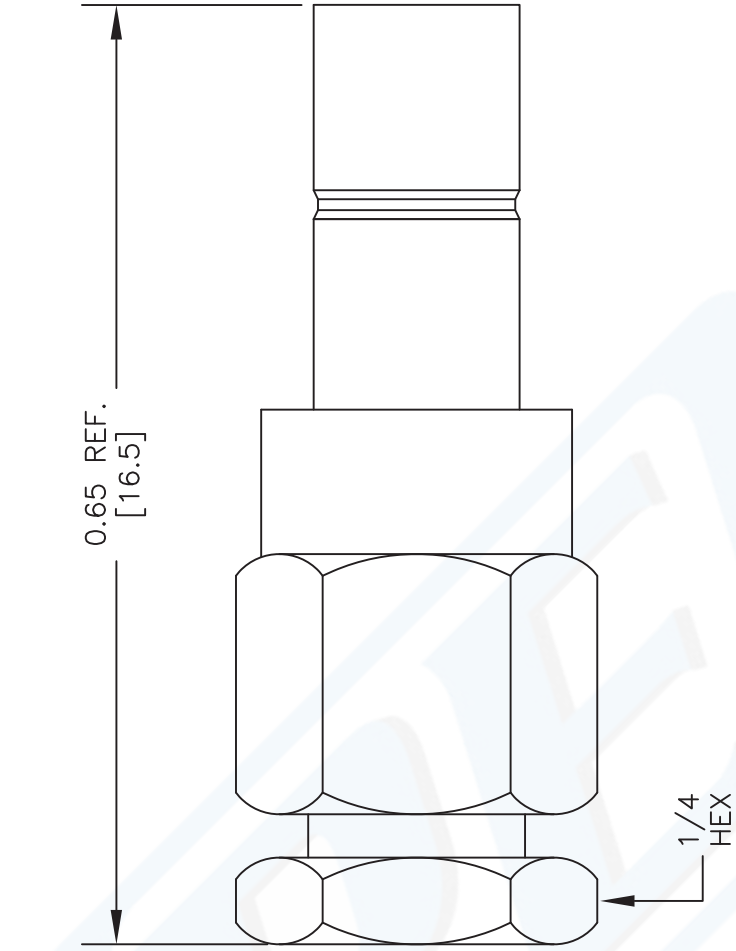
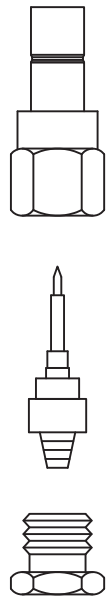
Click the following link (or enter part number in "SEARCH" on website) to obtain additional part information including price, inventory and certifications: [SMB Jack Connector Clamp/Solder Attachment For RG174, RG316, RG188 PE4268](http://www.pasternack.com/smb-jack-standard-rg174-rg316-rg188-connector-pe4268-p.aspx)

URL: <http://www.pasternack.com/smb-jack-standard-rg174-rg316-rg188-connector-pe4268-p.aspx>

The information contained in this document is accurate to the best of our knowledge and representative of the part described herein. It may be necessary to make modifications to the part and/or the documentation of the part, in order to implement improvements. Pasternack reserves the right to make such changes as required. Unless otherwise stated, all specifications are nominal.

PE4268 CAD Drawing

SMB Jack Connector Clamp/Solder Attachment For RG174, RG316, RG188



ASSEMBLY PROCEDURES

1. SLIDE CLAMP NUT (1) OVER CABLE. STRIP CABLE AS SHOWN. DO NOT NICK BRAID & CENTER CONDUCTOR. SLIT JACKET IN 2 PLACES. TIN CENTER CONDUCTOR.
2. SLIDE CONE ASSEMBLY (2) OVER DIELECTRIC & UNDER BRAID.
3. SOLDER CONTACT TO CENTER CONDUCTOR THROUGH HOLE IN CONTACT. INSERT CABLE ASSEMBLY INTO (3) BODY & TIGHTEN.

DWG TITLE

PE4268

NOTES:
 1. UNLESS OTHERWISE SPECIFIED ALL DIMENSIONS ARE NOMINAL.
 2. ALL SPECIFICATIONS ARE SUBJECT TO CHANGE WITHOUT NOTICE AT ANY TIME.
 3. DIMENSIONS ARE IN INCHES [mm].
 4. FITS MIL-C-17 AND EQUIVALENT CABLES.

FSCM NO. 53919

CAD FILE 022113-B

SCALE N/A

SIZE A

XXXX

PE PASTERNAK®
 Pasternack Enterprises, Inc.
 P.O. Box 16759 | Irvine | CA | 92623
Phone: (949) 261-1920 | **Fax:** (949) 261-7451
Website: www.pasternack.com | **E-Mail:** sales@pasternack.com