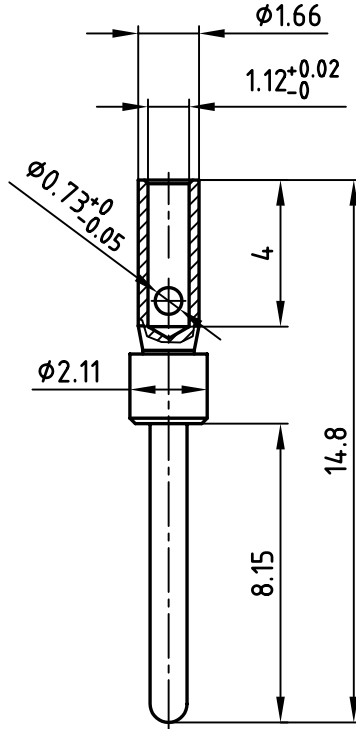


used for: D-SUB



Directive 2002/95/EC
"RoHS"
Compliant

APPROVAL # FREIGABE # DEBLOCAGE # AUTORIZACION # APPROVAL	
CUSTOMER APPROVAL DATE:	
NAME:	TITLE:
COMPANY NAME:	
APPROVAL # FREIGABE # DEBLOCAGE # AUTORIZACION # APPROVAL	

Notes:

- Material: brass
- Finish: 8µ" hard-gold-plated in the contact area
- Temperature range: -55°C to +125°C
- Rated current: 7.5A
- Contact resistance: <= 10mOhm

THIS DRAWING MAY NOT BE COPIED OR REPRODUCED IN ANY WAY, AND MAY NOT BE PASSED ON TO A THIRD PARTY WITHOUT WRITTEN PERMISSION.
OWNERSHIP AND COPYRIGHT OF CONEC GmbH
DO NOT ALTER CAD DRAWING BY HAND

tolerance			 dim. in mm
2006	date	name	
	drawn	08.02.	Lehmenkühler
	appd.	08.02.	Mickenbecker
	norm		
	d-old		
a	Origin		
rev.	description	date	name



scale:	5:1	
material:	SEE NOTES	
title:	CRIMP PLUG CONTACT screw machined version accepts cable AWG 24-20	
dwg no:	AutoCAD 2004	DIN-A
	16K1A1743	4
part no:	161A18299X	
		sh: 1/1