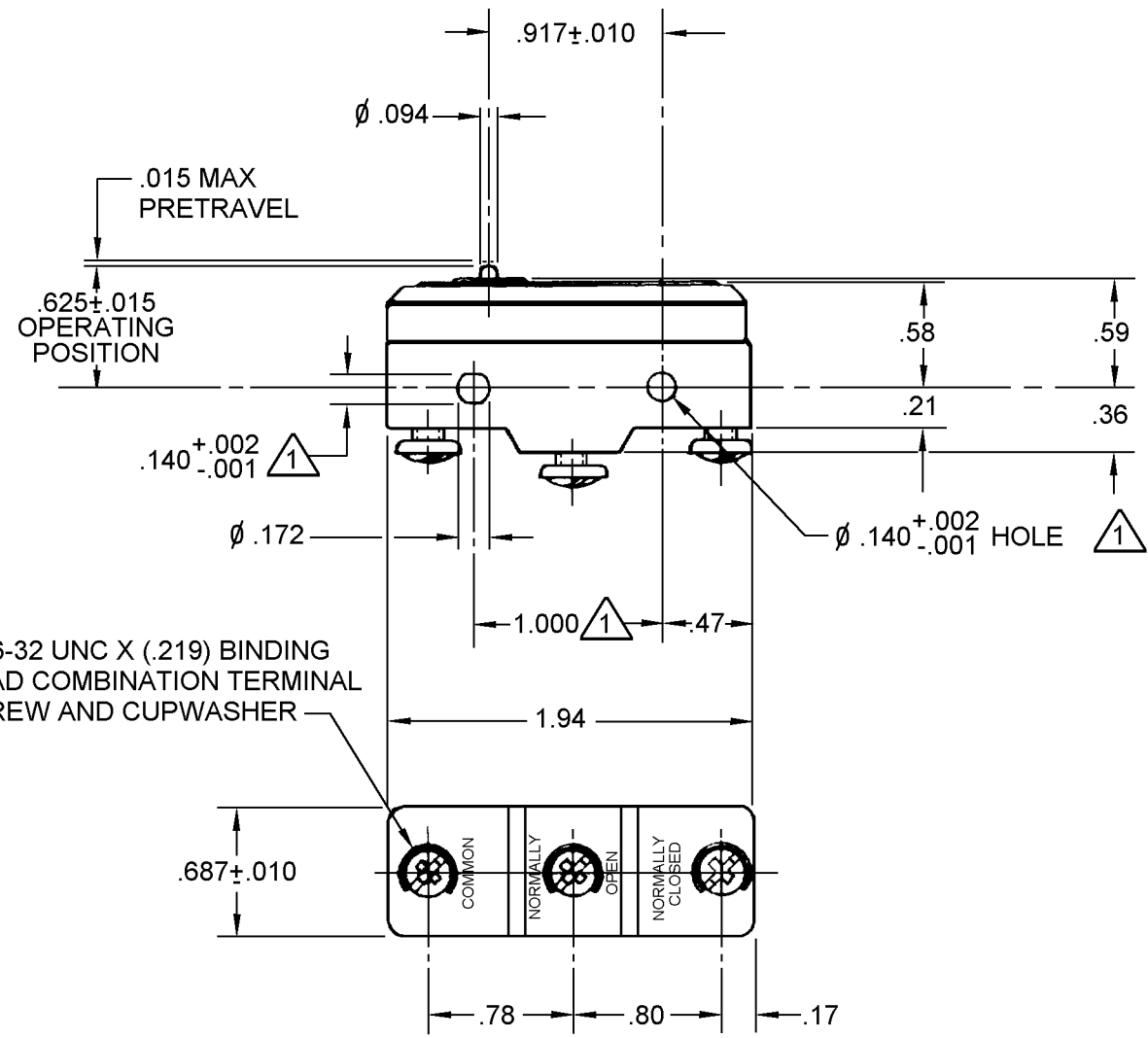


CATALOG LISTING
BZ-1R2448-A2
 PAGE 1 OF 1
 ISSUE 1
 REVISIONS
 RASTER DRAWN
 C S L 7 FEB 02
 CHECK SAV 7 FEB 02
 CHECK 7 FEB 02
 CHECK
 RELEASE NO. 204842
 REPLACES X114132-BZ

MICRO SWITCH
a Honeywell Division
FED. MFG. CODE 91929

SWITCH - BASIC

CATALOG LISTING
BZ-1R2448-A2

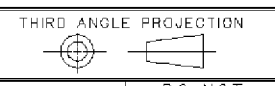


3X 6-32 UNC X (.219) BINDING HEAD COMBINATION TERMINAL SCREW AND CUPWASHER

- NOTES**
- ① MOUNTING HOLES WILL ACCEPT PINS OR SCREWS OF $\phi .139$ MAX ON $1.000 \pm .002$ CENTERS
 - 2 - SWITCH WILL WITHSTAND TEMPERATURE OF 400° F FOR 100 HOURS

ANSI Y14.5M-1982 APPLIES

THIS DRAWING COVERS A PROPRIETARY ITEM AND IS THE PROPERTY OF MICRO SWITCH, A DIVISION OF HONEYWELL. THIS DRAWING IS NOT TO BE COPIED OR USED WITHOUT THE APPROVAL OF MICRO SWITCH.



CHARACTERISTICS	ELECTRICAL DATA	SCALE FULL	DO NOT SCALE PRINT
OPERATING FORCE - - - - - 4 - 10 OZ	CONTACT ARRANGEMENT S P D T	UNLESS OTHERWISE SPECIFIED TOLERANCES ARE	
RELEASE FORCE - - - - - 2 1/2 OZ MIN	L35 5A 125, <u>250</u> OR 480 VAC 1/2A 125 VDC, 1/4A 250 VDC	ONE PLACE (.0) ±.030	
DIFFERENTIAL TRAVEL - - - .001 MAX		TWO PLACE (.00) ±.015	
OVERTRAVEL - - - - - .005 MIN	L288	THREE PLACE (.000) ±.005	
		ANGLES ±	
		WEIGHT .063 LB	