



## TECHNICAL DATA SHEET

PE9632

**75 Ohm F Male to PAL Jack Adapter**
**Configuration**

|                |          |
|----------------|----------|
| Connector 1    | F Male   |
| Impedance 1    | 75 Ohms  |
| Connector 2    | PAL Jack |
| Impedance 2    | 75 Ohms  |
| Adapter Design | Standard |
| Body Style     | Straight |

**Mechanical Specifications**
**Size**

|                     |               |
|---------------------|---------------|
| Length, in [mm]     | 1.235 [31.37] |
| Width/Dia., in [mm] | 0.438 [11.13] |

**Connector 1**

|                                       |                       |
|---------------------------------------|-----------------------|
| Type                                  | F Male                |
| Inner Conductor Material and Plating  | Brass, Gold           |
| Inner Conductor Plating Specification | 3 $\mu$ in. minimum   |
| Coupling Nut Material and Plating     | Brass, Nickel         |
| Coupling Nut Plating Specification    | 100 $\mu$ in. minimum |
| Hex Size, in.                         | 7/16                  |
| Torque, in-lbs [Nm]                   | 15 [1.7]              |
| Body Material and Plating             | Brass, Nickel         |
| Body Plating Specification            | 100 $\mu$ in. minimum |
| Dielectric Type                       | Teflon                |

**Connector 2**

|                                       |                       |
|---------------------------------------|-----------------------|
| Type                                  | PAL Jack              |
| Inner Conductor Material and Plating  | Brass, Gold           |
| Inner Conductor Plating Specification | 3 $\mu$ in. minimum   |
| Body Material and Plating             | Brass, Nickel         |
| Body Plating Specification            | 100 $\mu$ in. minimum |
| Dielectric Type                       | Teflon                |

**Compliance Certifications** (visit [www.Pasternack.com](http://www.Pasternack.com) for current document)

|                |     |
|----------------|-----|
| RoHS Compliant | Yes |
|----------------|-----|

**Plotted and Other Data**

Notes: Values at 25 °C, sea level

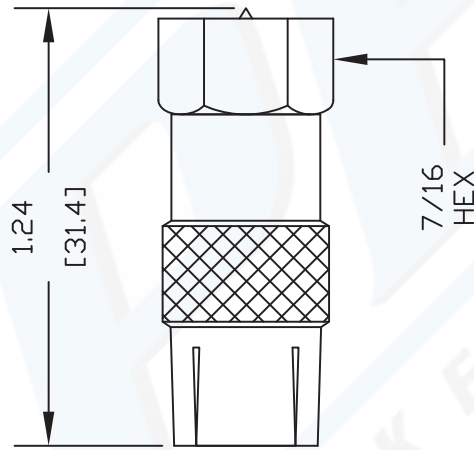
 URL: <http://www.pasternack.com/f-male-pal-jack-straight-adapter-pe9632-p.aspx>

75 Ohm F Male to PAL Jack Adapter from Pasternack Enterprises has same day shipment for domestic and International orders. Our RF, microwave and fiber optic products maintain a 99% availability and are part of the broadest selection in the

The information contained in this document is accurate to the best of our knowledge and representative of the part described herein. It may be necessary to make modifications to the part and/or the documentation of the part, in order to implement improvements. Pasternack reserves the right to make such changes as required. Unless otherwise stated, all specifications are nominal.

# PE9632 CAD Drawing

## 75 Ohm F Male to PAL Jack Adapter



NOTES:  
 1. UNLESS OTHERWISE SPECIFIED ALL DIMENSIONS ARE NOMINAL.  
 2. ALL SPECIFICATIONS ARE SUBJECT TO CHANGE WITHOUT NOTICE AT ANY TIME.  
 3. DIMENSIONS ARE IN INCHES (mm).

DWG TITLE  
**PE9632**

|        |                |                 |           |        |     |
|--------|----------------|-----------------|-----------|--------|-----|
| REV. - | FSCM NO. 53919 | CAD FILE 111502 | SCALE N/A | SIZE A | 127 |
|--------|----------------|-----------------|-----------|--------|-----|

**PASTERNAK ENTERPRISES, INC.**  
 P.O. BOX 16759, IRVINE, CA 92623  
 PHONE (949) 261-1920 FAX (949) 261-7451  
 WEB ADDRESS: [www.pasternack.com](http://www.pasternack.com)  
 E-MAIL ADDRESS: [sales@pasternack.com](mailto:sales@pasternack.com)  
**COAXIAL & FIBER OPTICS**

