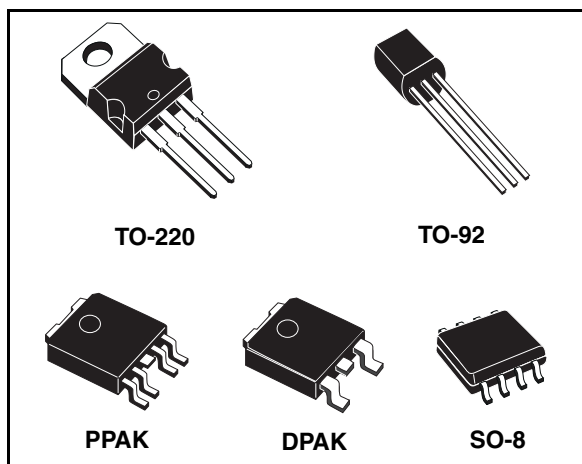


## Very low drop voltage regulators with inhibit

### Feature summary

- Very low dropout voltage (0.4V)
- Very low quiescent current
- (Typ. 50  $\mu$ A in off mode, 600 $\mu$ A in on mode)
- Output current up to 250 mA
- Logic-controlled electronic shutdown
- Output voltages of 1.5; 2.5; 2.7; 3; 3.3; 3.5; 4; 4.7; 5; 8; 12V
- Internal current and thermal limit
- Only 2.2 $\mu$ F for stability
- Available in  $\pm$  1% (AB) or 2% (C) selection at 25°C
- Supply voltage rejection: 70db typ. for 5V version
- Temperature range: -40 to 125°C



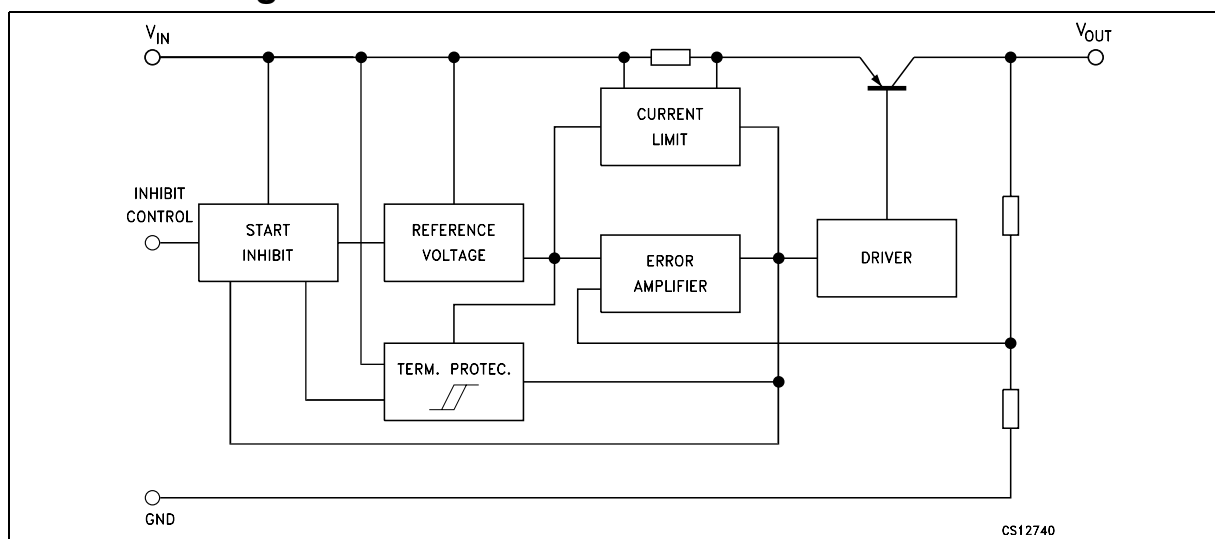
The very Low Drop voltage (0.4V) and the very low quiescent current make them particularly suitable for Low Noise, Low Power applications and specially in battery powered systems.

### Description

The L4931 series are very Low Drop regulators available in TO-220, SO-8, DPAK, PPAK and TO-92 packages and in a wide range of output voltages.

In PPAK and SO-8 packages a Shutdown Logic Control function is available TTL compatible. This means that when the device is used as a local regulator, it is possible to put a part of the board in standby, decreasing the total power consumption. It requires only a 2.2  $\mu$ F capacitor for stability allowing space and cost saving.

### Schematic diagram



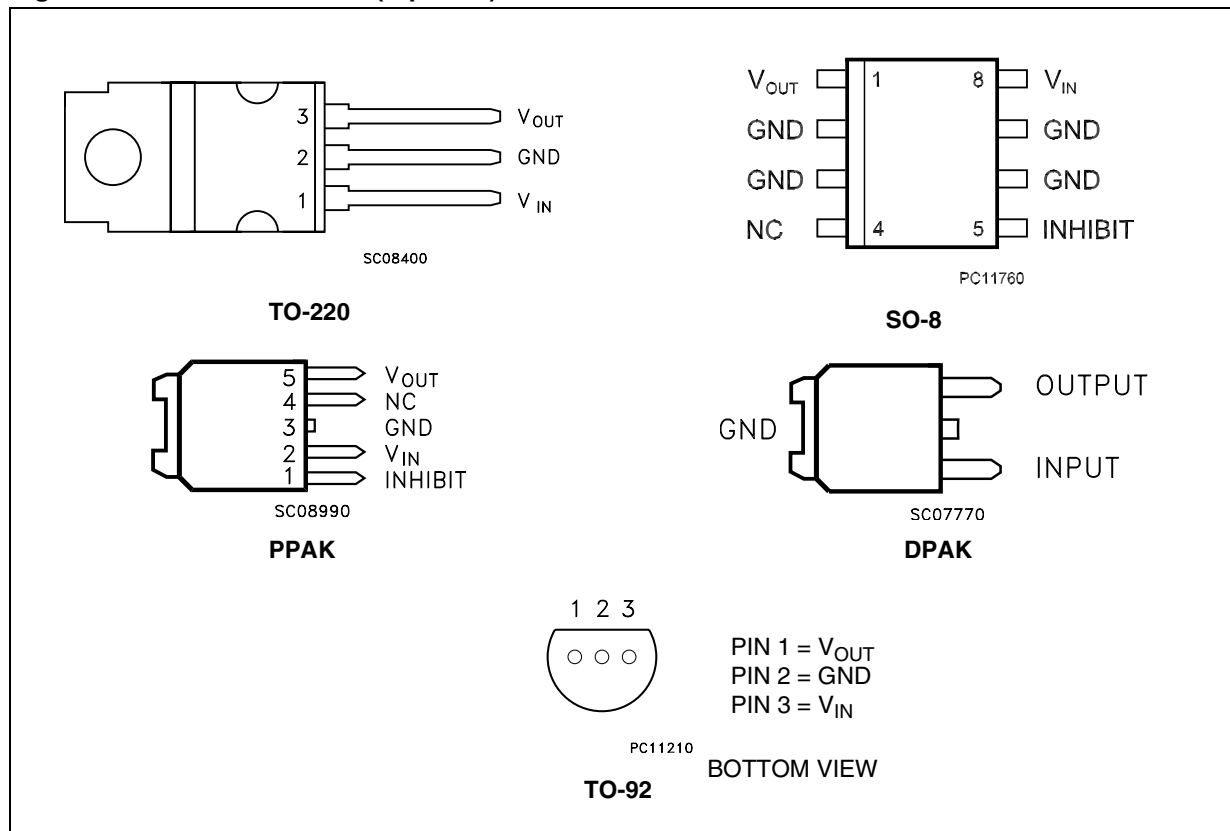
---

## Contents

1	Pin configuration .....	3
2	Maximum ratings .....	4
3	Application circuits .....	5
4	Electrical characteristics .....	6
5	Typical application .....	28
6	Package mechanical data .....	29
7	Order code .....	38
8	Revision history .....	39

# 1 Pin configuration

Figure 1. Pin connections (top view)



## 2 Maximum ratings

**Table 1. Absolute maximum ratings**

Symbol	Parameter	Value	Unit
$V_I$	DC Input voltage	20	V
$I_O$	Output current	Internally Limited	mA
$P_D$	Power dissipation	Internally Limited	mW
$T_{STG}$	Storage temperature range	-40 to 150	°C
$T_{OP}$	Operating junction temperature range	-40 to 125	°C

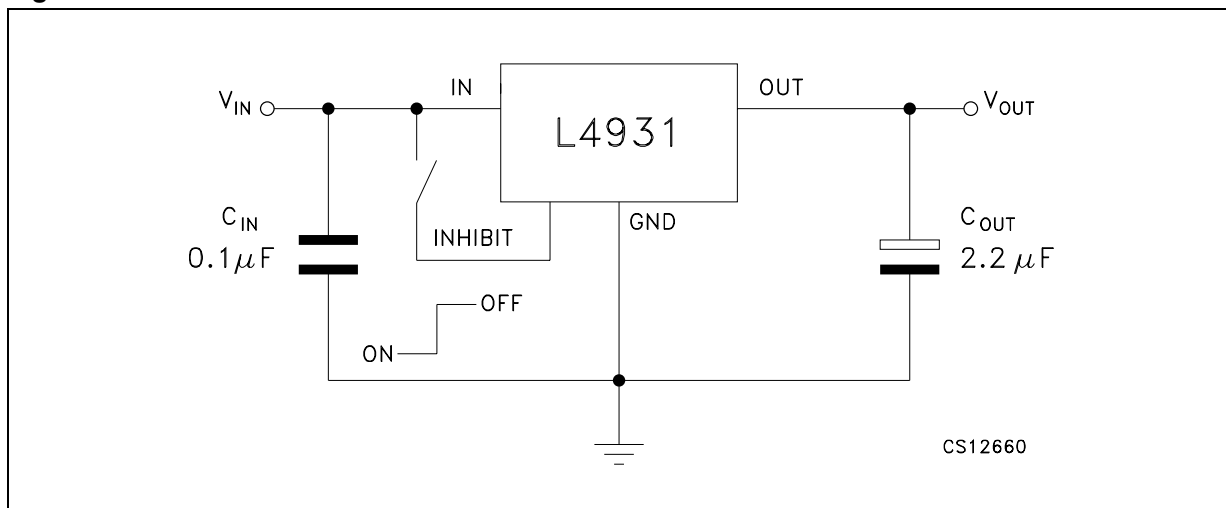
*Note: Absolute Maximum Ratings are those values beyond which damage to the device may occur. Functional operation under these condition is not implied*

**Table 2. Thermal Data**

Symbol	Parameter	TO-220	SO-8	DPAK	PPAK	TO-92	Unit
$R_{thJC}$	Thermal resistance junction-case	3	20	8	8		°C/W
$R_{thJA}$	Thermal resistance junction-ambient	50	55	100	100	200	°C/W

### 3 Application circuits

Figure 2. Test circuits



## 4 Electrical characteristics

**Table 3. Electrical characteristics of L4931ABxx15** (refer to the test circuits,  $T_J = 25^\circ\text{C}$ ,  $C_I = 0.1 \mu\text{F}$ ,  $C_O = 2.2 \mu\text{F}$  unless otherwise specified).

Symbol	Parameter	Test conditions	Min.	Typ.	Max.	Unit
$V_O$	Output voltage	$I_O = 5 \text{ mA}$ , $V_I = 3.5 \text{ V}$	1.485	1.5	1.515	V
		$I_O = 5 \text{ mA}$ , $V_I = 3.5 \text{ V}$ , $T_A = -25 \text{ to } 85^\circ\text{C}$	1.47		1.53	
$V_I$	Operating input voltage	$I_O = 250 \text{ mA}$	2.5		20	V
$I_{\text{out}}$	Output current limit			300		mA
$\Delta V_O$	Line regulation	$V_I = 2.5 \text{ to } 20 \text{ V}$ , $I_O = 0.5 \text{ mA}$		3	15	mV
$\Delta V_O$	Load regulation <sup>(1)</sup>	$V_I = 2.7 \text{ V}$ , $I_O = 0.5 \text{ to } 250 \text{ mA}$		3	15	mV
$I_d$	Quiescent current ON MODE	$V_I = 2.7 \text{ to } 20 \text{ V}$ , $I_O = 0 \text{ mA}$		0.6	1	mA
		$V_I = 2.7 \text{ to } 20 \text{ V}$ , $I_O = 250 \text{ mA}$		4	6	
	OFF MODE	$V_I = 6 \text{ V}$		50	100	$\mu\text{A}$
SVR	Supply voltage rejection	$I_O = 5 \text{ mA}$ $V_I = 3.7 \pm 1 \text{ V}$	$f = 120 \text{ Hz}$		79	dB
			$f = 1 \text{ KHz}$		76	
			$f = 10 \text{ KHz}$		55	
eN	Output noise voltage	$B = 10 \text{ Hz to } 100 \text{ KHz}$		50		$\mu\text{V}$
$V_d$	Dropout voltage <sup>(1)</sup>	$I_O = 250 \text{ mA}$		1		V
$V_{\text{IL}}$	Control input logic low	$T_A = -40 \text{ to } 125^\circ\text{C}$			0.8	V
$V_{\text{IH}}$	Control Input Logic High	$T_A = -40 \text{ to } 125^\circ\text{C}$	2			V
$I_I$	Control input current	$V_I = 6 \text{ V}$ , $V_C = 6 \text{ V}$		10		$\mu\text{A}$
$C_O$	Output bypass capacitance	$\text{ESR} = 0.1 \text{ to } 10 \Omega$ , $I_O = 0 \text{ to } 250 \text{ mA}$	2	10		$\mu\text{F}$

1. For SO-8 package the maximum limit of load regulation and dropout is increased by 20 mV.

**Table 4. Electrical characteristics of L4931Cxx15** (refer to the test circuits,  $T_J = 25^\circ\text{C}$ ,  $C_I = 0.1 \mu\text{F}$ ,  $C_O = 2.2 \mu\text{F}$  unless otherwise specified).

Symbol	Parameter	Test conditions	Min.	Typ.	Max.	Unit
$V_O$	Output voltage	$I_O = 5 \text{ mA}$ , $V_I = 3.5 \text{ V}$	1.47	1.5	1.53	V
		$I_O = 5 \text{ mA}$ , $V_I = 3.5 \text{ V}$ , $T_A = -25 \text{ to } 85^\circ\text{C}$	1.44		1.56	
$V_I$	Operating input voltage	$I_O = 250 \text{ mA}$	2.5		20	V
$I_{\text{out}}$	Output current limit			300		mA
$\Delta V_O$	Line regulation	$V_I = 2.5 \text{ to } 20 \text{ V}$ , $I_O = 0.5 \text{ mA}$		3	18	mV
$\Delta V_O$	Load regulation <sup>(1)</sup>	$V_I = 2.7 \text{ V}$ , $I_O = 0.5 \text{ to } 250 \text{ mA}$		3	18	mV
$I_d$	Quiescent current ON MODE	$V_I = 2.7 \text{ to } 20 \text{ V}$ , $I_O = 0 \text{ mA}$		0.6	1	mA
		$V_I = 2.7 \text{ to } 20 \text{ V}$ , $I_O = 250 \text{ mA}$		4	6	
	OFF MODE	$V_I = 6 \text{ V}$		50	100	$\mu\text{A}$
SVR	Supply voltage rejection	$I_O = 5 \text{ mA}$ $V_I = 3.7 \pm 1 \text{ V}$	$f = 120 \text{ Hz}$		79	dB
			$f = 1 \text{ KHz}$		76	
			$f = 10 \text{ KHz}$		55	
eN	Output noise voltage	$B = 10 \text{ Hz to } 100 \text{ KHz}$		50		$\mu\text{V}$
$V_d$	Dropout voltage <sup>(1)</sup>	$I_O = 250 \text{ mA}$		1		V
$V_{\text{IL}}$	Control input logic low	$T_A = -40 \text{ to } 125^\circ\text{C}$			0.8	V
$V_{\text{IH}}$	Control Input Logic High	$T_A = -40 \text{ to } 125^\circ\text{C}$	2			V
$I_I$	Control input current	$V_I = 6 \text{ V}$ , $V_C = 6 \text{ V}$		10		$\mu\text{A}$
$C_O$	Output bypass capacitance	$\text{ESR} = 0.1 \text{ to } 10 \Omega$ , $I_O = 0 \text{ to } 250 \text{ mA}$	2	10		$\mu\text{F}$

1. For SO-8 package the maximum limit of load regulation and dropout is increased by 20 mV.

**Table 5. Electrical characteristics of L4931ABxx25** (refer to the test circuits,  $T_J = 25^\circ\text{C}$ ,  $C_I = 0.1 \mu\text{F}$ ,  $C_O = 2.2 \mu\text{F}$  unless otherwise specified).

Symbol	Parameter	Test conditions	Min.	Typ.	Max.	Unit
$V_O$	Output voltage	$I_O = 5 \text{ mA}$ , $V_I = 4.5 \text{ V}$	2.475	2.5	2.525	V
		$I_O = 5 \text{ mA}$ , $V_I = 4.5 \text{ V}$ , $T_A = -25 \text{ to } 85^\circ\text{C}$	2.45		2.55	
$V_I$	Operating input voltage	$I_O = 250 \text{ mA}$			20	V
$I_{out}$	Output current limit			300		mA
$\Delta V_O$	Line regulation	$V_I = 3.2 \text{ to } 20 \text{ V}$ , $I_O = 0.5 \text{ mA}$		3	15	mV
$\Delta V_O$	Load regulation <sup>(1)</sup>	$V_I = 3.4 \text{ V}$ , $I_O = 0.5 \text{ to } 250 \text{ mA}$		3	15	mV
$I_d$	Quiescent current ON MODE	$V_I = 3.4 \text{ to } 20 \text{ V}$ , $I_O = 0 \text{ mA}$		0.6	1	mA
		$V_I = 3.4 \text{ to } 20 \text{ V}$ , $I_O = 250 \text{ mA}$		4	6	
	OFF MODE	$V_I = 6 \text{ V}$		50	100	$\mu\text{A}$
SVR	Supply voltage rejection	$I_O = 5 \text{ mA}$ $V_I = 4.4 \pm 1 \text{ V}$	$f = 120 \text{ Hz}$		75	dB
			$f = 1 \text{ KHz}$		72	
			$f = 10 \text{ KHz}$		55	
eN	Output noise voltage	$B = 10 \text{ Hz to } 100 \text{ KHz}$		50		$\mu\text{V}$
$V_d$	Dropout voltage <sup>(1)</sup>	$I_O = 250 \text{ mA}$		0.4	0.6	V
		$I_O = 250 \text{ mA}$ , $T_A = -40 \text{ to } 125^\circ\text{C}$			0.8	V
$V_{IL}$	Control input logic low	$T_A = -40 \text{ to } 125^\circ\text{C}$			0.8	V
$V_{IH}$	Control Input Logic High	$T_A = -40 \text{ to } 125^\circ\text{C}$	2			V
$I_I$	Control input current	$V_I = 6 \text{ V}$ , $V_C = 6 \text{ V}$		10		$\mu\text{A}$
$C_O$	Output bypass capacitance	$\text{ESR} = 0.1 \text{ to } 10 \Omega$ , $I_O = 0 \text{ to } 250 \text{ mA}$	2	10		$\mu\text{F}$

1. For SO-8 package the maximum limit of load regulation and dropout is increased by 20 mV.



**Table 6. Electrical characteristics of L4931Cxx25** (refer to the test circuits,  $T_J = 25^\circ\text{C}$ ,  $C_I = 0.1 \mu\text{F}$ ,  $C_O = 2.2 \mu\text{F}$  unless otherwise specified).

Symbol	Parameter	Test conditions	Min.	Typ.	Max.	Unit
$V_O$	Output voltage	$I_O = 5 \text{ mA}$ , $V_I = 4.5 \text{ V}$	2.45	2.5	2.55	V
		$I_O = 5 \text{ mA}$ , $V_I = 4.5 \text{ V}$ , $T_A = -25 \text{ to } 85^\circ\text{C}$	2.4		2.6	
$V_I$	Operating input voltage	$I_O = 250 \text{ mA}$			20	V
$I_{\text{out}}$	Output current limit			300		mA
$\Delta V_O$	Line regulation	$V_I = 3.3 \text{ to } 20 \text{ V}$ , $I_O = 0.5 \text{ mA}$		3	18	mV
$\Delta V_O$	Load regulation <sup>(1)</sup>	$V_I = 3.5 \text{ V}$ , $I_O = 0.5 \text{ to } 250 \text{ mA}$		3	18	mV
$I_d$	Quiescent current ON MODE	$V_I = 3.5 \text{ to } 20 \text{ V}$ , $I_O = 0 \text{ mA}$		0.6	1	mA
		$V_I = 3.5 \text{ to } 20 \text{ V}$ , $I_O = 250 \text{ mA}$		4	6	
	OFF MODE	$V_I = 6 \text{ V}$		50	100	$\mu\text{A}$
SVR	Supply voltage rejection	$I_O = 5 \text{ mA}$ $V_I = 4.4 \pm 1 \text{ V}$	$f = 120 \text{ Hz}$		75	dB
			$f = 1 \text{ KHz}$		72	
			$f = 10 \text{ KHz}$		55	
eN	Output noise voltage	$B = 10 \text{ Hz to } 100 \text{ KHz}$		50		$\mu\text{V}$
$V_d$	Dropout voltage <sup>(1)</sup>	$I_O = 250 \text{ mA}$		0.4	0.6	V
		$I_O = 250 \text{ mA}$ , $T_A = -40 \text{ to } 125^\circ\text{C}$			0.8	V
$V_{\text{IL}}$	Control input logic low	$T_A = -40 \text{ to } 125^\circ\text{C}$			0.8	V
$V_{\text{IH}}$	Control Input Logic High	$T_A = -40 \text{ to } 125^\circ\text{C}$	2			V
$I_I$	Control input current	$V_I = 6 \text{ V}$ , $V_C = 6 \text{ V}$		10		$\mu\text{A}$
$C_O$	Output bypass capacitance	$\text{ESR} = 0.1 \text{ to } 10 \Omega$ , $I_O = 0 \text{ to } 250 \text{ mA}$	2	10		$\mu\text{F}$

1. For SO-8 package the maximum limit of load regulation and dropout is increased by 20 mV.

**Table 7. Electrical characteristics of L4931ABxx27** (refer to the test circuits,  $T_J = 25^\circ\text{C}$ ,  $C_I = 0.1 \mu\text{F}$ ,  $C_O = 2.2 \mu\text{F}$  unless otherwise specified).

Symbol	Parameter	Test conditions	Min.	Typ.	Max.	Unit
$V_O$	Output voltage	$I_O = 5 \text{ mA}$ , $V_I = 4.7 \text{ V}$	2.673	2.7	2.727	V
		$I_O = 5 \text{ mA}$ , $V_I = 4.7 \text{ V}$ , $T_A = -25 \text{ to } 85^\circ\text{C}$	2.646		2.754	
$V_I$	Operating input voltage	$I_O = 250 \text{ mA}$			20	V
$I_{\text{out}}$	Output current limit			300		mA
$\Delta V_O$	Line regulation	$V_I = 3.4 \text{ to } 20 \text{ V}$ , $I_O = 0.5 \text{ mA}$		3	15	mV
$\Delta V_O$	Load regulation <sup>(1)</sup>	$V_I = 3.6 \text{ V}$ , $I_O = 0.5 \text{ to } 250 \text{ mA}$		3	15	mV
$I_d$	Quiescent current ON MODE	$V_I = 3.6 \text{ to } 20 \text{ V}$ , $I_O = 0 \text{ mA}$		0.6	1	mA
		$V_I = 3.6 \text{ to } 20 \text{ V}$ , $I_O = 250 \text{ mA}$		4	6	
	OFF MODE	$V_I = 6 \text{ V}$		50	100	$\mu\text{A}$
SVR	Supply voltage rejection	$I_O = 5 \text{ mA}$ $V_I = 4.6 \pm 1 \text{ V}$	$f = 120 \text{ Hz}$		74	dB
			$f = 1 \text{ KHz}$		71	
			$f = 10 \text{ KHz}$		55	
eN	Output noise voltage	$B = 10 \text{ Hz to } 100 \text{ KHz}$		50		$\mu\text{V}$
$V_d$	Dropout voltage <sup>(1)</sup>	$I_O = 250 \text{ mA}$		0.4	0.6	V
		$I_O = 250 \text{ mA}$ , $T_A = -40 \text{ to } 125^\circ\text{C}$			0.8	V
$V_{\text{IL}}$	Control input logic low	$T_A = -40 \text{ to } 125^\circ\text{C}$			0.8	V
$V_{\text{IH}}$	Control Input Logic High	$T_A = -40 \text{ to } 125^\circ\text{C}$	2			V
$I_I$	Control input current	$V_I = 6 \text{ V}$ , $V_C = 6 \text{ V}$		10		$\mu\text{A}$
$C_O$	Output bypass capacitance	$\text{ESR} = 0.1 \text{ to } 10 \Omega$ , $I_O = 0 \text{ to } 250 \text{ mA}$	2	10		$\mu\text{F}$

1. For SO-8 package the maximum limit of load regulation and dropout is increased by 20 mV.

**Table 8. Electrical characteristics of L4931Cxx27** (refer to the test circuits,  $T_J = 25^\circ\text{C}$ ,  $C_I = 0.1 \mu\text{F}$ ,  $C_O = 2.2 \mu\text{F}$  unless otherwise specified).

Symbol	Parameter	Test conditions	Min.	Typ.	Max.	Unit
$V_O$	Output voltage	$I_O = 5 \text{ mA}$ , $V_I = 4.7 \text{ V}$	2.646	2.7	2.754	V
		$I_O = 5 \text{ mA}$ , $V_I = 4.7 \text{ V}$ , $T_A = -25 \text{ to } 85^\circ\text{C}$	2.592		2.808	
$V_I$	Operating input voltage	$I_O = 250 \text{ mA}$			20	V
$I_{\text{out}}$	Output current limit			300		mA
$\Delta V_O$	Line regulation	$V_I = 3.4 \text{ to } 20 \text{ V}$ , $I_O = 0.5 \text{ mA}$		3	18	mV
$\Delta V_O$	Load regulation <sup>(1)</sup>	$V_I = 3.6 \text{ V}$ , $I_O = 0.5 \text{ to } 250 \text{ mA}$		3	18	mV
$I_d$	Quiescent current ON MODE	$V_I = 3.6 \text{ to } 20 \text{ V}$ , $I_O = 0 \text{ mA}$		0.6	1	mA
		$V_I = 3.6 \text{ to } 20 \text{ V}$ , $I_O = 250 \text{ mA}$		4	6	
	OFF MODE	$V_I = 6 \text{ V}$		50	100	$\mu\text{A}$
SVR	Supply voltage rejection	$I_O = 5 \text{ mA}$ $V_I = 4.6 \pm 1 \text{ V}$	$f = 120 \text{ Hz}$		74	dB
			$f = 1 \text{ KHz}$		71	
			$f = 10 \text{ KHz}$		55	
eN	Output noise voltage	$B = 10 \text{ Hz to } 100 \text{ KHz}$		50		$\mu\text{V}$
$V_d$	Dropout voltage <sup>(1)</sup>	$I_O = 250 \text{ mA}$		0.4	0.6	V
		$I_O = 250 \text{ mA}$ , $T_A = -40 \text{ to } 125^\circ\text{C}$			0.8	V
$V_{\text{IL}}$	Control input logic low	$T_A = -40 \text{ to } 125^\circ\text{C}$			0.8	V
$V_{\text{IH}}$	Control Input Logic High	$T_A = -40 \text{ to } 125^\circ\text{C}$	2			V
$I_I$	Control input current	$V_I = 6 \text{ V}$ , $V_C = 6 \text{ V}$		10		$\mu\text{A}$
$C_O$	Output bypass capacitance	$\text{ESR} = 0.1 \text{ to } 10 \Omega$ , $I_O = 0 \text{ to } 250 \text{ mA}$	2	10		$\mu\text{F}$

1. For SO-8 package the maximum limit of load regulation and dropout is increased by 20 mV.

**Table 9. Electrical characteristics of L4931ABxx30** (refer to the test circuits,  $T_J = 25^\circ\text{C}$ ,  $C_I = 0.1 \mu\text{F}$ ,  $C_O = 2.2 \mu\text{F}$  unless otherwise specified).

Symbol	Parameter	Test conditions	Min.	Typ.	Max.	Unit
$V_O$	Output voltage	$I_O = 5 \text{ mA}$ , $V_I = 5 \text{ V}$	2.97	3	3.03	V
		$I_O = 5 \text{ mA}$ , $V_I = 5 \text{ V}$ , $T_A = -25 \text{ to } 85^\circ\text{C}$	2.94		3.06	
$V_I$	Operating input voltage	$I_O = 250 \text{ mA}$			20	V
$I_{out}$	Output current limit			300		mA
$\Delta V_O$	Line regulation	$V_I = 3.7 \text{ to } 20 \text{ V}$ , $I_O = 0.5 \text{ mA}$		3	15	mV
$\Delta V_O$	Load regulation <sup>(1)</sup>	$V_I = 3.9 \text{ V}$ , $I_O = 0.5 \text{ to } 250 \text{ mA}$		3	15	mV
$I_d$	Quiescent current ON MODE	$V_I = 3.9 \text{ to } 20 \text{ V}$ , $I_O = 0 \text{ mA}$		0.6	1	mA
		$V_I = 3.9 \text{ to } 20 \text{ V}$ , $I_O = 250 \text{ mA}$		4	6	
	OFF MODE	$V_I = 6 \text{ V}$		50	100	$\mu\text{A}$
SVR	Supply voltage rejection	$I_O = 5 \text{ mA}$ $V_I = 4.9 \pm 1 \text{ V}$	$f = 120 \text{ Hz}$		74	dB
			$f = 1 \text{ KHz}$		71	
			$f = 10 \text{ KHz}$		55	
eN	Output noise voltage	$B = 10 \text{ Hz to } 100 \text{ KHz}$		50		$\mu\text{V}$
$V_d$	Dropout voltage <sup>(1)</sup>	$I_O = 250 \text{ mA}$		0.4	0.6	V
		$I_O = 250 \text{ mA}$ , $T_A = -40 \text{ to } 125^\circ\text{C}$			0.8	V
$V_{IL}$	Control input logic low	$T_A = -40 \text{ to } 125^\circ\text{C}$			0.8	V
$V_{IH}$	Control Input Logic High	$T_A = -40 \text{ to } 125^\circ\text{C}$	2			V
$I_I$	Control input current	$V_I = 6 \text{ V}$ , $V_C = 6 \text{ V}$		10		$\mu\text{A}$
$C_O$	Output bypass capacitance	$\text{ESR} = 0.1 \text{ to } 10 \Omega$ , $I_O = 0 \text{ to } 250 \text{ mA}$	2	10		$\mu\text{F}$

1. For SO-8 package the maximum limit of load regulation and dropout is increased by 20 mV.

**Table 10. Electrical characteristics of L4931Cxx30** (refer to the test circuits,  $T_J = 25^\circ\text{C}$ ,  $C_I = 0.1 \mu\text{F}$ ,  $C_O = 2.2 \mu\text{F}$  unless otherwise specified).

Symbol	Parameter	Test conditions	Min.	Typ.	Max.	Unit
$V_O$	Output voltage	$I_O = 5 \text{ mA}$ , $V_I = 5 \text{ V}$	2.94	3	3.06	V
		$I_O = 5 \text{ mA}$ , $V_I = 5 \text{ V}$ , $T_A = -25 \text{ to } 85^\circ\text{C}$	2.88		3.12	
$V_I$	Operating input voltage	$I_O = 250 \text{ mA}$			20	V
$I_{\text{out}}$	Output current limit			300		mA
$\Delta V_O$	Line regulation	$V_I = 3.8 \text{ to } 20 \text{ V}$ , $I_O = 0.5 \text{ mA}$		3	18	mV
$\Delta V_O$	Load regulation <sup>(1)</sup>	$V_I = 4 \text{ V}$ , $I_O = 0.5 \text{ to } 250 \text{ mA}$		3	18	mV
$I_d$	Quiescent current ON MODE	$V_I = 4 \text{ to } 20 \text{ V}$ , $I_O = 0 \text{ mA}$		0.6	1	mA
		$V_I = 4 \text{ to } 20 \text{ V}$ , $I_O = 250 \text{ mA}$		4	6	
	OFF MODE	$V_I = 6 \text{ V}$		50	100	$\mu\text{A}$
SVR	Supply voltage rejection	$I_O = 5 \text{ mA}$ $V_I = 5 \pm 1 \text{ V}$	$f = 120 \text{ Hz}$		74	dB
			$f = 1 \text{ KHz}$		71	
			$f = 10 \text{ KHz}$		55	
eN	Output noise voltage	$B = 10 \text{ Hz to } 100 \text{ KHz}$		50		$\mu\text{V}$
$V_d$	Dropout voltage <sup>(1)</sup>	$I_O = 250 \text{ mA}$		0.4	0.6	V
		$I_O = 250 \text{ mA}$ , $T_A = -40 \text{ to } 125^\circ\text{C}$			0.8	V
$V_{\text{IL}}$	Control input logic low	$T_A = -40 \text{ to } 125^\circ\text{C}$			0.8	V
$V_{\text{IH}}$	Control Input Logic High	$T_A = -40 \text{ to } 125^\circ\text{C}$	2			V
$I_I$	Control input current	$V_I = 6 \text{ V}$ , $V_C = 6 \text{ V}$		10		$\mu\text{A}$
$C_O$	Output bypass capacitance	$\text{ESR} = 0.1 \text{ to } 10 \Omega$ , $I_O = 0 \text{ to } 250 \text{ mA}$	2	10		$\mu\text{F}$

1. For SO-8 package the maximum limit of load regulation and dropout is increased by 20 mV.

**Table 11. Electrical characteristics of L4931ABxx33** (refer to the test circuits,  $T_J = 25^\circ\text{C}$ ,  $C_I = 0.1 \mu\text{F}$ ,  $C_O = 2.2 \mu\text{F}$  unless otherwise specified).

Symbol	Parameter	Test conditions	Min.	Typ.	Max.	Unit
$V_O$	Output voltage	$I_O = 5 \text{ mA}$ , $V_I = 5.3 \text{ V}$	3.267	3.3	3.333	V
		$I_O = 5 \text{ mA}$ , $V_I = 5.3 \text{ V}$ , $T_A = -25 \text{ to } 85^\circ\text{C}$	3.234		3.366	
$V_I$	Operating input voltage	$I_O = 250 \text{ mA}$			20	V
$I_{\text{out}}$	Output current limit			300		mA
$\Delta V_O$	Line regulation	$V_I = 4 \text{ to } 20 \text{ V}$ , $I_O = 0.5 \text{ mA}$		3	15	mV
$\Delta V_O$	Load regulation <sup>(1)</sup>	$V_I = 4.2 \text{ V}$ , $I_O = 0.5 \text{ to } 250 \text{ mA}$		3	15	mV
$I_d$	Quiescent current ON MODE	$V_I = 4.2 \text{ to } 20 \text{ V}$ , $I_O = 0 \text{ mA}$		0.6	1	mA
		$V_I = 4.2 \text{ to } 20 \text{ V}$ , $I_O = 250 \text{ mA}$		4	6	
	OFF MODE	$V_I = 6 \text{ V}$		50	100	$\mu\text{A}$
SVR	Supply voltage rejection	$I_O = 5 \text{ mA}$ $V_I = 5.2 \pm 1 \text{ V}$	$f = 120 \text{ Hz}$		73	dB
			$f = 1 \text{ KHz}$		70	
			$f = 10 \text{ KHz}$		55	
eN	Output noise voltage	$B = 10 \text{ Hz to } 100 \text{ KHz}$		50		$\mu\text{V}$
$V_d$	Dropout voltage <sup>(1)</sup>	$I_O = 250 \text{ mA}$		0.4	0.6	V
		$I_O = 250 \text{ mA}$ , $T_A = -40 \text{ to } 125^\circ\text{C}$			0.8	V
$V_{\text{IL}}$	Control input logic low	$T_A = -40 \text{ to } 125^\circ\text{C}$			0.8	V
$V_{\text{IH}}$	Control Input Logic High	$T_A = -40 \text{ to } 125^\circ\text{C}$	2			V
$I_I$	Control input current	$V_I = 6 \text{ V}$ , $V_C = 6 \text{ V}$		10		$\mu\text{A}$
$C_O$	Output bypass capacitance	$\text{ESR} = 0.1 \text{ to } 10 \Omega$ , $I_O = 0 \text{ to } 250 \text{ mA}$	2	10		$\mu\text{F}$

1. For SO-8 package the maximum limit of load regulation and dropout is increased by 20 mV.

**Table 12. Electrical characteristics of L4931Cxx33** (refer to the test circuits,  $T_J = 25^\circ\text{C}$ ,  $C_I = 0.1 \mu\text{F}$ ,  $C_O = 2.2 \mu\text{F}$  unless otherwise specified).

Symbol	Parameter	Test conditions	Min.	Typ.	Max.	Unit
$V_O$	Output voltage	$I_O = 5 \text{ mA}$ , $V_I = 5.3 \text{ V}$	3.234	3.3	3.366	V
		$I_O = 5 \text{ mA}$ , $V_I = 5.3 \text{ V}$ , $T_A = -25 \text{ to } 85^\circ\text{C}$	3.168		3.432	
$V_I$	Operating input voltage	$I_O = 250 \text{ mA}$			20	V
$I_{\text{out}}$	Output current limit			300		mA
$\Delta V_O$	Line regulation	$V_I = 4.1 \text{ to } 20 \text{ V}$ , $I_O = 0.5 \text{ mA}$		3	18	mV
$\Delta V_O$	Load regulation <sup>(1)</sup>	$V_I = 4.3 \text{ V}$ , $I_O = 0.5 \text{ to } 250 \text{ mA}$		3	18	mV
$I_d$	Quiescent current ON MODE	$V_I = 4.3 \text{ to } 20 \text{ V}$ , $I_O = 0 \text{ mA}$		0.6	1	mA
		$V_I = 4.3 \text{ to } 20 \text{ V}$ , $I_O = 250 \text{ mA}$		4	6	
	OFF MODE	$V_I = 6 \text{ V}$		50	100	$\mu\text{A}$
SVR	Supply voltage rejection	$I_O = 5 \text{ mA}$ $V_I = 5.3 \pm 1 \text{ V}$	$f = 120 \text{ Hz}$		73	dB
			$f = 1 \text{ KHz}$		70	
			$f = 10 \text{ KHz}$		55	
eN	Output noise voltage	$B = 10 \text{ Hz to } 100 \text{ KHz}$		50		$\mu\text{V}$
$V_d$	Dropout voltage <sup>(1)</sup>	$I_O = 250 \text{ mA}$		0.4	0.6	V
		$I_O = 250 \text{ mA}$ , $T_A = -40 \text{ to } 125^\circ\text{C}$			0.8	V
$V_{\text{IL}}$	Control input logic low	$T_A = -40 \text{ to } 125^\circ\text{C}$			0.8	V
$V_{\text{IH}}$	Control Input Logic High	$T_A = -40 \text{ to } 125^\circ\text{C}$	2			V
$I_I$	Control input current	$V_I = 6 \text{ V}$ , $V_C = 6 \text{ V}$		10		$\mu\text{A}$
$C_O$	Output bypass capacitance	$\text{ESR} = 0.1 \text{ to } 10 \Omega$ , $I_O = 0 \text{ to } 250 \text{ mA}$	2	10		$\mu\text{F}$

1. For SO-8 package the maximum limit of load regulation and dropout is increased by 20 mV.

**Table 13. Electrical characteristics of L4931ABxx35** (refer to the test circuits,  $T_J = 25^\circ\text{C}$ ,  $C_I = 0.1 \mu\text{F}$ ,  $C_O = 2.2 \mu\text{F}$  unless otherwise specified).

Symbol	Parameter	Test conditions	Min.	Typ.	Max.	Unit
$V_O$	Output voltage	$I_O = 5 \text{ mA}$ , $V_I = 5.5 \text{ V}$	3.465	3.5	3.535	V
		$I_O = 5 \text{ mA}$ , $V_I = 5.5 \text{ V}$ , $T_A = -25 \text{ to } 85^\circ\text{C}$	3.43		3.57	
$V_I$	Operating input voltage	$I_O = 250 \text{ mA}$			20	V
$I_{\text{out}}$	Output current limit			300		mA
$\Delta V_O$	Line regulation	$V_I = 4.2 \text{ to } 20 \text{ V}$ , $I_O = 0.5 \text{ mA}$		3	15	mV
$\Delta V_O$	Load regulation <sup>(1)</sup>	$V_I = 4.4 \text{ V}$ , $I_O = 0.5 \text{ to } 250 \text{ mA}$		3	15	mV
$I_d$	Quiescent current ON MODE	$V_I = 4.4 \text{ to } 20 \text{ V}$ , $I_O = 0 \text{ mA}$		0.6	1	mA
		$V_I = 4.4 \text{ to } 20 \text{ V}$ , $I_O = 250 \text{ mA}$		4	6	
	OFF MODE	$V_I = 6 \text{ V}$		50	100	$\mu\text{A}$
SVR	Supply voltage rejection	$I_O = 5 \text{ mA}$ $V_I = 5.4 \pm 1 \text{ V}$	$f = 120 \text{ Hz}$		73	dB
			$f = 1 \text{ KHz}$		70	
			$f = 10 \text{ KHz}$		55	
eN	Output noise voltage	$B = 10 \text{ Hz to } 100 \text{ KHz}$		50		$\mu\text{V}$
$V_d$	Dropout voltage <sup>(1)</sup>	$I_O = 250 \text{ mA}$		0.4	0.6	V
		$I_O = 250 \text{ mA}$ , $T_A = -40 \text{ to } 125^\circ\text{C}$			0.8	V
$V_{\text{IL}}$	Control input logic low	$T_A = -40 \text{ to } 125^\circ\text{C}$			0.8	V
$V_{\text{IH}}$	Control Input Logic High	$T_A = -40 \text{ to } 125^\circ\text{C}$	2			V
$I_I$	Control input current	$V_I = 6 \text{ V}$ , $V_C = 6 \text{ V}$		10		$\mu\text{A}$
$C_O$	Output bypass capacitance	$\text{ESR} = 0.1 \text{ to } 10 \Omega$ , $I_O = 0 \text{ to } 250 \text{ mA}$	2	10		$\mu\text{F}$

1. For SO-8 package the maximum limit of load regulation and dropout is increased by 20 mV.



**Table 14. Electrical characteristics of L4931Cxx35** (refer to the test circuits,  $T_J = 25^\circ\text{C}$ ,  $C_I = 0.1 \mu\text{F}$ ,  $C_O = 2.2 \mu\text{F}$  unless otherwise specified).

Symbol	Parameter	Test conditions	Min.	Typ.	Max.	Unit
$V_O$	Output voltage	$I_O = 5 \text{ mA}$ , $V_I = 5.5 \text{ V}$	3.43	3.5	3.57	V
		$I_O = 5 \text{ mA}$ , $V_I = 5.5 \text{ V}$ , $T_A = -25$ to $85^\circ\text{C}$	3.36		3.64	
$V_I$	Operating input voltage	$I_O = 250 \text{ mA}$			20	V
$I_{\text{out}}$	Output current limit			300		mA
$\Delta V_O$	Line regulation	$V_I = 4.3$ to $20 \text{ V}$ , $I_O = 0.5 \text{ mA}$		3	18	mV
$\Delta V_O$	Load regulation <sup>(1)</sup>	$V_I = 4.5 \text{ V}$ , $I_O = 0.5$ to $250 \text{ mA}$		3	18	mV
$I_d$	Quiescent current ON MODE	$V_I = 4.5$ to $20 \text{ V}$ , $I_O = 0 \text{ mA}$		0.6	1	mA
		$V_I = 4.5$ to $20 \text{ V}$ , $I_O = 250 \text{ mA}$		4	6	
	OFF MODE	$V_I = 6 \text{ V}$		50	100	$\mu\text{A}$
SVR	Supply voltage rejection	$I_O = 5 \text{ mA}$ $V_I = 5.5 \pm 1 \text{ V}$	$f = 120 \text{ Hz}$		73	dB
			$f = 1 \text{ KHz}$		70	
			$f = 10 \text{ KHz}$		55	
eN	Output noise voltage	B = 10 Hz to 100 KHz		50		$\mu\text{V}$
$V_d$	Dropout voltage <sup>(1)</sup>	$I_O = 250 \text{ mA}$		0.4	0.6	V
		$I_O = 250 \text{ mA}$ , $T_A = -40$ to $125^\circ\text{C}$			0.8	V
$V_{\text{IL}}$	Control input logic low	$T_A = -40$ to $125^\circ\text{C}$			0.8	V
$V_{\text{IH}}$	Control Input Logic High	$T_A = -40$ to $125^\circ\text{C}$	2			V
$I_I$	Control input current	$V_I = 6 \text{ V}$ , $V_C = 6 \text{ V}$		10		$\mu\text{A}$
$C_O$	Output bypass capacitance	ESR = 0.1 to 10 $\Omega$ , $I_O = 0$ to $250 \text{ mA}$	2	10		$\mu\text{F}$

1. For SO-8 package the maximum limit of load regulation and dropout is increased by 20 mV.

**Table 15. Electrical characteristics of L4931ABxx40** (refer to the test circuits,  $T_J = 25^\circ\text{C}$ ,  $C_I = 0.1 \mu\text{F}$ ,  $C_O = 2.2 \mu\text{F}$  unless otherwise specified).

Symbol	Parameter	Test conditions	Min.	Typ.	Max.	Unit
$V_O$	Output voltage	$I_O = 5 \text{ mA}$ , $V_I = 6 \text{ V}$	3.96	4	4.04	V
		$I_O = 5 \text{ mA}$ , $V_I = 6 \text{ V}$ , $T_A = -25 \text{ to } 85^\circ\text{C}$	3.92		4.08	
$V_I$	Operating input voltage	$I_O = 250 \text{ mA}$			20	V
$I_{out}$	Output current limit			300		mA
$\Delta V_O$	Line regulation	$V_I = 4.7 \text{ to } 20 \text{ V}$ , $I_O = 0.5 \text{ mA}$		3.5	17.5	mV
$\Delta V_O$	Load regulation <sup>(1)</sup>	$V_I = 4.9 \text{ V}$ , $I_O = 0.5 \text{ to } 250 \text{ mA}$		3	15	mV
$I_d$	Quiescent current ON MODE	$V_I = 4.9 \text{ to } 20 \text{ V}$ , $I_O = 0 \text{ mA}$		0.6	1	mA
		$V_I = 4.9 \text{ to } 20 \text{ V}$ , $I_O = 250 \text{ mA}$		4	6	
	OFF MODE	$V_I = 6 \text{ V}$		50	100	$\mu\text{A}$
SVR	Supply voltage rejection	$I_O = 5 \text{ mA}$ $V_I = 5.9 \pm 1 \text{ V}$	$f = 120 \text{ Hz}$		72	dB
			$f = 1 \text{ KHz}$		69	
			$f = 10 \text{ KHz}$		55	
eN	Output noise voltage	$B = 10 \text{ Hz to } 100 \text{ KHz}$		50		$\mu\text{V}$
$V_d$	Dropout voltage <sup>(1)</sup>	$I_O = 250 \text{ mA}$		0.4	0.6	V
		$I_O = 250 \text{ mA}$ , $T_A = -40 \text{ to } 125^\circ\text{C}$			0.8	V
$V_{IL}$	Control input logic low	$T_A = -40 \text{ to } 125^\circ\text{C}$			0.8	V
$V_{IH}$	Control Input Logic High	$T_A = -40 \text{ to } 125^\circ\text{C}$	2			V
$I_I$	Control input current	$V_I = 6 \text{ V}$ , $V_C = 6 \text{ V}$		10		$\mu\text{A}$
$C_O$	Output bypass capacitance	$\text{ESR} = 0.1 \text{ to } 10 \Omega$ , $I_O = 0 \text{ to } 250 \text{ mA}$	2	10		$\mu\text{F}$

1. For SO-8 package the maximum limit of load regulation and dropout is increased by 20 mV.

**Table 16. Electrical characteristics of L4931Cxx40** (refer to the test circuits,  $T_J = 25^\circ\text{C}$ ,  $C_I = 0.1 \mu\text{F}$ ,  $C_O = 2.2 \mu\text{F}$  unless otherwise specified).

Symbol	Parameter	Test conditions	Min.	Typ.	Max.	Unit
$V_O$	Output voltage	$I_O = 5 \text{ mA}$ , $V_I = 6 \text{ V}$	3.92	4	4.08	V
		$I_O = 5 \text{ mA}$ , $V_I = 6 \text{ V}$ , $T_A = -25 \text{ to } 85^\circ\text{C}$	3.84		4.16	
$V_I$	Operating input voltage	$I_O = 250 \text{ mA}$			20	V
$I_{\text{out}}$	Output current limit			300		mA
$\Delta V_O$	Line regulation	$V_I = 4.8 \text{ to } 20 \text{ V}$ , $I_O = 0.5 \text{ mA}$		3.5	21	mV
$\Delta V_O$	Load regulation <sup>(1)</sup>	$V_I = 5 \text{ V}$ , $I_O = 0.5 \text{ to } 250 \text{ mA}$		3	18	mV
$I_d$	Quiescent current ON MODE	$V_I = 5 \text{ to } 20 \text{ V}$ , $I_O = 0 \text{ mA}$		0.6	1	mA
		$V_I = 5 \text{ to } 20 \text{ V}$ , $I_O = 250 \text{ mA}$		4	6	
	OFF MODE	$V_I = 6 \text{ V}$		50	100	$\mu\text{A}$
SVR	Supply voltage rejection	$I_O = 5 \text{ mA}$ $V_I = 6 \pm 1 \text{ V}$	$f = 120 \text{ Hz}$		72	dB
			$f = 1 \text{ KHz}$		69	
			$f = 10 \text{ KHz}$		55	
eN	Output noise voltage	$B = 10 \text{ Hz to } 100 \text{ KHz}$		50		$\mu\text{V}$
$V_d$	Dropout voltage <sup>(1)</sup>	$I_O = 250 \text{ mA}$		0.4	0.6	V
		$I_O = 250 \text{ mA}$ , $T_A = -40 \text{ to } 125^\circ\text{C}$			0.8	V
$V_{\text{IL}}$	Control input logic low	$T_A = -40 \text{ to } 125^\circ\text{C}$			0.8	V
$V_{\text{IH}}$	Control Input Logic High	$T_A = -40 \text{ to } 125^\circ\text{C}$	2			V
$I_I$	Control input current	$V_I = 6 \text{ V}$ , $V_C = 6 \text{ V}$		10		$\mu\text{A}$
$C_O$	Output bypass capacitance	$\text{ESR} = 0.1 \text{ to } 10 \Omega$ , $I_O = 0 \text{ to } 250 \text{ mA}$	2	10		$\mu\text{F}$

1. For SO-8 package the maximum limit of load regulation and dropout is increased by 20 mV.

**Table 17. Electrical characteristics of L4931ABxx47** (refer to the test circuits,  $T_J = 25^\circ\text{C}$ ,  $C_I = 0.1 \mu\text{F}$ ,  $C_O = 2.2 \mu\text{F}$  unless otherwise specified).

Symbol	Parameter	Test conditions	Min.	Typ.	Max.	Unit
$V_O$	Output voltage	$I_O = 5 \text{ mA}$ , $V_I = 6.7 \text{ V}$	4.653	4.7	4.747	V
		$I_O = 5 \text{ mA}$ , $V_I = 6.7 \text{ V}$ , $T_A = -25 \text{ to } 85^\circ\text{C}$	4.606		4.794	
$V_I$	Operating input voltage	$I_O = 250 \text{ mA}$			20	V
$I_{out}$	Output current limit			300		mA
$\Delta V_O$	Line regulation	$V_I = 5.4 \text{ to } 20 \text{ V}$ , $I_O = 0.5 \text{ mA}$		3.5	17.5	mV
$\Delta V_O$	Load regulation <sup>(1)</sup>	$V_I = 5.6 \text{ V}$ , $I_O = 0.5 \text{ to } 250 \text{ mA}$		3	15	mV
$I_d$	Quiescent current ON MODE	$V_I = 5.6 \text{ to } 20 \text{ V}$ , $I_O = 0 \text{ mA}$		0.6	1	mA
		$V_I = 5.6 \text{ to } 20 \text{ V}$ , $I_O = 250 \text{ mA}$		4	6	
	OFF MODE	$V_I = 6 \text{ V}$		50	100	$\mu\text{A}$
SVR	Supply voltage rejection	$I_O = 5 \text{ mA}$ $V_I = 6.6 \pm 1 \text{ V}$	$f = 120 \text{ Hz}$		71	dB
			$f = 1 \text{ KHz}$		68	
			$f = 10 \text{ KHz}$		55	
eN	Output noise voltage	$B = 10 \text{ Hz to } 100 \text{ KHz}$		50		$\mu\text{V}$
$V_d$	Dropout voltage <sup>(1)</sup>	$I_O = 250 \text{ mA}$		0.4	0.6	V
		$I_O = 250 \text{ mA}$ , $T_A = -40 \text{ to } 125^\circ\text{C}$			0.8	V
$V_{IL}$	Control input logic low	$T_A = -40 \text{ to } 125^\circ\text{C}$			0.8	V
$V_{IH}$	Control Input Logic High	$T_A = -40 \text{ to } 125^\circ\text{C}$	2			V
$I_I$	Control input current	$V_I = 6 \text{ V}$ , $V_C = 6 \text{ V}$		10		$\mu\text{A}$
$C_O$	Output bypass capacitance	$\text{ESR} = 0.1 \text{ to } 10 \Omega$ , $I_O = 0 \text{ to } 250 \text{ mA}$	2	10		$\mu\text{F}$

1. For SO-8 package the maximum limit of load regulation and dropout is increased by 20 mV.

**Table 18. Electrical characteristics of L4931Cxx47** (refer to the test circuits,  $T_J = 25^\circ\text{C}$ ,  $C_I = 0.1 \mu\text{F}$ ,  $C_O = 2.2 \mu\text{F}$  unless otherwise specified).

Symbol	Parameter	Test conditions	Min.	Typ.	Max.	Unit
$V_O$	Output voltage	$I_O = 5 \text{ mA}$ , $V_I = 6.7 \text{ V}$	4.606	4.7	4.794	V
		$I_O = 5 \text{ mA}$ , $V_I = 6.7 \text{ V}$ , $T_A = -25 \text{ to } 85^\circ\text{C}$	4.512		4.888	
$V_I$	Operating input voltage	$I_O = 250 \text{ mA}$			20	V
$I_{\text{out}}$	Output current limit			300		mA
$\Delta V_O$	Line regulation	$V_I = 5.5 \text{ to } 20 \text{ V}$ , $I_O = 0.5 \text{ mA}$		3.5	21	mV
$\Delta V_O$	Load regulation <sup>(1)</sup>	$V_I = 5.7 \text{ V}$ , $I_O = 0.5 \text{ to } 250 \text{ mA}$		3	18	mV
$I_d$	Quiescent current ON MODE	$V_I = 5.7 \text{ to } 20 \text{ V}$ , $I_O = 0 \text{ mA}$		0.6	1	mA
		$V_I = 5.7 \text{ to } 20 \text{ V}$ , $I_O = 250 \text{ mA}$		4	6	
	OFF MODE	$V_I = 6 \text{ V}$		50	100	$\mu\text{A}$
SVR	Supply voltage rejection	$I_O = 5 \text{ mA}$ $V_I = 6.7 \pm 1 \text{ V}$	$f = 120 \text{ Hz}$		71	dB
			$f = 1 \text{ KHz}$		68	
			$f = 10 \text{ KHz}$		55	
eN	Output noise voltage	$B = 10 \text{ Hz to } 100 \text{ KHz}$		50		$\mu\text{V}$
$V_d$	Dropout voltage <sup>(1)</sup>	$I_O = 250 \text{ mA}$		0.4	0.6	V
		$I_O = 250 \text{ mA}$ , $T_A = -40 \text{ to } 125^\circ\text{C}$			0.8	V
$V_{\text{IL}}$	Control input logic low	$T_A = -40 \text{ to } 125^\circ\text{C}$			0.8	V
$V_{\text{IH}}$	Control Input Logic High	$T_A = -40 \text{ to } 125^\circ\text{C}$	2			V
$I_I$	Control input current	$V_I = 6 \text{ V}$ , $V_C = 6 \text{ V}$		10		$\mu\text{A}$
$C_O$	Output bypass capacitance	$\text{ESR} = 0.1 \text{ to } 10 \Omega$ , $I_O = 0 \text{ to } 250 \text{ mA}$	2	10		$\mu\text{F}$

1. For SO-8 package the maximum limit of load regulation and dropout is increased by 20 mV.

**Table 19. Electrical characteristics of L4931ABxx50** (refer to the test circuits,  $T_J = 25^\circ\text{C}$ ,  $C_I = 0.1 \mu\text{F}$ ,  $C_O = 2.2 \mu\text{F}$  unless otherwise specified).

Symbol	Parameter	Test conditions	Min.	Typ.	Max.	Unit
$V_O$	Output voltage	$I_O = 5 \text{ mA}$ , $V_I = 7 \text{ V}$	4.95	5	5.05	V
		$I_O = 5 \text{ mA}$ , $V_I = 7 \text{ V}$ , $T_A = -25 \text{ to } 85^\circ\text{C}$	4.9		5.1	
$V_I$	Operating input voltage	$I_O = 250 \text{ mA}$			20	V
$I_{\text{out}}$	Output current limit			300		mA
$\Delta V_O$	Line regulation	$V_I = 5.8 \text{ to } 20 \text{ V}$ , $I_O = 0.5 \text{ mA}$		3.5	17.5	mV
$\Delta V_O$	Load regulation <sup>(1)</sup>	$V_I = 6 \text{ V}$ , $I_O = 0.5 \text{ to } 250 \text{ mA}$		3	15	mV
$I_d$	Quiescent current ON MODE	$V_I = 6 \text{ to } 20 \text{ V}$ , $I_O = 0 \text{ mA}$		0.6	1	mA
		$V_I = 6 \text{ to } 20 \text{ V}$ , $I_O = 250 \text{ mA}$		4	6	
	OFF MODE	$V_I = 6 \text{ V}$		50	100	$\mu\text{A}$
SVR	Supply voltage rejection	$I_O = 5 \text{ mA}$ $V_I = 7 \pm 1 \text{ V}$	$f = 120 \text{ Hz}$		70	dB
			$f = 1 \text{ KHz}$		67	
			$f = 10 \text{ KHz}$		55	
eN	Output noise voltage	B = 10 Hz to 100 KHz		50		$\mu\text{V}$
$V_d$	Dropout voltage <sup>(1)</sup>	$I_O = 250 \text{ mA}$		0.4	0.6	V
		$I_O = 250 \text{ mA}$ , $T_A = -40 \text{ to } 125^\circ\text{C}$			0.8	V
$V_{\text{IL}}$	Control input logic low	$T_A = -40 \text{ to } 125^\circ\text{C}$			0.8	V
$V_{\text{IH}}$	Control Input Logic High	$T_A = -40 \text{ to } 125^\circ\text{C}$	2			V
$I_I$	Control input current	$V_I = 6 \text{ V}$ , $V_C = 6 \text{ V}$		10		$\mu\text{A}$
$C_O$	Output bypass capacitance	ESR = 0.1 to 10 $\Omega$ , $I_O = 0 \text{ to } 250 \text{ mA}$	2	10		$\mu\text{F}$

1. For SO-8 package the maximum limit of load regulation and dropout is increased by 20 mV.

**Table 20. Electrical characteristics of L4931Cxx50** (refer to the test circuits,  $T_J = 25^\circ\text{C}$ ,  $C_I = 0.1 \mu\text{F}$ ,  $C_O = 2.2 \mu\text{F}$  unless otherwise specified).

Symbol	Parameter	Test conditions	Min.	Typ.	Max.	Unit
$V_O$	Output voltage	$I_O = 5 \text{ mA}$ , $V_I = 7 \text{ V}$	4.9	5	5.1	V
		$I_O = 5 \text{ mA}$ , $V_I = 7 \text{ V}$ , $T_A = -25 \text{ to } 85^\circ\text{C}$	4.8		5.2	
$V_I$	Operating input voltage	$I_O = 250 \text{ mA}$			20	V
$I_{\text{out}}$	Output current limit			300		mA
$\Delta V_O$	Line regulation	$V_I = 5.8 \text{ to } 20 \text{ V}$ , $I_O = 0.5 \text{ mA}$		3.5	17.5	mV
$\Delta V_O$	Load regulation <sup>(1)</sup>	$V_I = 6 \text{ V}$ , $I_O = 0.5 \text{ to } 250 \text{ mA}$		3	15	mV
$I_d$	Quiescent current ON MODE	$V_I = 6 \text{ to } 20 \text{ V}$ , $I_O = 0 \text{ mA}$		0.6	1	mA
		$V_I = 6 \text{ to } 20 \text{ V}$ , $I_O = 250 \text{ mA}$		4	6	
	OFF MODE	$V_I = 6 \text{ V}$		50	100	$\mu\text{A}$
SVR	Supply voltage rejection	$I_O = 5 \text{ mA}$ $V_I = 7 \pm 1 \text{ V}$	$f = 120 \text{ Hz}$		70	dB
			$f = 1 \text{ KHz}$		67	
			$f = 10 \text{ KHz}$		55	
eN	Output noise voltage	$B = 10 \text{ Hz to } 100 \text{ KHz}$		50		$\mu\text{V}$
$V_d$	Dropout voltage <sup>(1)</sup>	$I_O = 250 \text{ mA}$		0.4	0.6	V
		$I_O = 250 \text{ mA}$ , $T_A = -40 \text{ to } 125^\circ\text{C}$			0.8	V
$V_{\text{IL}}$	Control input logic low	$T_A = -40 \text{ to } 125^\circ\text{C}$			0.8	V
$V_{\text{IH}}$	Control Input Logic High	$T_A = -40 \text{ to } 125^\circ\text{C}$	2			V
$I_I$	Control input current	$V_I = 6 \text{ V}$ , $V_C = 6 \text{ V}$		10		$\mu\text{A}$
$C_O$	Output bypass capacitance	$\text{ESR} = 0.1 \text{ to } 10 \Omega$ , $I_O = 0 \text{ to } 250 \text{ mA}$	2	10		$\mu\text{F}$

1. For SO-8 package the maximum limit of load regulation and dropout is increased by 20 mV.

**Table 21. Electrical characteristics of L4931ABxx80** (refer to the test circuits,  $T_J = 25^\circ\text{C}$ ,  $C_I = 0.1 \mu\text{F}$ ,  $C_O = 2.2 \mu\text{F}$  unless otherwise specified).

Symbol	Parameter	Test conditions	Min.	Typ.	Max.	Unit
$V_O$	Output voltage	$I_O = 5 \text{ mA}$ , $V_I = 10 \text{ V}$	7.92	8	8.08	V
		$I_O = 5 \text{ mA}$ , $V_I = 10 \text{ V}$ , $T_A = -25 \text{ to } 85^\circ\text{C}$	7.84		8.16	
$V_I$	Operating input voltage	$I_O = 250 \text{ mA}$			20	V
$I_{\text{out}}$	Output current limit			300		mA
$\Delta V_O$	Line regulation	$V_I = 8.8 \text{ to } 20 \text{ V}$ , $I_O = 0.5 \text{ mA}$		4	20	mV
$\Delta V_O$	Load regulation <sup>(1)</sup>	$V_I = 9 \text{ V}$ , $I_O = 0.5 \text{ to } 250 \text{ mA}$		3	15	mV
$I_d$	Quiescent current ON MODE	$V_I = 9 \text{ to } 20 \text{ V}$ , $I_O = 0 \text{ mA}$		0.8	1.6	mA
		$V_I = 9 \text{ to } 20 \text{ V}$ , $I_O = 250 \text{ mA}$		4.5	7	
	OFF MODE	$V_I = 6 \text{ V}$		70	140	$\mu\text{A}$
SVR	Supply voltage rejection	$I_O = 5 \text{ mA}$ $V_I = 10 \pm 1 \text{ V}$	$f = 120 \text{ Hz}$		67	dB
			$f = 1 \text{ KHz}$		64	
			$f = 10 \text{ KHz}$		55	
eN	Output noise voltage	$B = 10 \text{ Hz to } 100 \text{ KHz}$		50		$\mu\text{V}$
$V_d$	Dropout voltage <sup>(1)</sup>	$I_O = 250 \text{ mA}$		0.4	0.6	V
		$I_O = 250 \text{ mA}$ , $T_A = -40 \text{ to } 125^\circ\text{C}$			0.8	V
$V_{\text{IL}}$	Control input logic low	$T_A = -40 \text{ to } 125^\circ\text{C}$			0.8	V
$V_{\text{IH}}$	Control Input Logic High	$T_A = -40 \text{ to } 125^\circ\text{C}$	2			V
$I_I$	Control input current	$V_I = 6 \text{ V}$ , $V_C = 6 \text{ V}$		10		$\mu\text{A}$
$C_O$	Output bypass capacitance	$\text{ESR} = 0.1 \text{ to } 10 \Omega$ , $I_O = 0 \text{ to } 250 \text{ mA}$	2	10		$\mu\text{F}$

1. For SO-8 package the maximum limit of load regulation and dropout is increased by 20 mV.



**Table 22. Electrical characteristics of L4931Cxx80** (refer to the test circuits,  $T_J = 25^\circ\text{C}$ ,  $C_I = 0.1 \mu\text{F}$ ,  $C_O = 2.2 \mu\text{F}$  unless otherwise specified).

Symbol	Parameter	Test conditions	Min.	Typ.	Max.	Unit
$V_O$	Output voltage	$I_O = 5 \text{ mA}$ , $V_I = 10 \text{ V}$	7.84	8	8.16	V
		$I_O = 5 \text{ mA}$ , $V_I = 10 \text{ V}$ , $T_A = -25 \text{ to } 85^\circ\text{C}$	7.68		8.32	
$V_I$	Operating input voltage	$I_O = 250 \text{ mA}$			20	V
$I_{\text{out}}$	Output current limit			300		mA
$\Delta V_O$	Line regulation	$V_I = 8.9 \text{ to } 20 \text{ V}$ , $I_O = 0.5 \text{ mA}$		4	24	mV
$\Delta V_O$	Load regulation <sup>(1)</sup>	$V_I = 9.1 \text{ V}$ , $I_O = 0.5 \text{ to } 250 \text{ mA}$		3	18	mV
$I_d$	Quiescent current ON MODE	$V_I = 9.1 \text{ to } 20 \text{ V}$ , $I_O = 0 \text{ mA}$		0.8	1.6	mA
		$V_I = 9.1 \text{ to } 20 \text{ V}$ , $I_O = 250 \text{ mA}$		4.5	7	
	OFF MODE	$V_I = 6 \text{ V}$		70	140	$\mu\text{A}$
SVR	Supply voltage rejection	$I_O = 5 \text{ mA}$ $V_I = 10.1 \pm 1 \text{ V}$	$f = 120 \text{ Hz}$		67	dB
			$f = 1 \text{ KHz}$		64	
			$f = 10 \text{ KHz}$		55	
eN	Output noise voltage	$B = 10 \text{ Hz to } 100 \text{ KHz}$		50		$\mu\text{V}$
$V_d$	Dropout voltage <sup>(1)</sup>	$I_O = 250 \text{ mA}$		0.4	0.6	V
		$I_O = 250 \text{ mA}$ , $T_A = -40 \text{ to } 125^\circ\text{C}$			0.8	V
$V_{\text{IL}}$	Control input logic low	$T_A = -40 \text{ to } 125^\circ\text{C}$			0.8	V
$V_{\text{IH}}$	Control Input Logic High	$T_A = -40 \text{ to } 125^\circ\text{C}$	2			V
$I_I$	Control input current	$V_I = 6 \text{ V}$ , $V_C = 6 \text{ V}$		10		$\mu\text{A}$
$C_O$	Output bypass capacitance	$\text{ESR} = 0.1 \text{ to } 10 \Omega$ , $I_O = 0 \text{ to } 250 \text{ mA}$	2	10		$\mu\text{F}$

1. For SO-8 package the maximum limit of load regulation and dropout is increased by 20 mV.

**Table 23. Electrical characteristics of L4931ABxx120** (refer to the test circuits,  $T_J = 25^\circ\text{C}$ ,  $C_I = 0.1 \mu\text{F}$ ,  $C_O = 2.2 \mu\text{F}$  unless otherwise specified).

Symbol	Parameter	Test conditions	Min.	Typ.	Max.	Unit
$V_O$	Output voltage	$I_O = 5 \text{ mA}$ , $V_I = 14 \text{ V}$	11.88	12	12.12	V
		$I_O = 5 \text{ mA}$ , $V_I = 14 \text{ V}$ , $T_A = -25 \text{ to } 85^\circ\text{C}$	11.76		12.24	
$V_I$	Operating input voltage	$I_O = 250 \text{ mA}$			20	V
$I_{\text{out}}$	Output current limit			300		mA
$\Delta V_O$	Line regulation	$V_I = 12.8 \text{ to } 20 \text{ V}$ , $I_O = 0.5 \text{ mA}$		4	20	mV
$\Delta V_O$	Load regulation <sup>(1)</sup>	$V_I = 13 \text{ V}$ , $I_O = 0.5 \text{ to } 250 \text{ mA}$		3	15	mV
$I_d$	Quiescent current ON MODE	$V_I = 13 \text{ to } 20 \text{ V}$ , $I_O = 0 \text{ mA}$		0.8	1.6	mA
		$V_I = 13 \text{ to } 20 \text{ V}$ , $I_O = 250 \text{ mA}$		4.5	7	
	OFF MODE	$V_I = 6 \text{ V}$		90	180	$\mu\text{A}$
SVR	Supply voltage rejection	$I_O = 5 \text{ mA}$ $V_I = 14 \pm 1 \text{ V}$	$f = 120 \text{ Hz}$		64	dB
			$f = 1 \text{ KHz}$		61	
			$f = 10 \text{ KHz}$		55	
eN	Output noise voltage	$B = 10 \text{ Hz to } 100 \text{ KHz}$		50		$\mu\text{V}$
$V_d$	Dropout voltage <sup>(1)</sup>	$I_O = 250 \text{ mA}$		0.4	0.6	V
		$I_O = 250 \text{ mA}$ , $T_A = -40 \text{ to } 125^\circ\text{C}$			0.8	V
$V_{\text{IL}}$	Control input logic low	$T_A = -40 \text{ to } 125^\circ\text{C}$			0.8	V
$V_{\text{IH}}$	Control Input Logic High	$T_A = -40 \text{ to } 125^\circ\text{C}$	2			V
$I_I$	Control input current	$V_I = 6 \text{ V}$ , $V_C = 6 \text{ V}$		10		$\mu\text{A}$
$C_O$	Output bypass capacitance	$\text{ESR} = 0.1 \text{ to } 10 \Omega$ , $I_O = 0 \text{ to } 250 \text{ mA}$	2	10		$\mu\text{F}$

1. For SO-8 package the maximum limit of load regulation and dropout is increased by 20 mV.

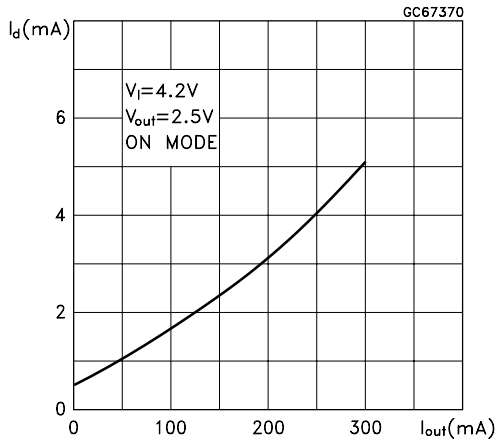
**Table 24. Electrical characteristics of L4931Cxx120** (refer to the test circuits,  $T_J = 25^\circ\text{C}$ ,  $C_I = 0.1 \mu\text{F}$ ,  $C_O = 2.2 \mu\text{F}$  unless otherwise specified).

Symbol	Parameter	Test conditions	Min.	Typ.	Max.	Unit
$V_O$	Output voltage	$I_O = 5 \text{ mA}$ , $V_I = 14 \text{ V}$	11.76	12	12.24	V
		$I_O = 5 \text{ mA}$ , $V_I = 14 \text{ V}$ , $T_A = -25 \text{ to } 85^\circ\text{C}$	11.52		12.48	
$V_I$	Operating input voltage	$I_O = 250 \text{ mA}$			20	V
$I_{\text{out}}$	Output current limit			300		mA
$\Delta V_O$	Line regulation	$V_I = 12.9 \text{ to } 20 \text{ V}$ , $I_O = 0.5 \text{ mA}$		4	24	mV
$\Delta V_O$	Load regulation <sup>(1)</sup>	$V_I = 13.1 \text{ V}$ , $I_O = 0.5 \text{ to } 250 \text{ mA}$		3	18	mV
$I_d$	Quiescent current ON MODE	$V_I = 13.1 \text{ to } 20 \text{ V}$ , $I_O = 0 \text{ mA}$		0.8	1.6	mA
		$V_I = 13.1 \text{ to } 20 \text{ V}$ , $I_O = 250 \text{ mA}$		4.5	7	
	OFF MODE	$V_I = 6 \text{ V}$		90	180	$\mu\text{A}$
SVR	Supply voltage rejection	$I_O = 5 \text{ mA}$ $V_I = 14.1 \pm 1 \text{ V}$	$f = 120 \text{ Hz}$		64	dB
			$f = 1 \text{ KHz}$		61	
			$f = 10 \text{ KHz}$		55	
eN	Output noise voltage	$B = 10 \text{ Hz to } 100 \text{ KHz}$		50		$\mu\text{V}$
$V_d$	Dropout voltage <sup>(1)</sup>	$I_O = 250 \text{ mA}$		0.4	0.6	V
		$I_O = 250 \text{ mA}$ , $T_A = -40 \text{ to } 125^\circ\text{C}$			0.8	V
$V_{\text{IL}}$	Control input logic low	$T_A = -40 \text{ to } 125^\circ\text{C}$			0.8	V
$V_{\text{IH}}$	Control Input Logic High	$T_A = -40 \text{ to } 125^\circ\text{C}$	2			V
$I_I$	Control input current	$V_I = 6 \text{ V}$ , $V_C = 6 \text{ V}$		10		$\mu\text{A}$
$C_O$	Output bypass capacitance	$\text{ESR} = 0.1 \text{ to } 10 \Omega$ , $I_O = 0 \text{ to } 250 \text{ mA}$	2	10		$\mu\text{F}$

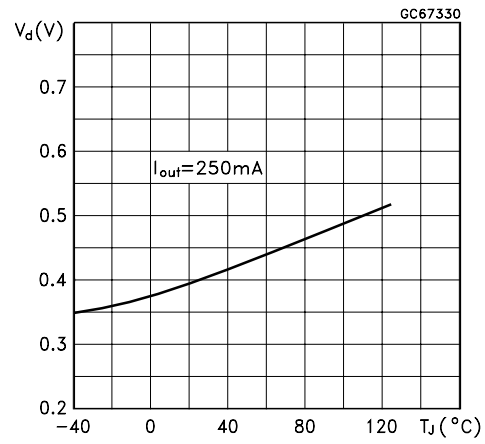
1. For SO-8 package the maximum limit of load regulation and dropout is increased by 20 mV.

# 5 Typical application

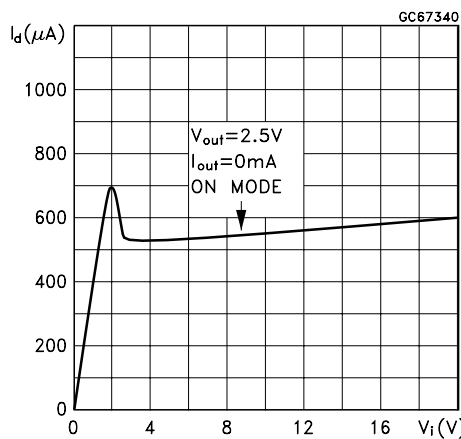
**Figure 3. Supply current vs output current**



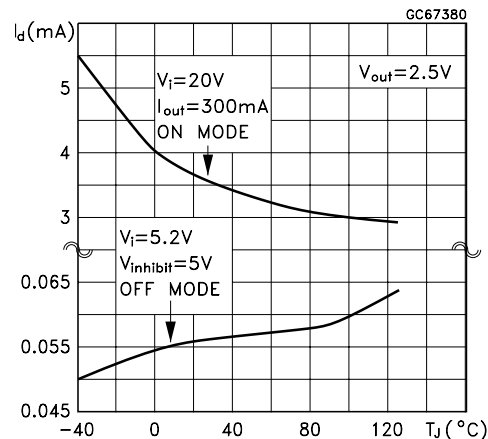
**Figure 4. Dropout voltage vs temperature**



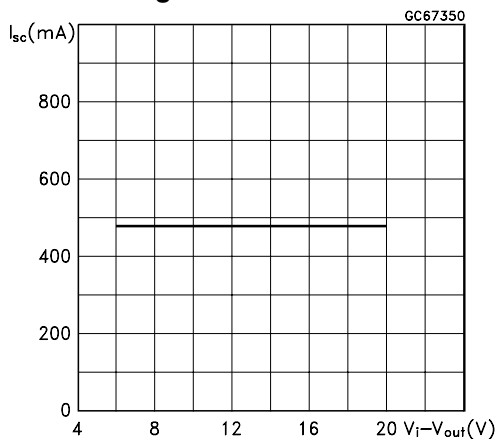
**Figure 5. Supply current vs input voltage**



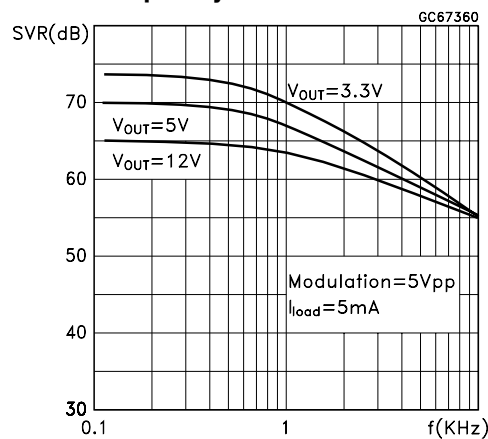
**Figure 6. Supply current vs temperature**



**Figure 7. Short circuit current vs dropout voltage**



**Figure 8. S.V.R. vs Input voltage signal frequency**

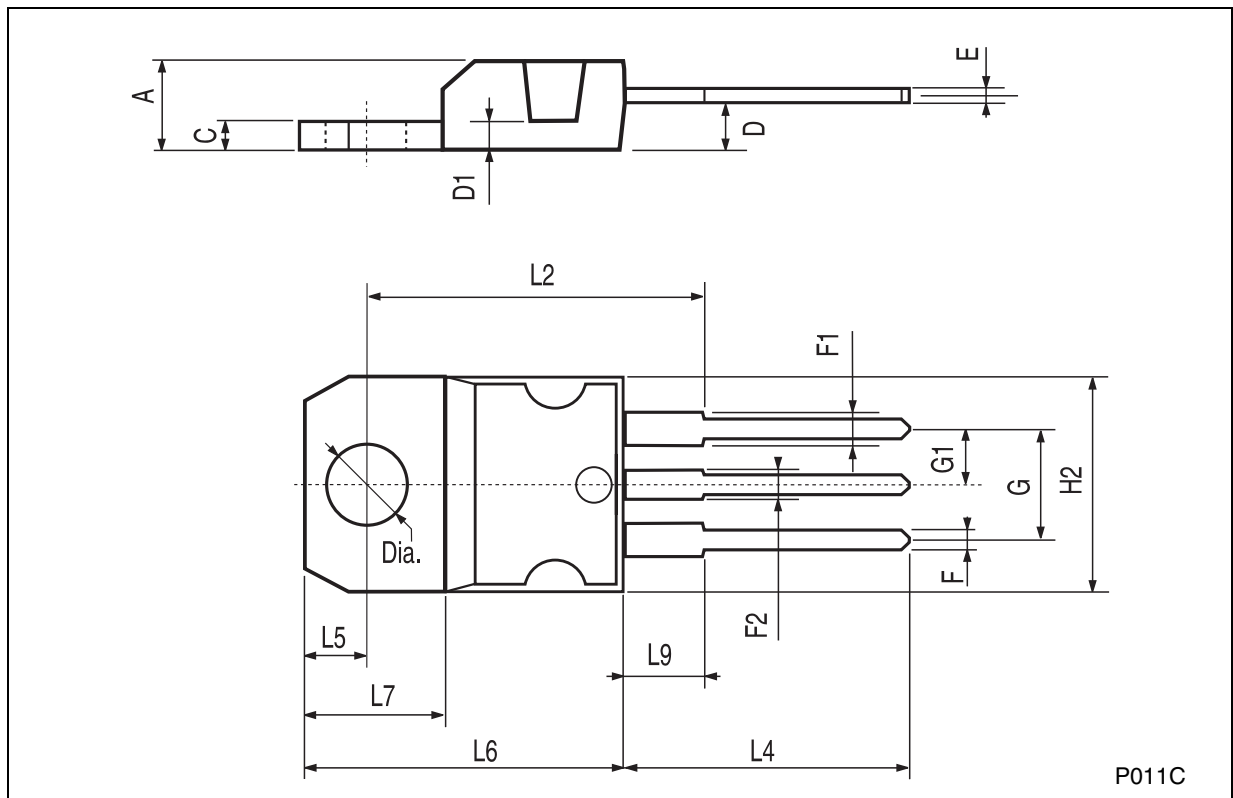


## 6 Package mechanical data

In order to meet environmental requirements, ST offers these devices in ECOPACK® packages. These packages have a Lead-free second level interconnect. The category of second Level Interconnect is marked on the package and on the inner box label, in compliance with JEDEC Standard JESD97. The maximum ratings related to soldering conditions are also marked on the inner box label. ECOPACK is an ST trademark. ECOPACK specifications are available at: [www.st.com](http://www.st.com).

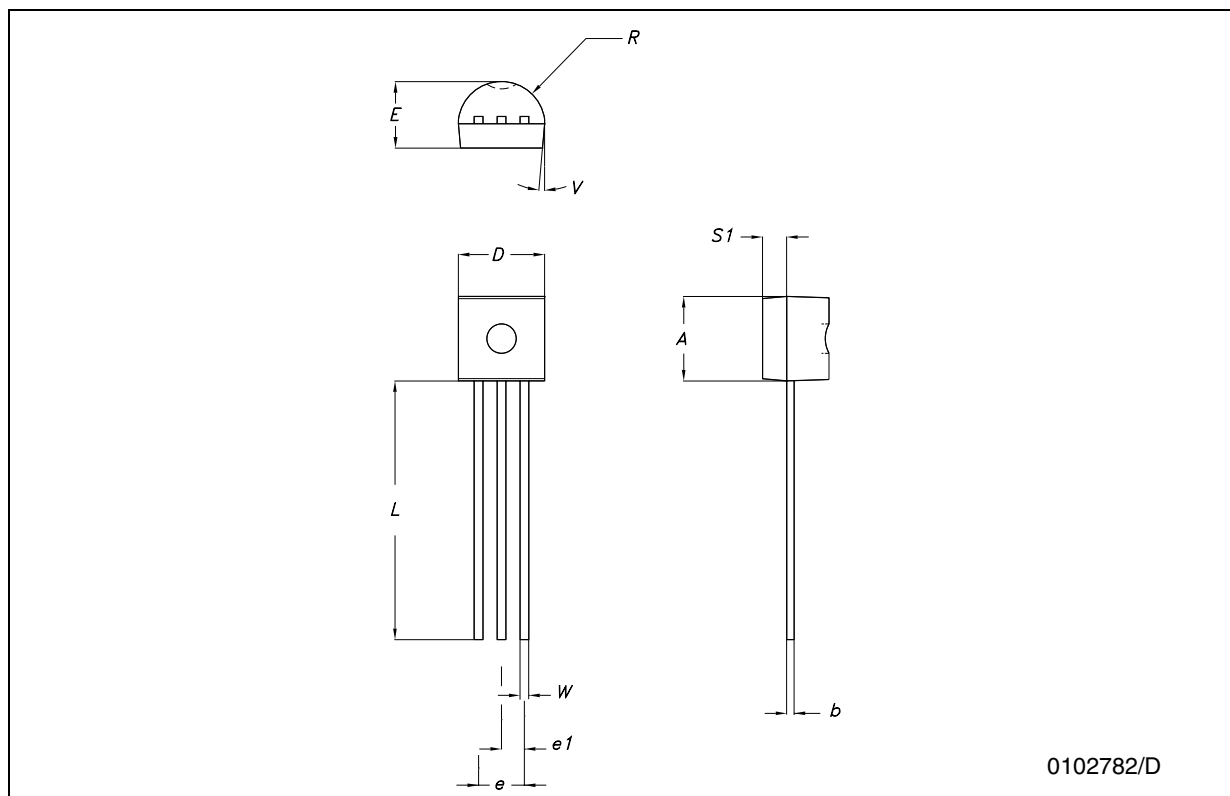
**TO-220 MECHANICAL DATA**

DIM.	mm.			inch		
	MIN.	TYP	MAX.	MIN.	TYP.	MAX.
A	4.40		4.60	0.173		0.181
C	1.23		1.32	0.048		0.051
D	2.40		2.72	0.094		0.107
D1		1.27			0.050	
E	0.49		0.70	0.019		0.027
F	0.61		0.88	0.024		0.034
F1	1.14		1.70	0.044		0.067
F2	1.14		1.70	0.044		0.067
G	4.95		5.15	0.194		0.203
G1	2.4		2.7	0.094		0.106
H2	10.0		10.40	0.393		0.409
L2		16.4			0.645	
L4	13.0		14.0	0.511		0.551
L5	2.65		2.95	0.104		0.116
L6	15.25		15.75	0.600		0.620
L7	6.2		6.6	0.244		0.260
L9	3.5		3.93	0.137		0.154
DIA.	3.75		3.85	0.147		0.151



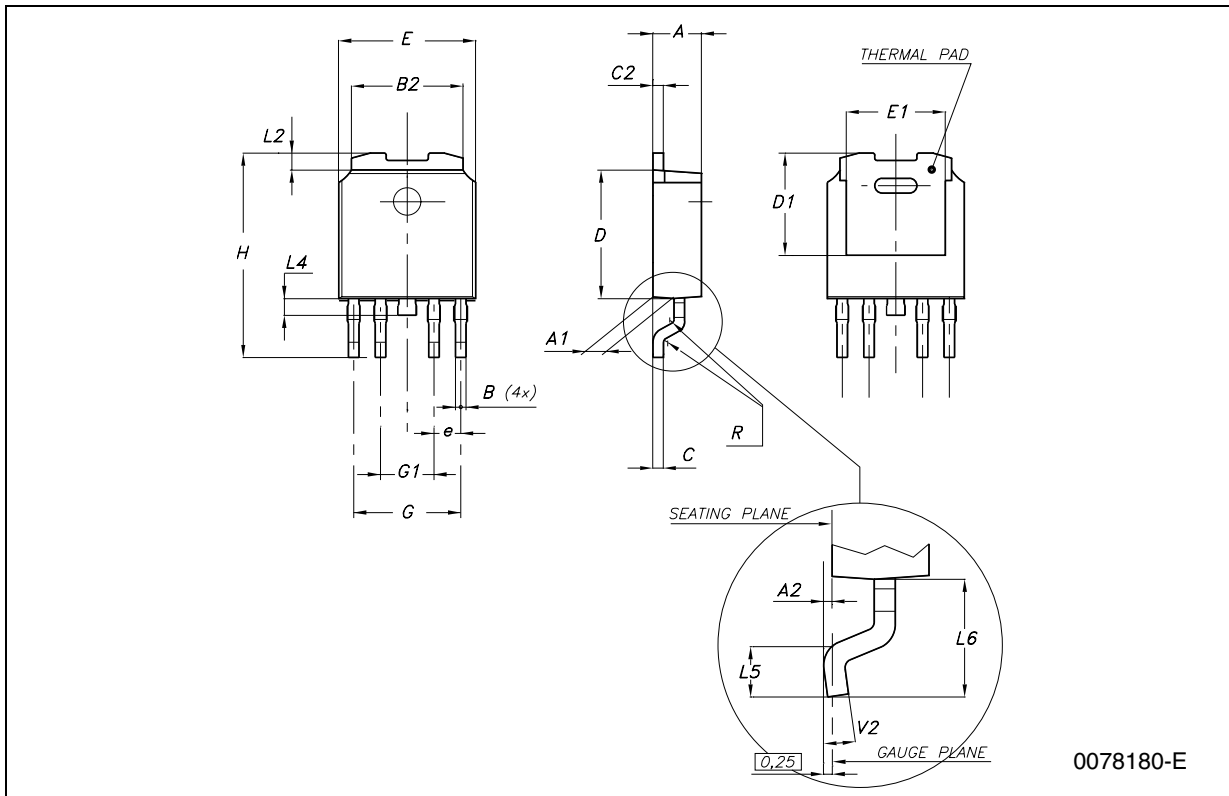
## TO-92 MECHANICAL DATA

DIM.	mm.			mils		
	MIN.	TYP	MAX.	MIN.	TYP.	MAX.
A	4.32		4.95	170.1		194.9
b	0.36		0.51	14.2		20.1
D	4.45		4.95	175.2		194.9
E	3.30		3.94	129.9		155.1
e	2.41		2.67	94.9		105.1
e1	1.14		1.40	44.9		55.1
L	12.7		15.49	500.0		609.8
R	2.16		2.41	85.0		94.9
S1	0.92		1.52	36.2		59.8
W	0.41		0.56	16.1		22.0
$\alpha$		5°			5°	



**PPAK MECHANICAL DATA**

DIM.	mm.			inch		
	MIN.	TYP	MAX.	MIN.	TYP.	MAX.
A	2.2		2.4	0.086		0.094
A1	0.9		1.1	0.035		0.043
A2	0.03		0.23	0.001		0.009
B	0.4		0.6	0.015		0.023
B2	5.2		5.4	0.204		0.212
C	0.45		0.6	0.017		0.023
C2	0.48		0.6	0.019		0.023
D	6		6.2	0.236		0.244
D1		5.1			0.201	
E	6.4		6.6	0.252		0.260
E1		4.7			0.185	
e		1.27			0.050	
G	4.9		5.25	0.193		0.206
G1	2.38		2.7	0.093		0.106
H	9.35		10.1	0.368		0.397
L2		0.8	1		0.031	0.039
L4	0.6		1	0.023		0.039
L5	1			0.039		
L6		2.8			0.110	

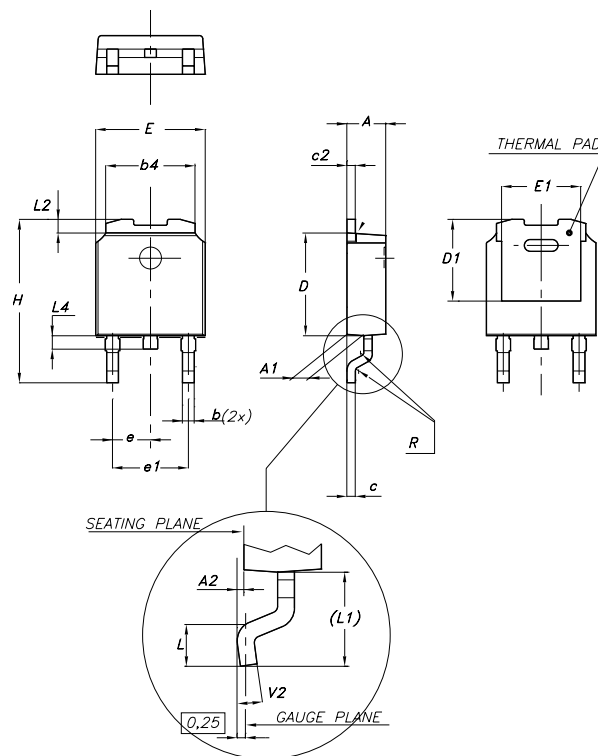


0078180-E



### DPAK MECHANICAL DATA

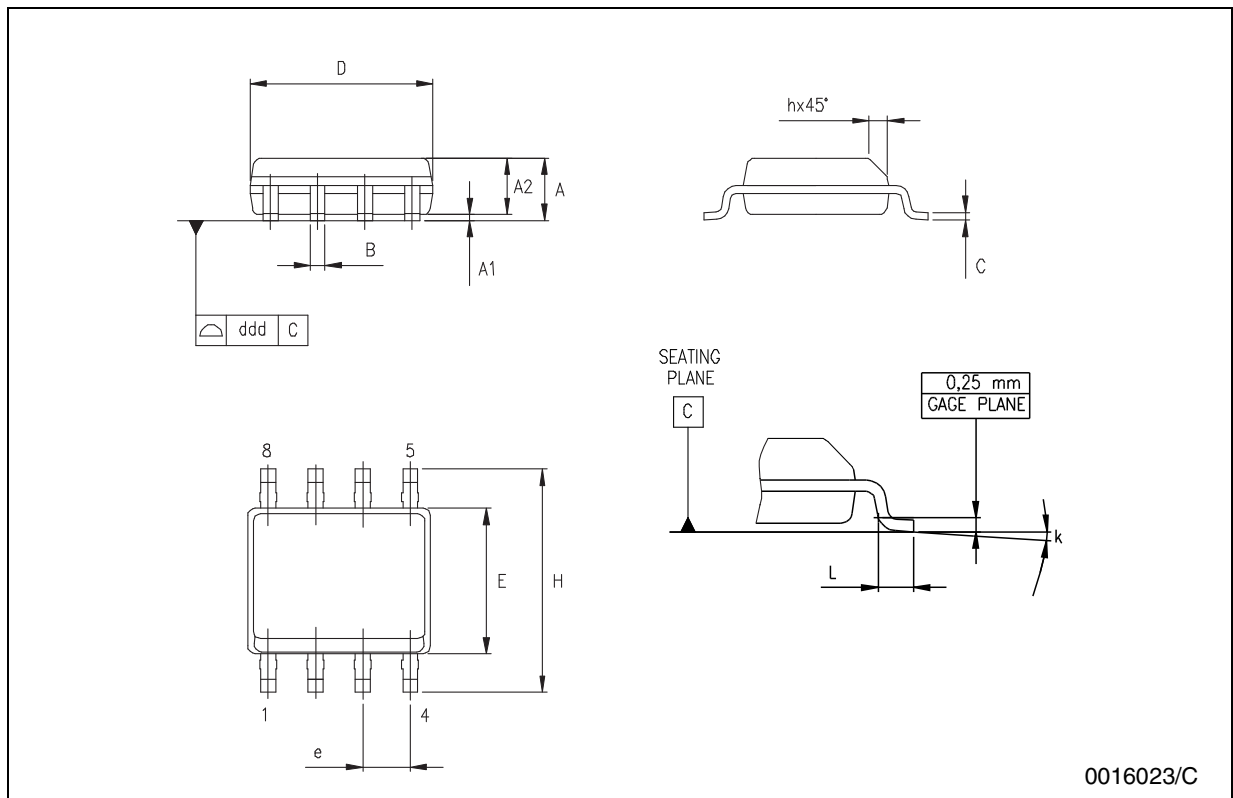
DIM.	mm.			inch		
	MIN.	TYP	MAX.	MIN.	TYP.	MAX.
A	2.2		2.4	0.086		0.094
A1	0.9		1.1	0.035		0.043
A2	0.03		0.23	0.001		0.009
B	0.64		0.9	0.025		0.035
b4	5.2		5.4	0.204		0.212
C	0.45		0.6	0.017		0.023
C2	0.48		0.6	0.019		0.023
D	6		6.2	0.236		0.244
D1		5.1			0.200	
E	6.4		6.6	0.252		0.260
E1		4.7			0.185	
e		2.28			0.090	
e1	4.4		4.6	0.173		0.181
H	9.35		10.1	0.368		0.397
L	1			0.039		
(L1)		2.8			0.110	
L2		0.8			0.031	
L4	0.6		1	0.023		0.039
R		0.2			0.008	
V2	0°		8°	0°		8°



0068772-F

**SO-8 MECHANICAL DATA**

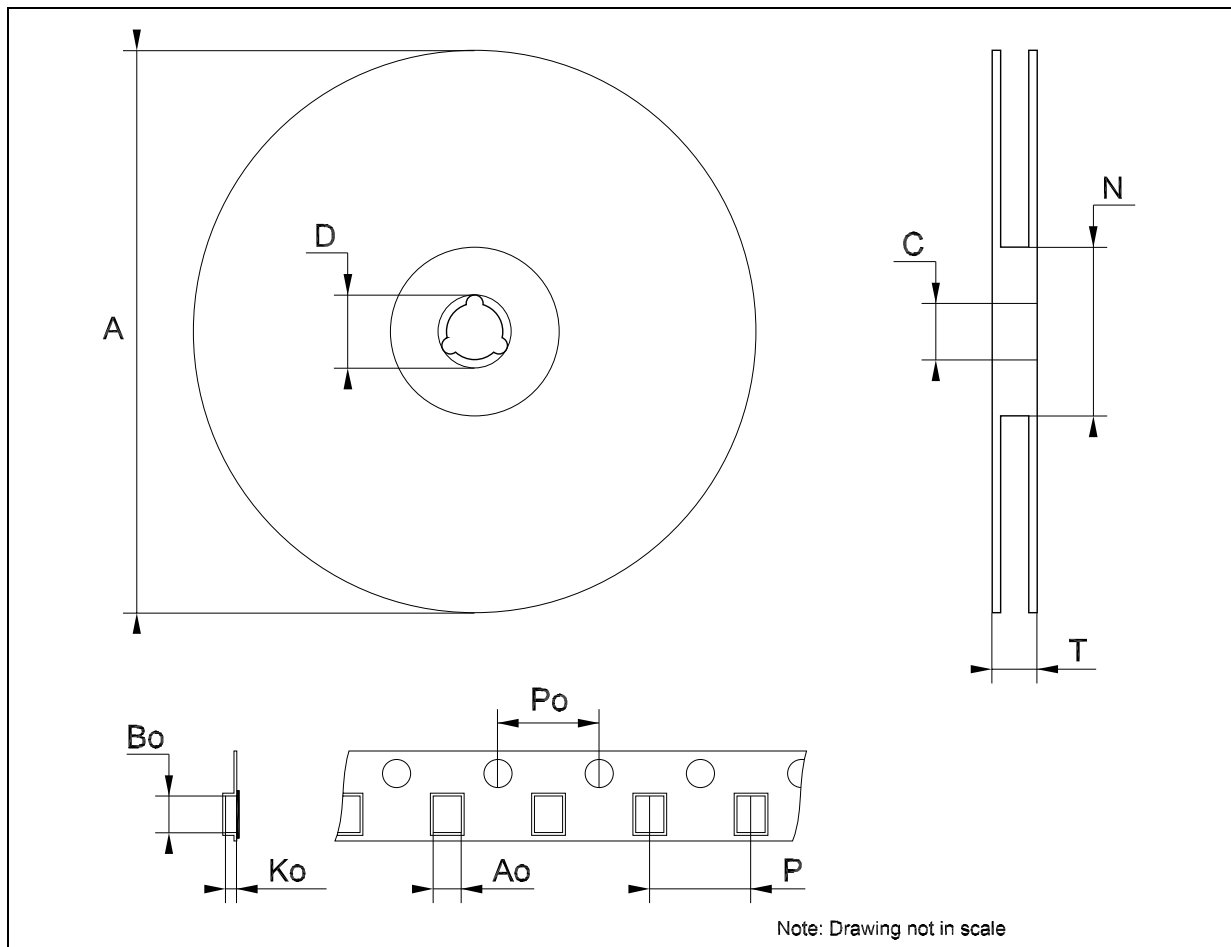
DIM.	mm.			inch		
	MIN.	TYP	MAX.	MIN.	TYP.	MAX.
A	1.35		1.75	0.053		0.069
A1	0.10		0.25	0.04		0.010
A2	1.10		1.65	0.043		0.065
B	0.33		0.51	0.013		0.020
C	0.19		0.25	0.007		0.010
D	4.80		5.00	0.189		0.197
E	3.80		4.00	0.150		0.157
e		1.27			0.050	
H	5.80		6.20	0.228		0.244
h	0.25		0.50	0.010		0.020
L	0.40		1.27	0.016		0.050
k	8° (max.)					
ddd			0.1			0.04



0016023/C

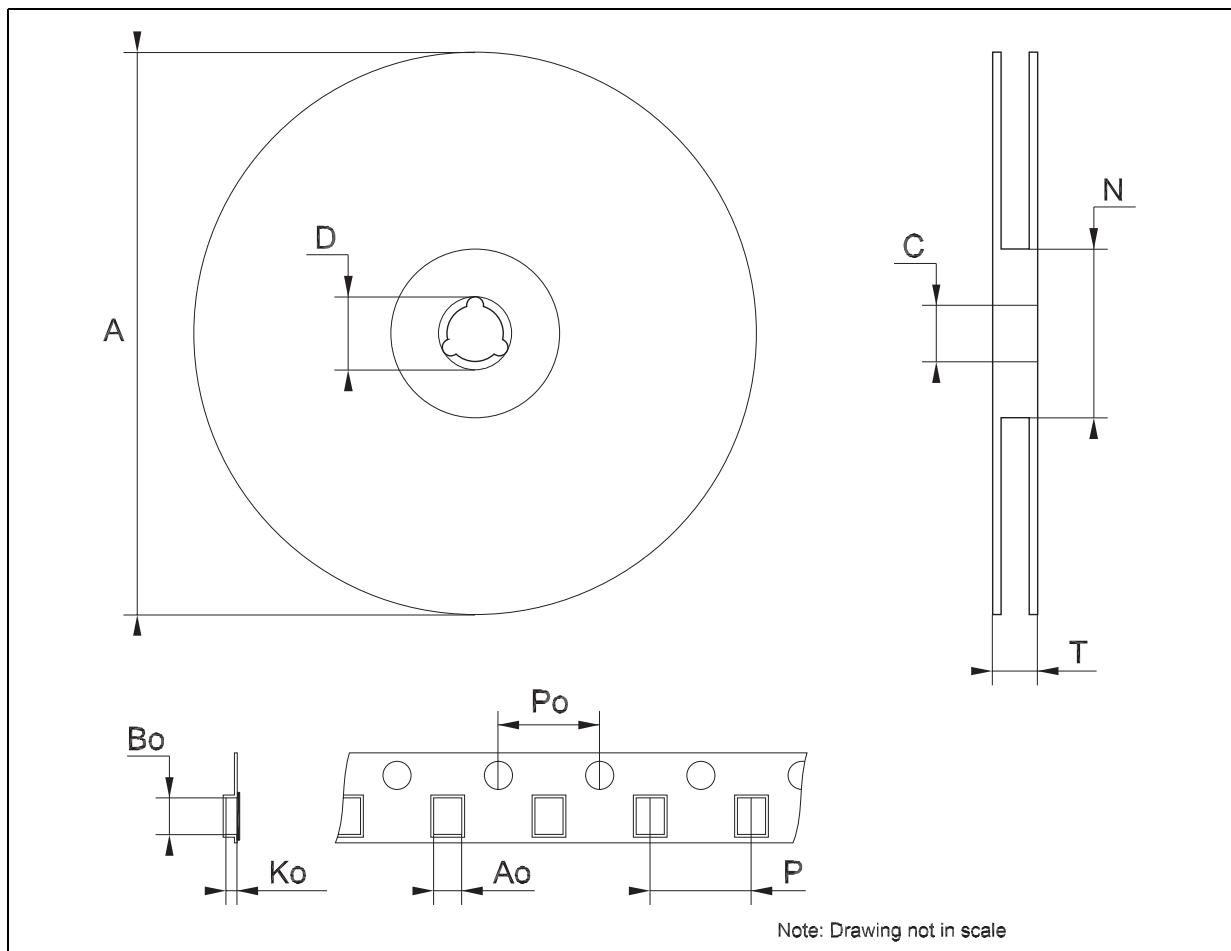
**Tape & Reel DPAK-PPAK MECHANICAL DATA**

DIM.	mm.			inch		
	MIN.	TYP	MAX.	MIN.	TYP.	MAX.
A			330			12.992
C	12.8	13.0	13.2	0.504	0.512	0.519
D	20.2			0.795		
N	60			2.362		
T			22.4			0.882
Ao	6.80	6.90	7.00	0.268	0.272	0.276
Bo	10.40	10.50	10.60	0.409	0.413	0.417
Ko	2.55	2.65	2.75	0.100	0.104	0.105
Po	3.9	4.0	4.1	0.153	0.157	0.161
P	7.9	8.0	8.1	0.311	0.315	0.319



**Tape & Reel SO-8 MECHANICAL DATA**

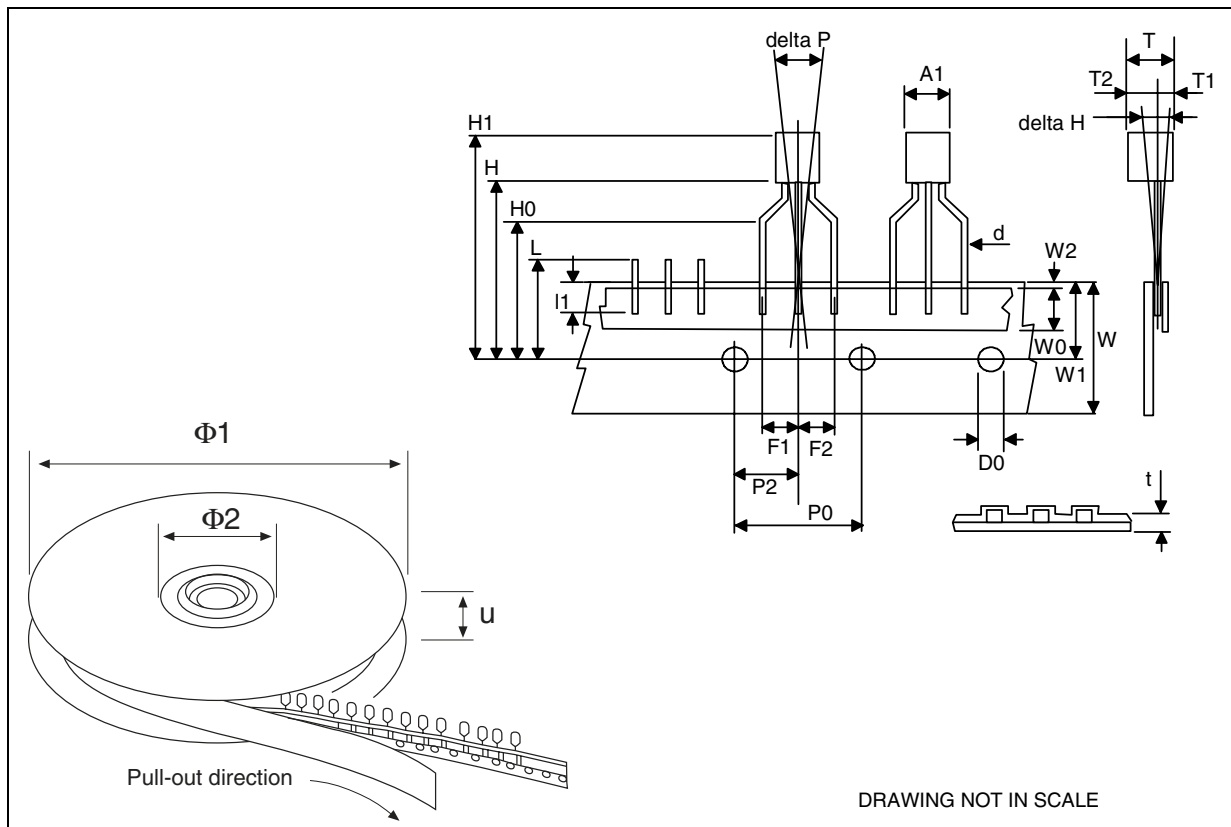
DIM.	mm.			inch		
	MIN.	TYP	MAX.	MIN.	TYP.	MAX.
A			330			12.992
C	12.8		13.2	0.504		0.519
D	20.2			0.795		
N	60			2.362		
T			22.4			0.882
Ao	8.1		8.5	0.319		0.335
Bo	5.5		5.9	0.216		0.232
Ko	2.1		2.3	0.082		0.090
Po	3.9		4.1	0.153		0.161
P	7.9		8.1	0.311		0.319



Note: Drawing not in scale

**Tape & Reel for TO-92 MECHANICAL DATA**

DIM.	mm.			inch		
	MIN.	TYP	MAX.	MIN.	TYP.	MAX.
A1		4.80			0.189	
T		3.80			0.150	
T1		1.60			0.063	
T2		2.30			0.091	
d		0.48			0.019	
P0	12.5		12.9	0.492		0.508
P2	5.65		7.05	0.222		0.278
F1, F2	2.44	2.54	2.94	0.096	0.100	0.116
delta H		±2			0.079	
W	17.5	18.00	19.0	0.689	0.709	0.748
W0	5.7		6.3	0.224		0.248
W1	8.5		9.25	0.335		0.364
W2		0.50			0.20	
H		18.50	18.70		0.728	0.726
H0	15.50		16.50	0.610		0.650
H1		25.00			0.984	
D0	3.8		4.2	0.150		0.165
t		0.90			0.035	
L1		3			0.118	
delta P		±1			0.039	
u		50			1.968	
Φ1		360			14.173	
Φ2		30			1.181	



## 7 Order code

Table 25. Order code

Part numbers					
TO-220	SO-8	PPAK	DPAK	TO-92	Output voltage
L4931CV15	L4931CD15-TR	L4931CPT15-TR <sup>(1)</sup>	L4931CDT15 <sup>(1)</sup>	L4931CZ15-AP <sup>(1)</sup>	1.5 V
L4931ABV15 <sup>(1)</sup>	L4931ABD15-TR	L4931ABPT15TR <sup>(1)</sup>	L4931ABDT15 <sup>(1)</sup>	L4931ABZ15-AP <sup>(1)</sup>	1.5 V
L4931CV25	L4931CD25-TR	L4931CPT25-TR	L4931CDT25	L4931CZ25-AP	2.5 V
L4931ABV25	L4931ABD25-TR	L4931ABPT25TR	L4931ABDT25	L4931ABZ25-AP	2.5 V
L4931CV27	L4931CD27-TR	L4931CPT27-TR	L4931CDT27	L4931CZ27-AP	2.7 V
L4931ABV27	L4931ABD27-TR	L4931ABPT27TR	L4931ABDT27	L4931ABZ27-AP	2.7 V
L4931CV30	L4931CD30-TR	L4931CPT30-TR	L4931CDT30	L4931CZ30-AP	3 V
L4931ABV30	L4931ABD30-TR	L4931ABPT30TR	L4931ABDT30	L4931ABZ30-AP	3 V
L4931CV33	L4931CD33-TR	L4931CPT33-TR	L4931CDT33	L4931CZ33-AP	3.3 V
L4931ABV33	L4931ABD33-TR	L4931ABPT33TR	L4931ABDT33	L4931ABZ33-AP	3.3 V
L4931CV35	L4931CD35-TR	L4931CPT35-TR	L4931CDT35	L4931CZ35-AP	3.5 V
L4931ABV35	L4931ABD35-TR	L4931ABPT35TR	L4931ABDT35	L4931ABZ35-AP	3.5 V
L4931CV40	L4931CD40-TR	L4931CPT40-TR	L4931CDT40	L4931CZ40-AP	4 V
L4931ABV40	L4931ABD40-TR	L4931ABPT40TR	L4931ABDT40	L4931ABZ40-AP	4 V
L4931CV47	L4931CD47-TR	L4931CPT47-TR	L4931CDT47	L4931CZ47-AP	4.75 V
L4931ABV47	L4931ABD47-TR	L4931ABPT47TR	L4931ABDT47	L4931ABZ47-AP	4.75 V
L4931CV50	L4931CD50-TR	L4931CPT50-TR	L4931CDT50	L4931CZ50-AP	5 V
L4931ABV50	L4931ABD50-TR	L4931ABPT50TR	L4931ABDT50	L4931ABZ50-AP	5 V
L4931CV80	L4931CD80-TR	L4931CPT80-TR	L4931CDT80	L4931CZ80-AP	8 V
L4931ABV80	L4931ABD80-TR	L4931ABPT80TR	L4931ABDT80	L4931ABZ80-AP	8 V
L4931CV120	L4931CD120-TR	L4931CPT120-TR	L4931CDT120	L4931CZ120-AP	12 V
L4931ABV120	L4931ABD120-TR	L4931ABPT120R	L4931ABDT120	L4931ABZ120AP	12 V

1. Available on request.

## 8 Revision history

**Table 26. Revision history**

Date	Revision	Changes
21-Jun-2004	11	Document updating.
14-Jun-2006	12	Order Codes has been updated and new template.

**Please Read Carefully:**

Information in this document is provided solely in connection with ST products. STMicroelectronics NV and its subsidiaries ("ST") reserve the right to make changes, corrections, modifications or improvements, to this document, and the products and services described herein at any time, without notice.

All ST products are sold pursuant to ST's terms and conditions of sale.

Purchasers are solely responsible for the choice, selection and use of the ST products and services described herein, and ST assumes no liability whatsoever relating to the choice, selection or use of the ST products and services described herein.

No license, express or implied, by estoppel or otherwise, to any intellectual property rights is granted under this document. If any part of this document refers to any third party products or services it shall not be deemed a license grant by ST for the use of such third party products or services, or any intellectual property contained therein or considered as a warranty covering the use in any manner whatsoever of such third party products or services or any intellectual property contained therein.

**UNLESS OTHERWISE SET FORTH IN ST'S TERMS AND CONDITIONS OF SALE ST DISCLAIMS ANY EXPRESS OR IMPLIED WARRANTY WITH RESPECT TO THE USE AND/OR SALE OF ST PRODUCTS INCLUDING WITHOUT LIMITATION IMPLIED WARRANTIES OF MERCHANTABILITY, FITNESS FOR A PARTICULAR PURPOSE (AND THEIR EQUIVALENTS UNDER THE LAWS OF ANY JURISDICTION), OR INFRINGEMENT OF ANY PATENT, COPYRIGHT OR OTHER INTELLECTUAL PROPERTY RIGHT.**

**UNLESS EXPRESSLY APPROVED IN WRITING BY AN AUTHORIZED REPRESENTATIVE OF ST, ST PRODUCTS ARE NOT DESIGNED, AUTHORIZED OR WARRANTED FOR USE IN MILITARY, AIR CRAFT, SPACE, LIFE SAVING, OR LIFE SUSTAINING APPLICATIONS, NOR IN PRODUCTS OR SYSTEMS, WHERE FAILURE OR MALFUNCTION MAY RESULT IN PERSONAL INJURY, DEATH, OR SEVERE PROPERTY OR ENVIRONMENTAL DAMAGE.**

Resale of ST products with provisions different from the statements and/or technical features set forth in this document shall immediately void any warranty granted by ST for the ST product or service described herein and shall not create or extend in any manner whatsoever, any liability of ST.

ST and the ST logo are trademarks or registered trademarks of ST in various countries.

Information in this document supersedes and replaces all information previously supplied.

The ST logo is a registered trademark of STMicroelectronics. All other names are the property of their respective owners.

© 2006 STMicroelectronics - All rights reserved

STMicroelectronics group of companies

Australia - Belgium - Brazil - Canada - China - Czech Republic - Finland - France - Germany - Hong Kong - India - Israel - Italy - Japan - Malaysia - Malta - Morocco - Singapore - Spain - Sweden - Switzerland - United Kingdom - United States of America

[www.st.com](http://www.st.com)





SEARCH

search the site





## Part Number Search

### Search For Part #:

Example: [\\*74\\*00\\*](#)

### Matching Documents: 1 - 1 of 1

Generic Part Number(s)	Orderable Part Number(s)	Status	Product Page/ Datasheet	Description
<a href="#">L4931ABXX80</a>	<a href="#">L4931ABDT80-TR</a>	Active	 	Very low drop voltage regulators with inhibit <a href="#">Power Management</a>   <a href="#">Linear Regulators</a>   <a href="#">Very Low Dropout</a>

Search time: 0.073s

[top](#)