

Customer Information Sheet

DRAWING No.: KF-401XX06

SHEET 2 OF 2

IF IN DOUBT - ASK

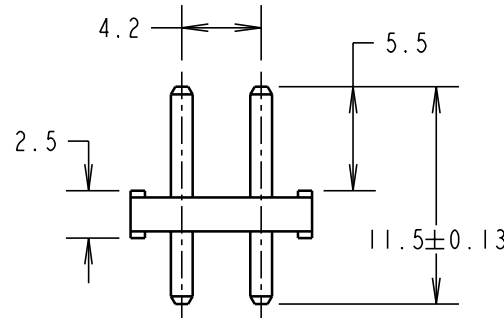
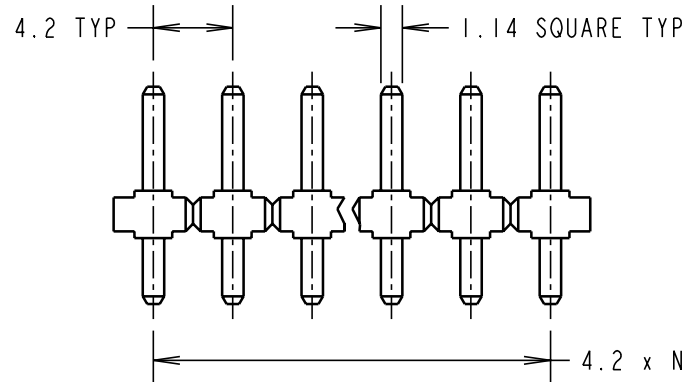
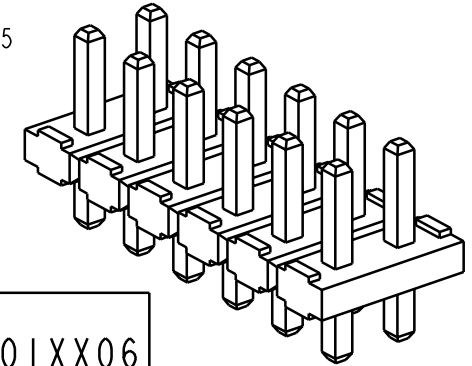


NOT TO SCALE

THIRD ANGLE PROJECTION

ALL DIMENSIONS IN mm

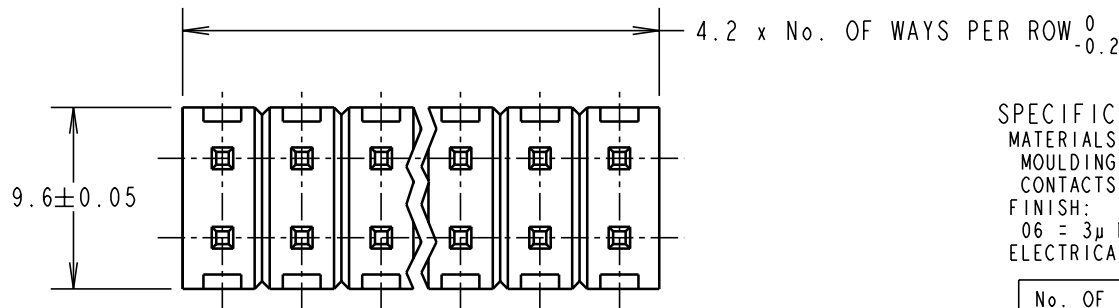
SCALE 2.5



ORDER CODE:
KF-401XX06

No. OF WAYS PER ROW
 02 TO 16

FINISH
 06 - TIN



SPECIFICATIONS:

MATERIALS:

MOULDING = 25% GLASS-FILLED NYLON 6/6 UL94V-0 BLACK
 CONTACTS = PHOSPHOR BRONZE

FINISH:

06 = 3µ MIN 90/10 TIN/LEAD OVER 1.3µ NICKEL

ELECTRICAL:

No. OF CONTACTS	2-3	4-6	7-10	11-24	25-32
CURRENT RATING	9 AMPS	8 AMPS	7 AMPS	6 AMPS	5 AMPS

VOLTAGE RATING = 600V
 DIELECTRIC STRENGTH = 1500V AC
 CONTACT RESISTANCE = 10mΩ MAX
 INSULATION RESISTANCE = 1,000MΩ MIN

MECHANICAL:

DURABILITY = 30 OPERATIONS

ENVIRONMENTAL:

TEMPERATURE RANGE = -40°C TO +105°C

NOTES:

- FOR COMPLETE SPECIFICATION, SEE COMPONENT SPECIFICATION C033XX (LATEST ISSUE).
- RECOMMENDED HOLE SIZE = \varnothing 1.80mm.

1	13.11.00	----
ISS.	DATE	C/NOTE
APPROVED:		
CHECKED:		
DRAWN: W. J. BOURNE		
CUSTOMER REF.:		
ASSEMBLY DRG:		



THIS DRAWING AND ANY INFORMATION OR DESCRIPTIVE MATTER SET OUT HEREON ARE CONFIDENTIAL AND COPYRIGHT PROPERTY OF THE HARWIN GROUP AND MUST NOT BE DISCLOSED, LOANED, COPIED OR USED FOR MANUFACTURING, TENDERING OR FOR ANY OTHER PURPOSE WITHOUT THEIR WRITTEN PERMISSION.

TOLERANCES
 ALL DIMENSIONS = ±0.10mm
 ANGLES = ±5°
 UNLESS STATED

MATERIAL:
 SEE ABOVE

FINISH:
 SEE ABOVE

S/AREA:
 mm²

TITLE:
 POWERFIT™
 4.2mm PITCH DIL VERTICAL
 PC TAIL PIN HEADER

DRAWING NUMBER:
KF-401XX06

SHT
 2 OF 2

HARWIN INC
 U.S.A.
 TEL: (812) 285 0055
 FAX: (812) 285 0056

HARWIN PLC
 U.K.
 TEL: 023 9237 0451
 FAX: 023 9231 4590

HARWIN PTE
 SINGAPORE
 TEL: 65 7794909
 FAX: 65 7793868