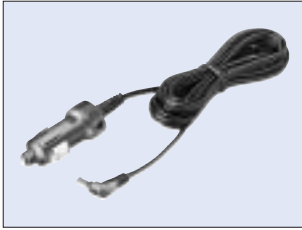
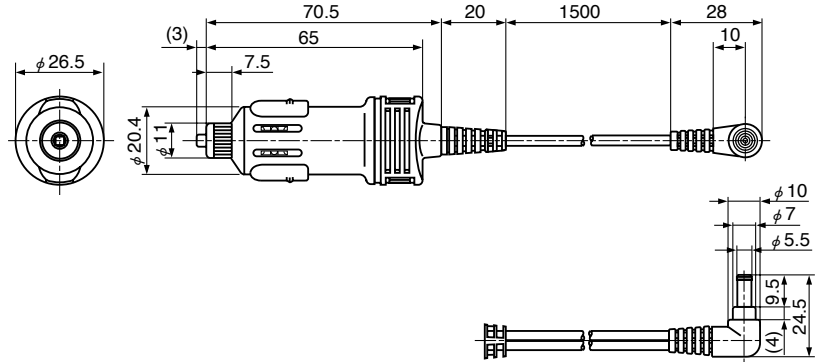


JXP6003

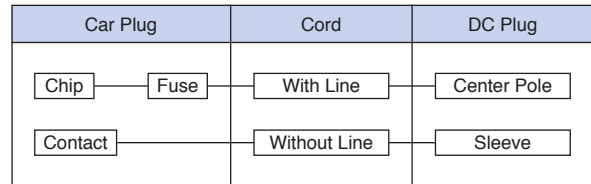
Car Plug Cord


JXP6003


Specifications

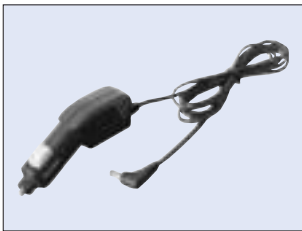
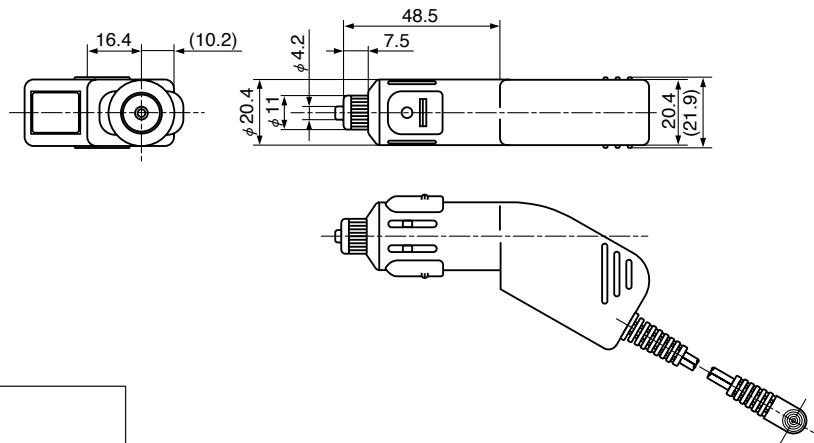
Input Power Supply	10.5 ~ 33 V DC
Load Current	5 A Max.
Insertion Force	70 N Max.
Withdrawal Force	14.5 ~ 65 N
Durability of Insertion and Withdrawal	2000 Cycles

Schematic



JCP5000

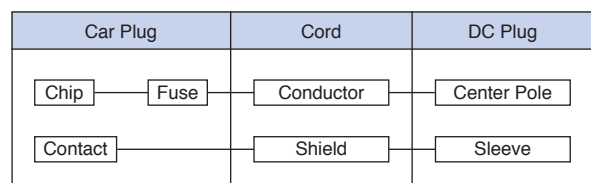
Car Plug Cord with AVR


JCP5000


Specifications

Input Power Supply	10 ~ 32 V DC
Output Power Supply	3.0 ~ 6.0 V DC
Load Current	500 mA
Insertion Force	70 N Max.
Withdrawal Force	14.5 ~ 65 N
Durability of Insertion and Withdrawal	2000 Cycles

Schematic



※ We custom-build to your specifications.