

SPECIFICATIONS

Electrical

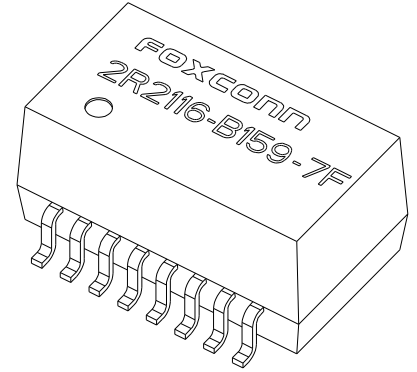
Current Rating: 1.5A max.
Dielectric Withstanding Voltage: 1500VAC

Physical

Housing: UL 94V-0, Black LCP,30% Glass
Contact: Phosphor bronze
Operating Temperature: 0 to +70

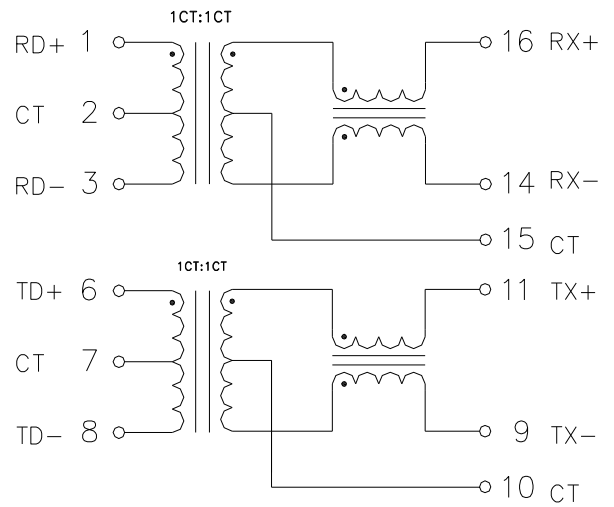
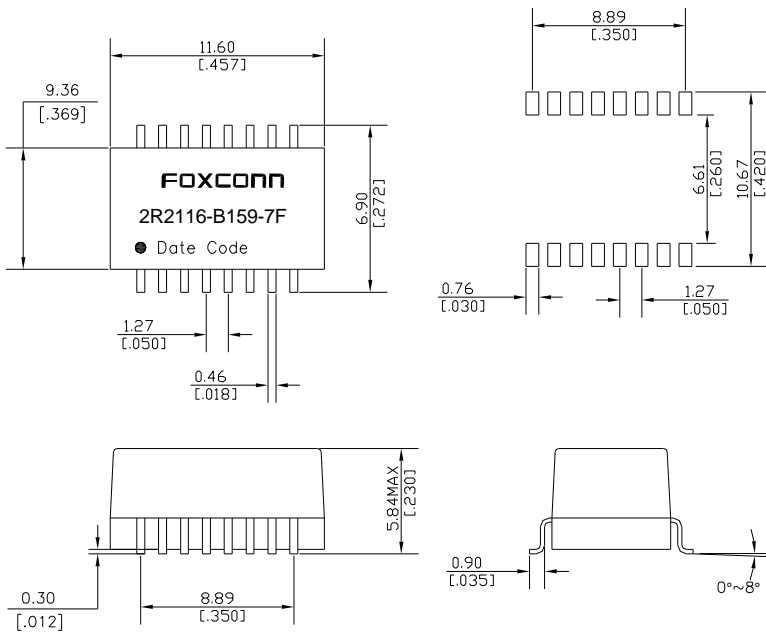
Lan Transformer

Lan Transformer Series
10/100 BASE-T
FOR 1PORT RJ45,16 PINS,
SMT type



DRAWING

RECOMMENDED PCB LAYOUT



ORDERING INFORMATION

