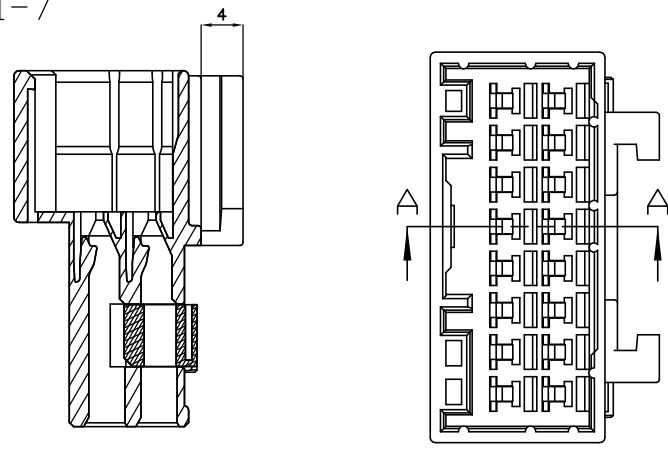
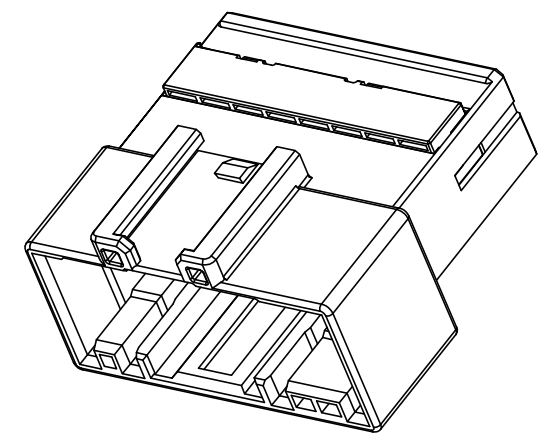
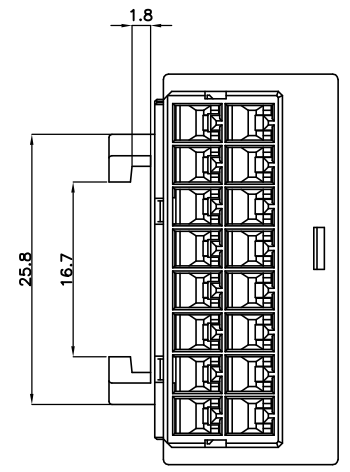
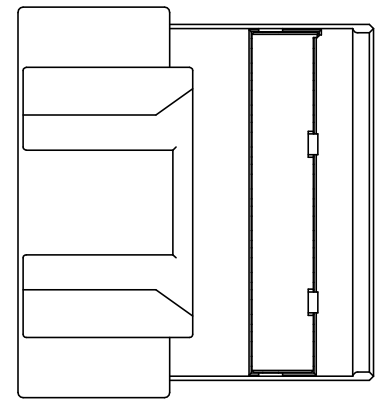


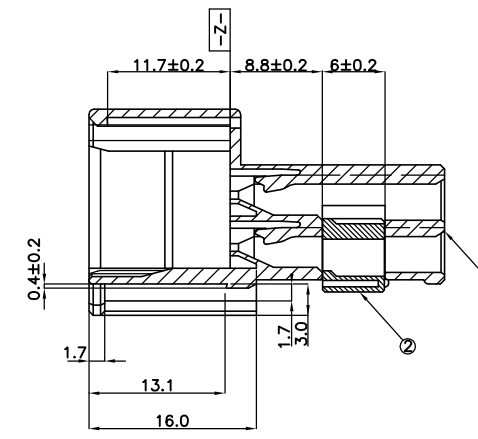
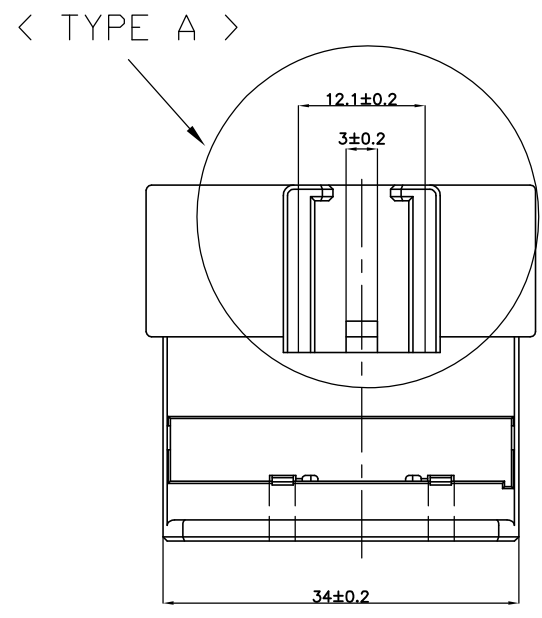
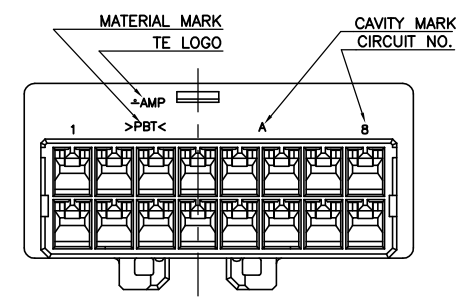
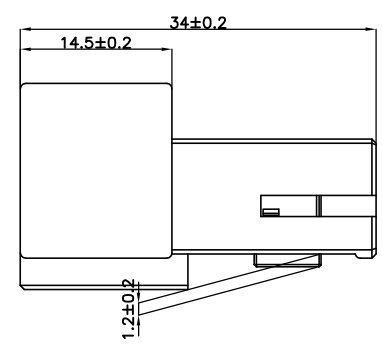
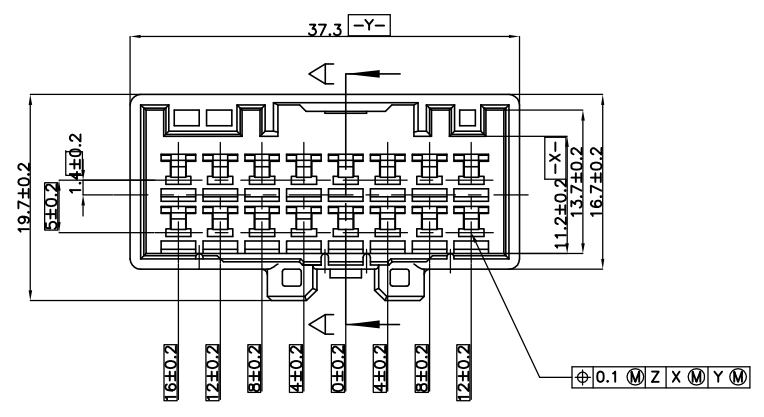
TYPE B (DELPHI CLIP MOUNTING TYPE)
 1-936211-7



SECTION A-A



LOC	DIST	REVISIONS					
		P	LTR	DESCRIPTION	DATE	DWN	APVD
		B		REVISED (FC00-0014-03)	28.JAN.'03	KT LIM	CS
		B1		REVISED (ECR-09-005035)	24.MAR.'09	KT	HG
		C		REVISED (ECR-10-007521)	29.JUN.'10	KT	HG



SECTION A-A

- NOTES.
 1. THE MATING HSG. P/N ; 936201
 2. APPLIED CONTACT P/N ;
 090 III TAB. - 368086, 368087, 368088, 1897752

- 주 기-
 1. 상대 하우징 P/N. : 936201
 2. 적용단자 P/N. : 090 II TAB.- 368086, 368087, 368088, 1897752

NO	COLOR	MATERIAL	DESCRIPTION	QTY
1	GREEN	PBT	CAP (TYPE B)	1
	BLUE	PBT	CAP (TYPE A)	1
	YELLOW	PBT	CAP (TYPE A)	1
	BROWN	PBT	CAP (TYPE A)	1
	D/GRAY	PBT	CAP (TYPE A)	1
	BLACK	PBT	CAP (TYPE A)	1
	NATURAL	PBT	CAP (TYPE A)	1
2	NATURAL	PBT	DBL	1 1 1 1 1 1 1 1

THIS DRAWING IS A CONTROLLED DOCUMENT FOR TYCO ELECTRONICS CORPORATION. IT IS SUBJECT TO CHANGE AND THE CONTROLLING ENGINEERING ORGANIZATION SHOULD BE CONTACTED FOR THE LATEST REVISION.

DIMENSIONS: MM	TOLERANCES UNLESS OTHERWISE SPECIFIED: 0 <XX<10 ± 0.2 10 <XX<30 ± 0.25 30 <XX ± 0.3 ANGLES ± 3°	DWN KT JUNG	Tyco Electronics Kyungsan, Korea		
MATERIAL SEE TABLE	FINISH	CHK KT LIM	NAME 090III 16P CAP ASS'Y		
		APVD HG CHD	SIZE A2	CAGE CODE 00779	DRAWING NO 936211
		PRODUCT SPEC -	RESTRICTED TO -		
		APPLICATION SPEC -	CUSTOMER DRAWING		
		WEIGHT -	SCALE 2/1	SHEET 1	OF 1
			REV C		