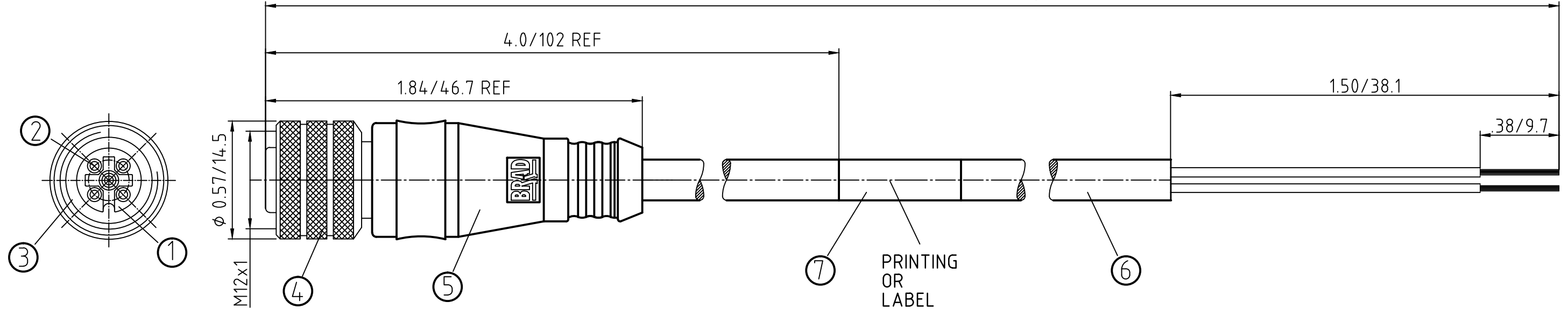


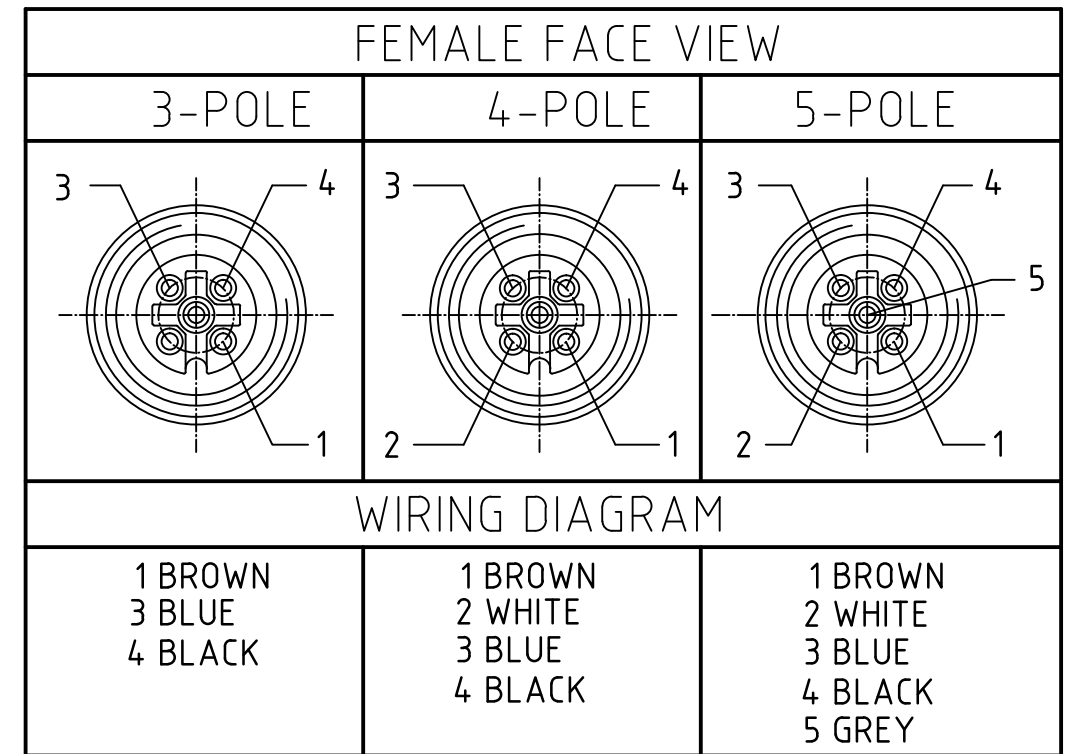
FINISHED LENGTH (SEE TABLE)



CONNECTOR SPECIFICATION:

VOLTAGE RATING	250 VAC/VDC
AMPERAGE RATING	max. 4 AMPS
PROTECTION	IP67
OPERATING TEMPERATURE	-20°C TO 105°C
UL CERTIFICATIONS	UL RECOGNIZED, FILE NO. E152210
CSA CERTIFICATIONS	CSA CERTIFIED, FILE NO. LR6837

ITEM	COMPONENT	MATERIAL	FINISH
1	INSERT	POLYURETHANE (PUR)	BLACK
2	CONTACT SOCKET	COPPER ALLOY	GOLD OVER NICKEL
3	O-RING	VITON	RED
4	COUPLING NUT	BRASS	NICKEL PLATED
5	OVERMOLD	TPE	YELLOW
6	CABLE- 22 AWG, (COPPER STRANDING) 3/4/5 CONDUCT. 300V	INSUL: PVC JACKET: TPE	YELLOW
7	LABEL	MYLAR	BLACK/YELLOW



ADD "REF" TO HEAD DIMENSIONS EC NO: WNA2011-0563 DRWN: TWOLDEGE CHKD: VOI APPR: JFMURPHY	4/29/11 2010/01/25	QUALITY SYMBOLS ▽ = 0 ∇ = 0	GENERAL TOLERANCES (UNLESS SPECIFIED)		DIMENSION STYLE	SCALE	DESIGN UNITS	THIRD ANGLE PROJECTION
			mm	INCH	IN/MM	2:1	METRIC	
2	REV	DESCRIPTION	4 PLACES ±---	±---	DRAWN BY	DATE	MICRO-CHANGE CORDSET 3/4/5-POL FEMALE STR SE 22/3-5 TPE YELLOW CABLE	
			3 PLACES ±---	±---	CHECKED BY	DATE		
			2 PLACES ±---	±.01	RE	2010/01/21	MOLEX INCORPORATED	
			1 PLACE ±0.3	±---	APPROVED BY	DATE		
			ANGULAR ± --- °		NSTAUDIG	2010/01/25	SD-120065-034	
			DRAFT WHERE APPLICABLE MUST REMAIN WITHIN DIMENSIONS		MATERIAL NO.	DOCUMENT NO.		
					SEE TABLE SHEET 2		SHEET NO. 1 OF 2	
					SIZE A3	THIS DRAWING CONTAINS INFORMATION THAT IS PROPRIETARY TO MOLEX INCORPORATED AND SHOULD NOT BE USED WITHOUT WRITTEN PERMISSION		

POL	MATERIAL NUMBER	ENGINEERING NUMBER	FINISHED LENGTH
3	1200651108	803000K05M020	6.56' +3.50" -0 [2.0M +88.9 -0]

POL	MATERIAL NUMBER	ENGINEERING NUMBER	FINISHED LENGTH
4	1200651120	804000K05M010	3.28' +2.19" -0 [1.0M +55.6 -0]
4	1200651121	804000K05M020	6.56' +3.50" -0 [2.0M +88.9 -0]
4	1200651122	804000K05M030	9.84' +3.50" -0 [3.0M +88.9 -0]
4	1200651123	804000K05M040	13.12' +6.50" -0 [4.0M +165.1 -0]
4	1200651124	804000K05M050	16.40' +6.50" -0 [5.0M +165.1 -0]
4	1200651125	804000K05M060	19.69' +6.50" -0 [6.0M +165.1 -0]
4	1200651126	804000K05M100	32.81' +12.50" -0 [10.0M +317.5 -0]
4	1200651127	804000K05M200	65.62' +24.50" -0 [20.0M +622.3 -0]

ADD "REF" TO HEAD DIMENSIONS EC NO: WNA2011-0563 DRWN: TWOLDEGE CHKD: VOI APPR: JFMURPHY 2010/01/25	QUALITY SYMBOLS ▽ = 0 ∇ = 0	GENERAL TOLERANCES (UNLESS SPECIFIED)		DIMENSION STYLE IN/MM		SCALE 2:1	DESIGN UNITS METRIC	THIRD ANGLE PROJECTION	
		mm	INCH	DRAWN BY	DATE	MICRO-CHANGE CORDSET 3/4/5-POL FEMALE STR SE 22/3-5 TPE YELLOW CABLE			
2	REV	4 PLACES	±---	±---	RE	2010/01/21	MOLEX INCORPORATED		
		3 PLACES	±---	±---	APPROVED BY	DATE	DOCUMENT NO.		SHEET NO.
		2 PLACES	±---	±.01	NSTAUDIG	2010/01/25	SD-120065-034		2 OF 2
		1 PLACE	±0.3	±---	SEE TABLE		THIS DRAWING CONTAINS INFORMATION THAT IS PROPRIETARY TO MOLEX INCORPORATED AND SHOULD NOT BE USED WITHOUT WRITTEN PERMISSION		
		ANGULAR ± --- °							
DRAFT WHERE APPLICABLE MUST REMAIN WITHIN DIMENSIONS									