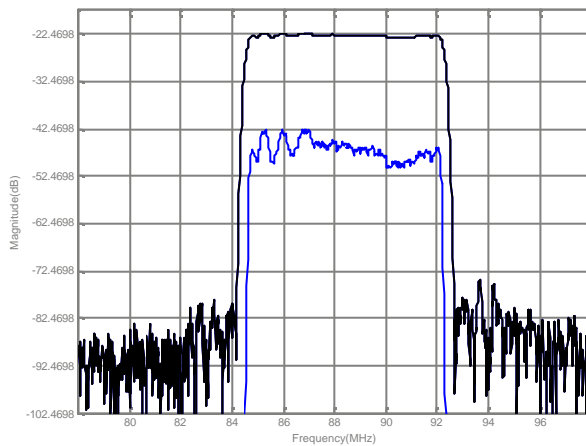




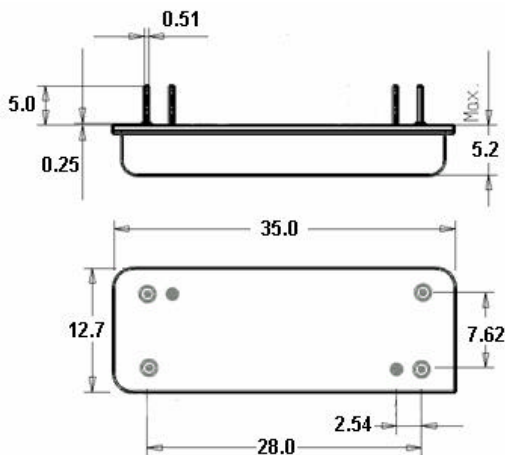
LBN08801 SAW Filter Electrical Characteristic

<i>Specifications</i>				
Parameter	Unit	Minimum	Typical	Maximum
Center Frequency	MHz	88.45	88.5	88.55
Insertion Loss	dB	-	22.50	25
2 dB Bandwidth	MHz	7.50	7.58	-
20 dB Bandwidth	MHz	-	8.12	8.20
30 dB Bandwidth	MHz	-	8.24	8.60
40 dB Bandwidth	MHz	-	8.33	9.40
Passband Variation	dB	-	0.9	1.5
Absolute Delay	usec	-	3.83	4.50
Ultimate Rejection	dB	50	52	-
Substrate Material		YZ LiNbO3		
Ambient Temperature	°C	25		
Package Size		DIP3512 (35.0x12.7x5.2mm ³)		

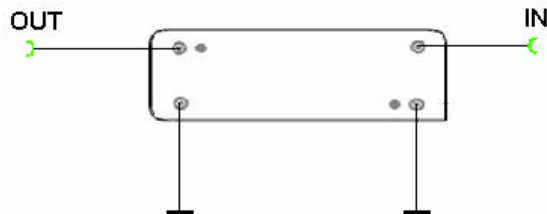
Typical Performance



Package Outline



Matching Configuration



Source/Load Impedance = 50 ohm