

MTG-GL-172

REPLACES
DRAWING NUMBER
11

REVISIONS
6 | 7/96
AO18-262
7 | 12/96
AO18-293
8 | 7/97
CO-000083
9 | 8/97
CO-000105
10 | CO/395
I WEIR 6/98
11 | PM 03/05
0011918

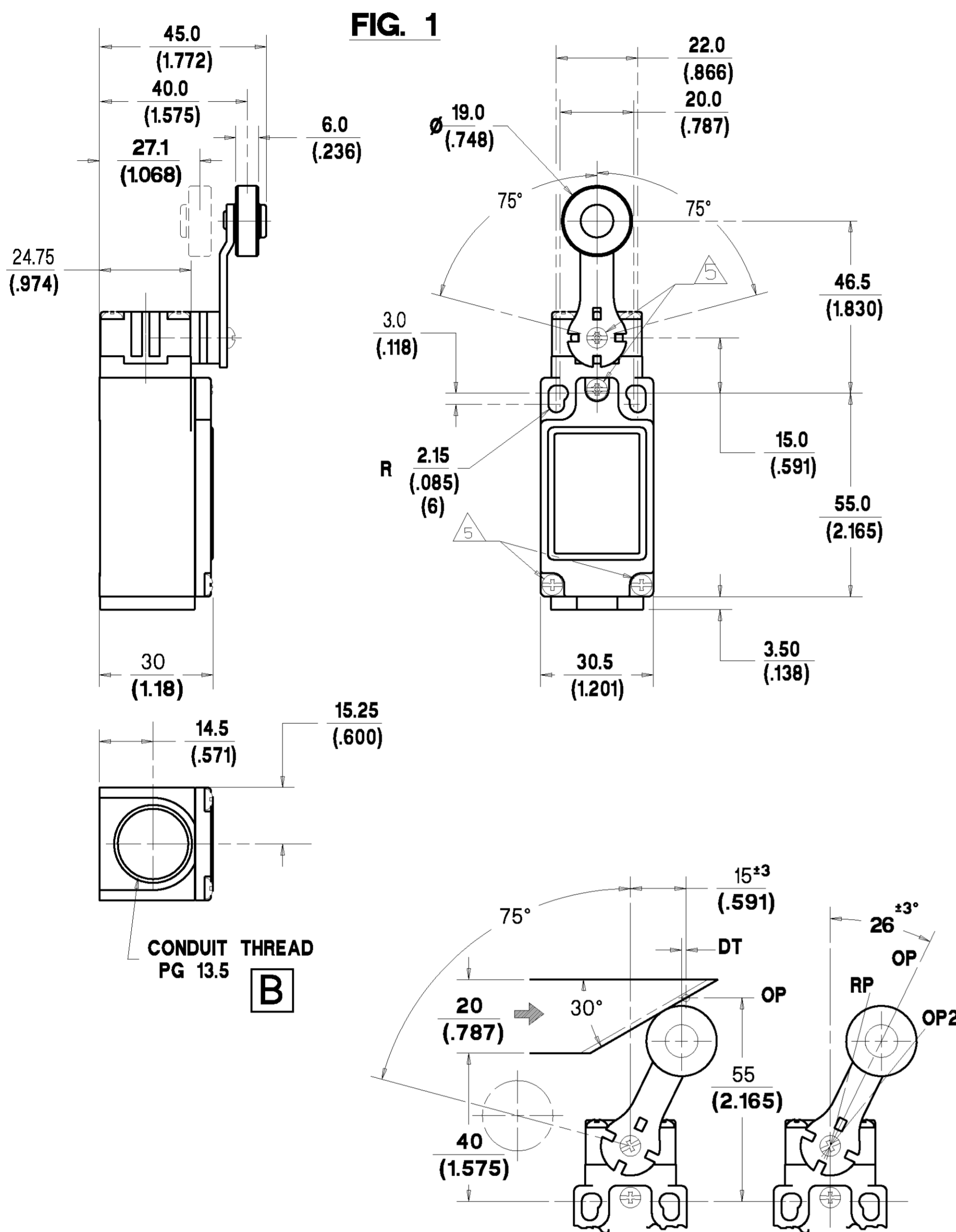
Honeywell

LIMIT SWITCH

CATALOGUE LISTING

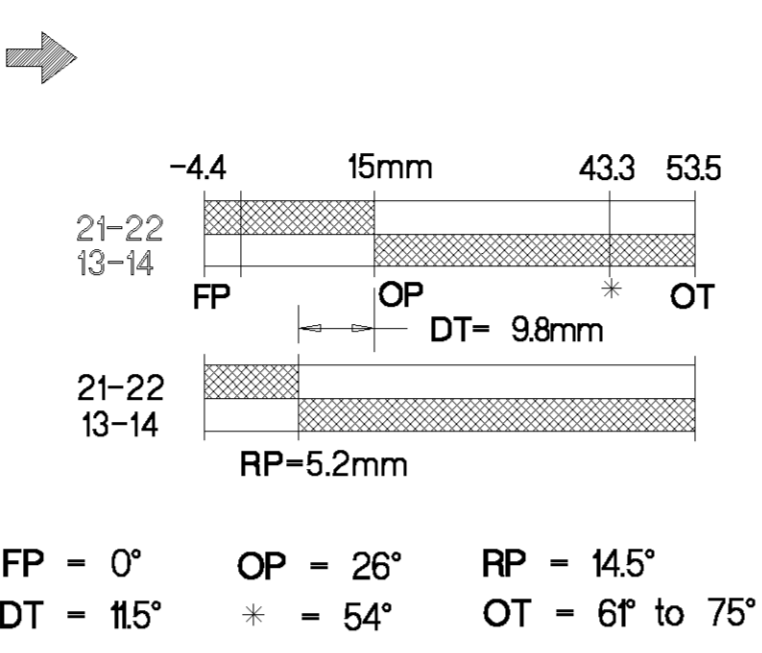
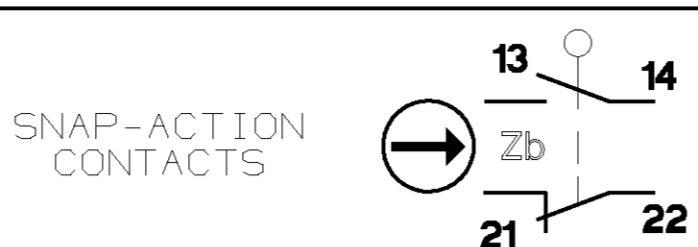
GLS

CHART NO.
MTG-GL-172

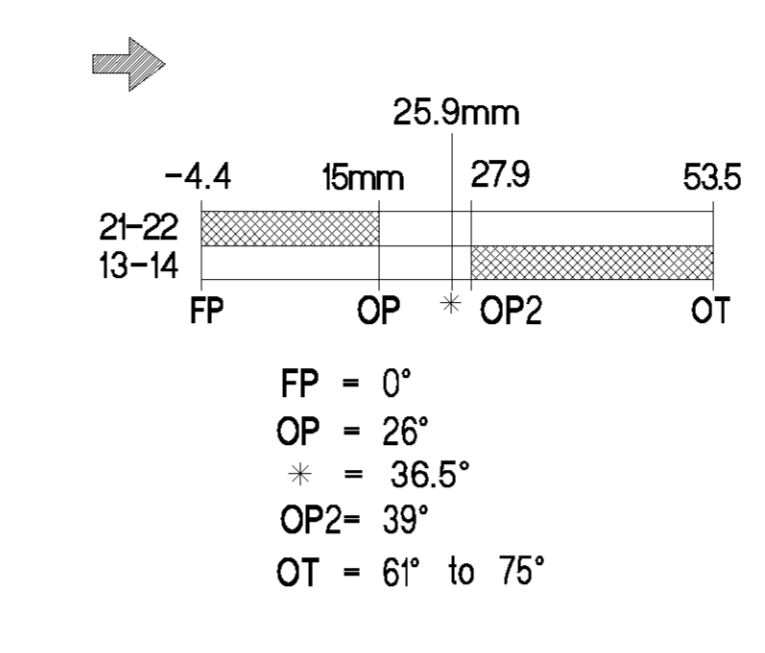


- NOTES:-
- MICRO SWITCH BLUE GLASS FILLED POLYESTER HOUSING & COVER. BLACK GLASS FILLED POLYAMIDE HEAD.
 - ENCLOSURE DOUBLE INSULATED TO IEC 539 CLASS II.
 - MINIMUM OPERATING VELOCITY (V_{min}) = 2.0 MM/S (THESE LIMITS APPLY TO CAM OPERATION AS SHOWN IN THE ABOVE DIAGRAMS ONLY)
MAXIMUM OPERATING VELOCITY (V_{max}) = 200 MM/S
MAXIMUM OPERATING FREQUENCY (F_{max}) = 250 OPS/MIN
 - FREE POSITION (FP), OPERATING POINT (OP), OVERTRAVEL (OT) AND PRETRAVEL (PT) ALL TO EN50047.
- △ MAXIMUM TIGHTENING TORQUE FOR FIXING SCREW = 0.5Nm (4.4 in.LB)

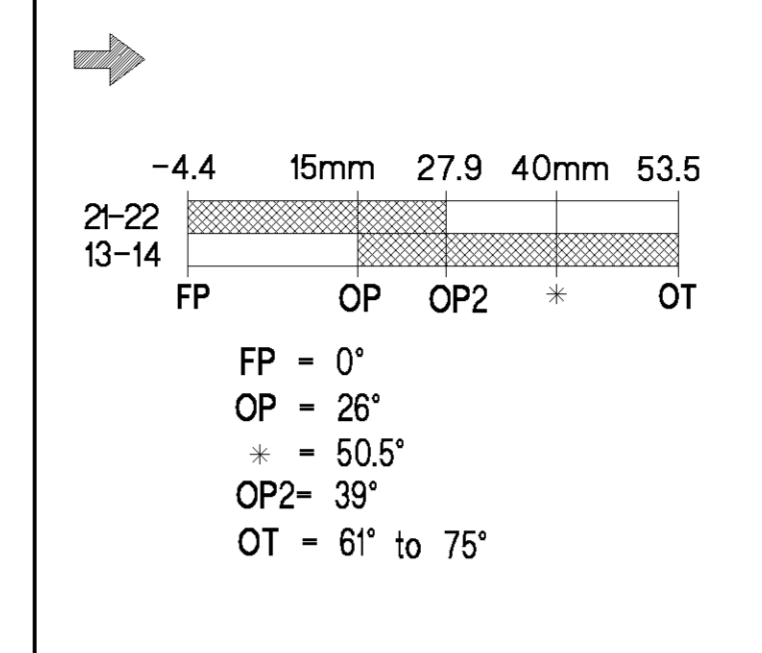
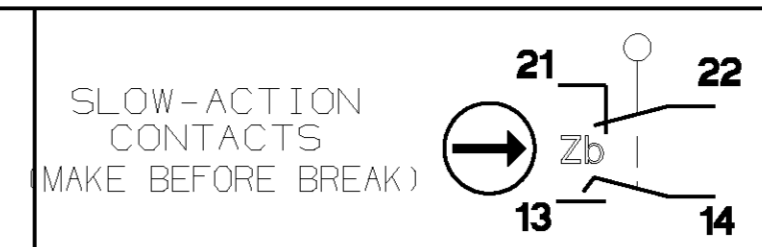
NO CHANGES CAN BE MADE TO THIS DRAWING WITHOUT JOINT NEWHOUSE/FREEMPORT APPROVAL



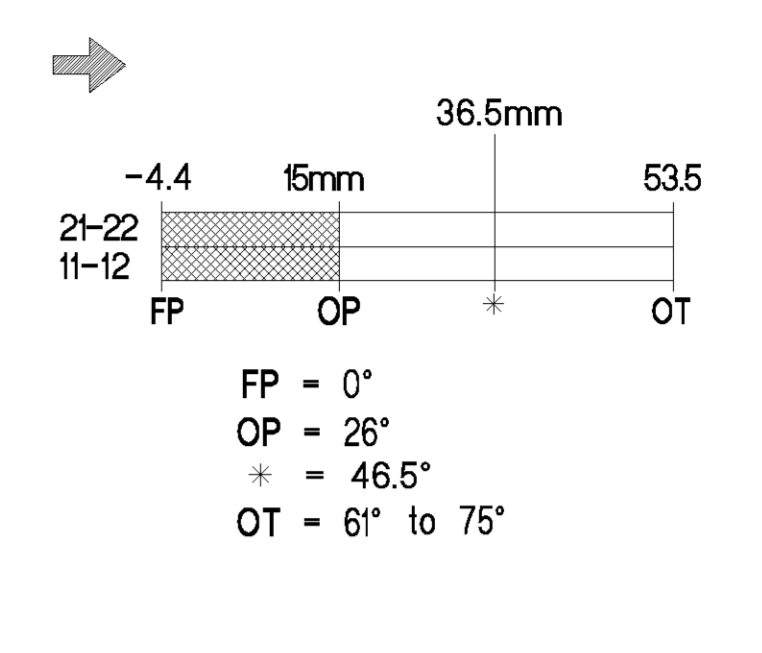
120 (1.1)	110 (1.0)	110 (1.0)	110 (1.0)
140 (1.3)	160 (1.5)	170 (1.6)	150 (1.4)



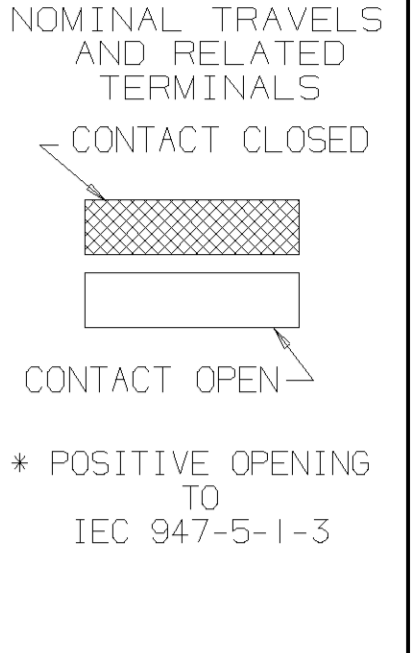
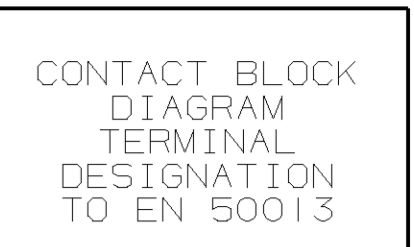
110 (1.0)	110 (1.0)	110 (1.0)	110 (1.0)
160 (1.5)	170 (1.6)	150 (1.4)	150 (1.4)



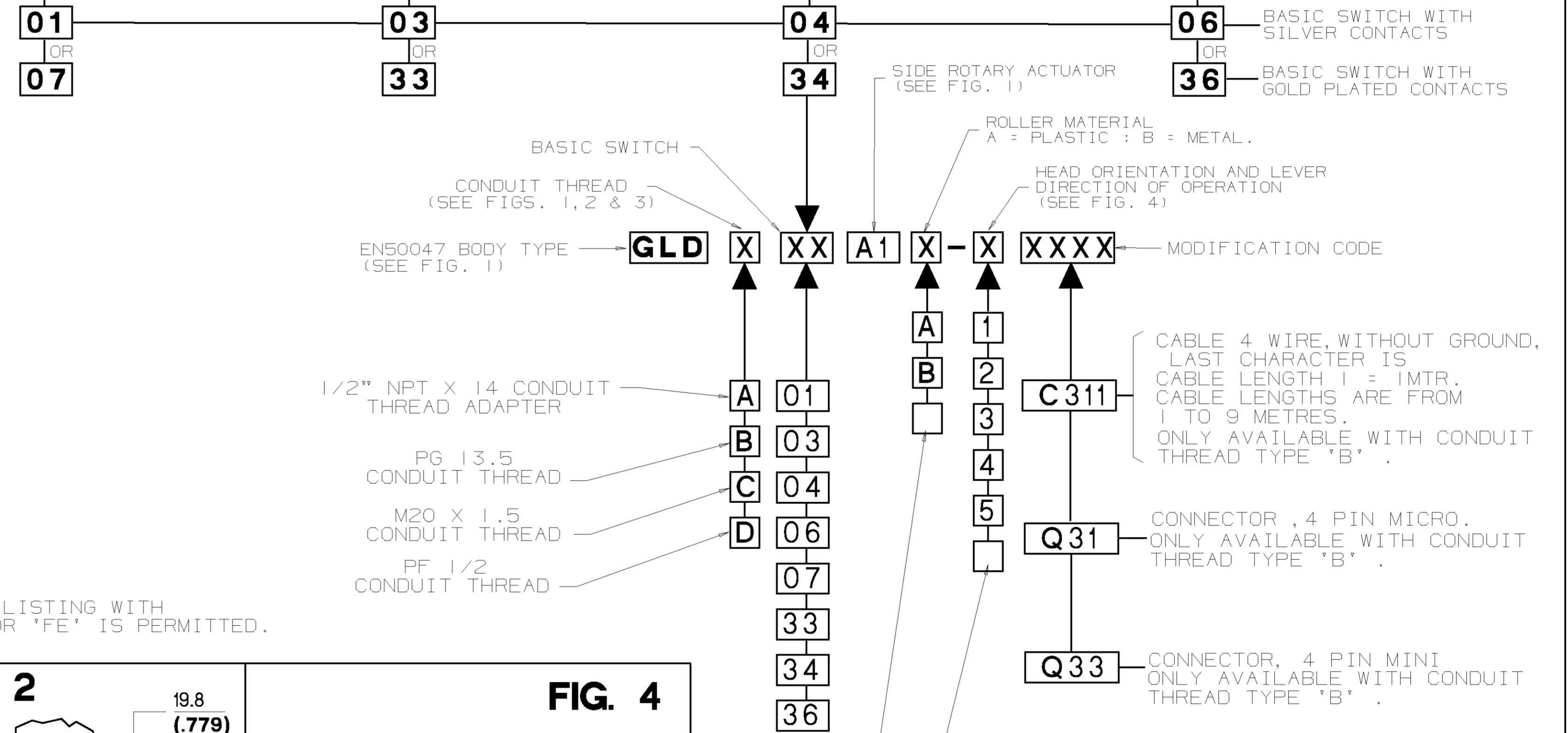
110 (1.0)	110 (1.0)	110 (1.0)	110 (1.0)
170 (1.6)	150 (1.4)	150 (1.4)	150 (1.4)



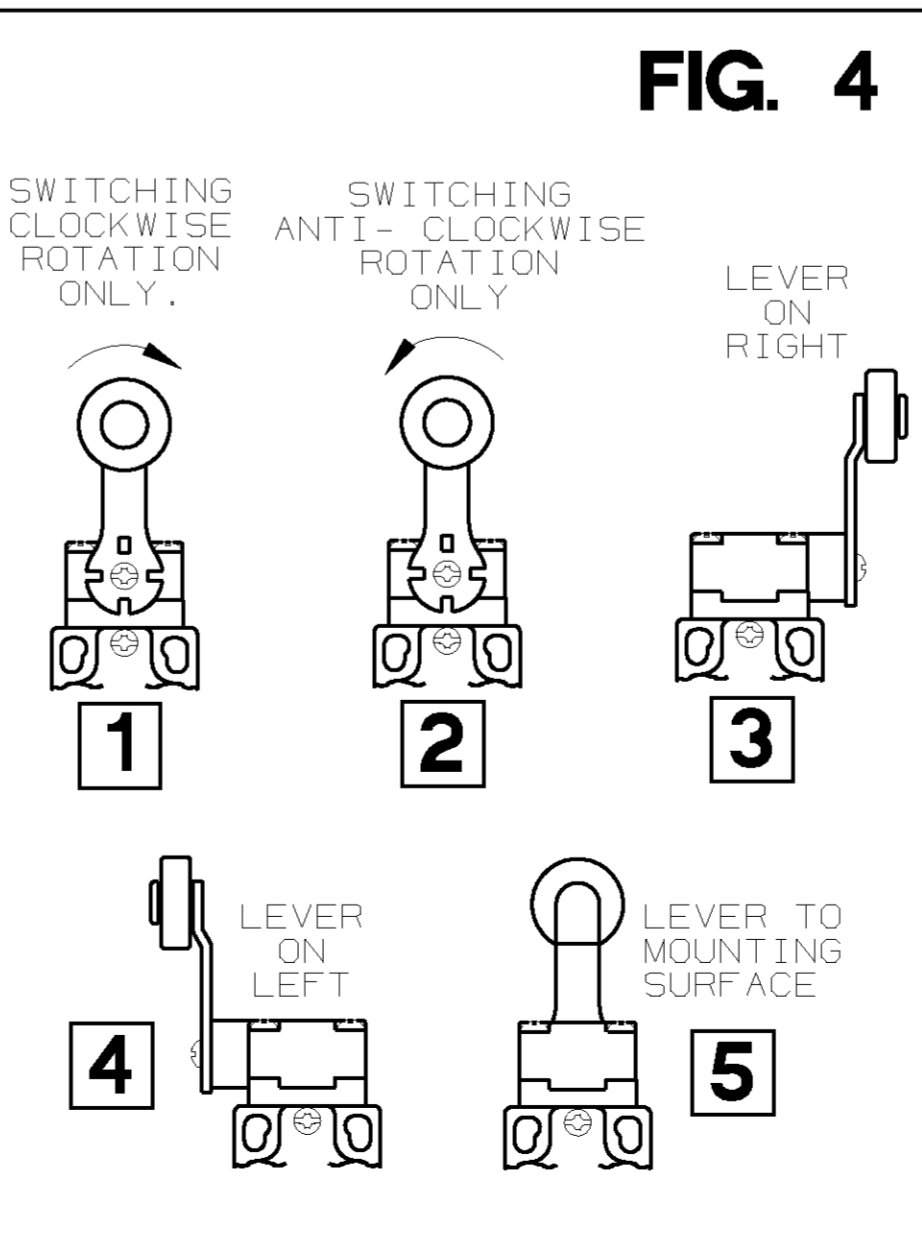
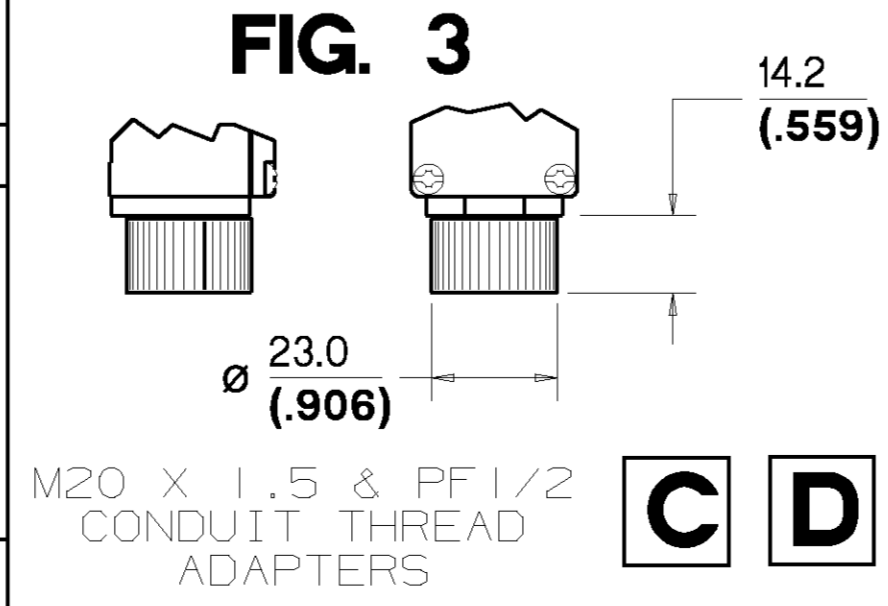
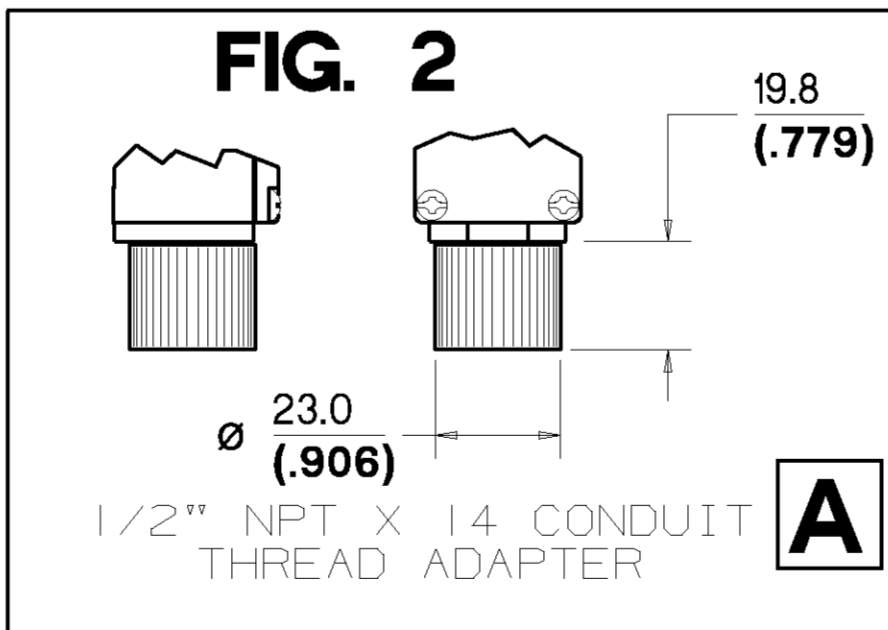
110 (1.0)	110 (1.0)	110 (1.0)	110 (1.0)
150 (1.4)	150 (1.4)	150 (1.4)	150 (1.4)



NORMAL OPERATING TORQUE MAX	Nmm (in.lbs)
MAXIMUM DISCONNECT TORQUE	Nmm (in.lbs)



NOTE:- ANY STANDARD LISTING WITH SUFFIX 'RS' OR 'FE' IS PERMITTED.



NOTE: FOR CONNECTION DIAGRAMS AND ADDITIONAL ELECTRICAL, ENVIRONMENTAL & DIMENSIONAL INFORMATION SEE DRAWING GL-49212.

3/93		4/93		4/93	
M. LOCH		I. WEIR		J. BOYD	
CHECK		DESIGN		AUTHOR	
P. TRICKETT		P. TRICKETT		P. TRICKETT	
IEC 947-5-1 ELECTRICAL RATING					
SILVER CONTACTS			GOLD PLATED CONTACTS		
AC	AC (FOR 2NC)	DC	$I_{th} = 10A$		
AG00 AC15	A500 AC15	O500 DC13	1V 10µA MIN.		
I_e	I_e	I_e	50V 100mA MAX.		
VOLTS	VOLTS	VOLTS			
AMP	AMP	AMP			
120	120	120			
240	240	250			
380	380	250			
480	480	500			
500	500	500			
600	500	500			
THE COPYRIGHT OF THIS DRAWING IS THE PROPERTY OF HONEYWELL LTD. THE DRAWING IS SUPPLIED IN CONFIDENCE AND MUST NOT BE USED FOR ANY PURPOSE OTHER THAN THAT FOR WHICH IT IS SUPPLIED.					
THIRD ANGLE PROJECTION		SCALE 1:1		DIMENSIONS ARE IN MM/INCHES.	
				MODIFY ON CAD SYSTEM ONLY	