

Customer Name	Standard specification	FUJITSU MEDIA DEVICES LIMITED	
Application	IF Filter for TV(SIF+SIF(Switchable))		
System	D/K/I, B/G		
Picture Carrier Frequency	38.0 MHz	DATE	Jun. 27 2003
FMD Part Number	F817RPL	Version 1.3	

Table 1-1 Electrical Specification (Ta=25°C)

Channel 1 (PAL D/K/I)		Pin No.1&2=INPUT			Pin No.3=GROUND	
Items	Conditions	Specification			Unit	Remarks
		Min.	Typ.	Max.		
Insertion Loss	fp-6.5 (31.50 MHz)	11.3	12.8	14.3	dB	
Relative level	fp-8 (30.00 MHz)	-	-49	-40	dB	
	fp-6.55 (31.45 MHz)	- 1.1	- 0.1	0.9	dB	
	fp-6.5 (31.50 MHz)	-	0	-	dB	Reference
	fp-6 (32.00 MHz)	- 1.0	0.0	1.0	dB	
	fp-5.5 (32.50 MHz)	- 2.0	- 0.8	0.4	dB	
	fp-4.43 (33.57 MHz)	-	-42	-30	dB	
	fp (38.00 MHz)	-	-48	-40	dB	
	fp+1.5 (39.50 MHz)	-	-45	-40	dB	
	fp+2.0 (40.00 MHz)	-	-46	-40	dB	
	fp+2.5 (40.50 MHz)	-	-47	-40	dB	
	25.00 ~ 30.00 MHz	-	-44	-38	dB	
	38.00 ~ 45.00 MHz	-	-38	-35	dB	
	Input Capacitance	Cin1 (1.0 MHz)	-	19.3	-	pF
Output Capacitance	Cout (1.0 MHz)	-	11.3	-	pF	
Temperature coefficient		-	-72	-	ppm/°C	

Customer Name	Standard specification	FUJITSU MEDIA DEVICES LIMITED	
Application	IF Filter for TV(SIF+SIF(Switchable))		
System	D/K/I, B/G		
Picture Carrier Frequency	38.0 MHz	DATE	Jun. 27 2003
FMD Part Number	F817RPL	Version 1.3	

Table 1-2 Electrical Specification (Ta=25°C)

Channel 2 (PAL B/G)						
		Pin No.1=INPUT		Pin No.2&3=GROUND		
Items	Conditions	Specification			Unit	Remarks
		Min.	Typ.	Max.		
Insertion Loss	fp-5.5 (32.50 MHz)	-	11.3	-	dB	
Relative level	fp-8.0 (30.00 MHz)	-	-50	-40	dB	
	fp-6.5 (31.50 MHz)	-	-44	-37	dB	
	fp-6.0 (32.00 MHz)	-10.7	-8.7	-6.7	dB	
	fp-5.85 (32.15 MHz)	-5.7	-4.2	-2.7	dB	
	fp-5.742 (32.258 MHz)	-3.4	-2.2	-1.0	dB	
	fp-5.5 (32.50 MHz)	-	0	-	dB	Reference
	fp-4.43 (33.57 MHz)	-	-36	-30	dB	
	fp (38.00 MHz)	-	-52	-40	dB	
	fp+1.5 (39.50 MHz)	-	-51	-40	dB	
	fp+2.0 (40.00 MHz)	-	-56	-40	dB	
	fp+2.15 (40.15 MHz)	-	-54	-40	dB	
	25.00 ~ 30.00 MHz	-	-45	-39	dB	
	38.00 ~ 45.00 MHz	-	-46	-38	dB	
	Input Capacitance	Cin2 (1.0 MHz)	-	15.3	-	pF
Output Capacitance	Cout (1.0 MHz)	-	11.3	-	pF	
Temperature coefficient		-	-72	-	ppm/°C	

Customer Name	Standard specification	FUJITSU MEDIA DEVICES LIMITED	
Application	IF Filter for TV(SIF+SIF(Switchable))		
System	D/K/I, B/G		
Picture Carrier Frequency	38.0 MHz	DATE	Jun. 27 2003
FMD Part Number	F817RPL	Version 1.3	

● **Dimensions**

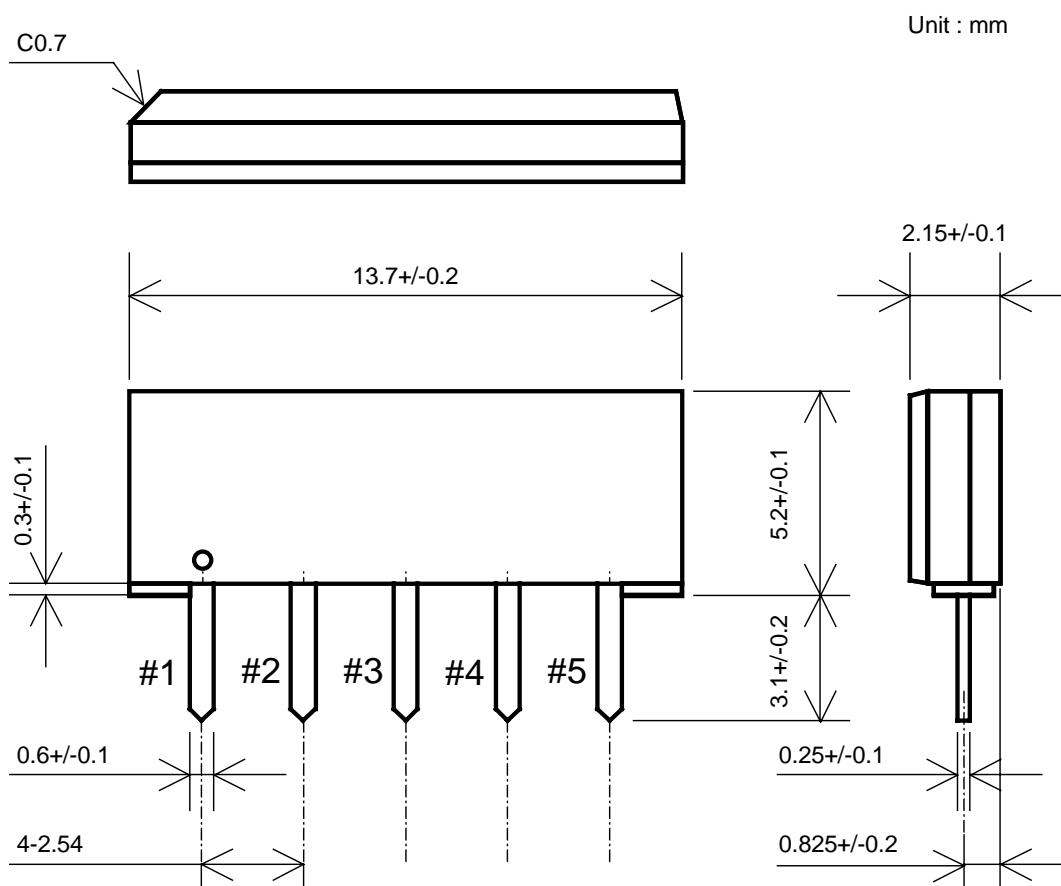


Fig.1

● **Pin Configuration**

Table 2

Pin No.	Symbol	Function
#1	IN	Input
#2	SW	Switching
#3	GND	Ground
#4	OUT	Output
#5	OUT	Output

Customer Name	Standard specification	FUJITSU MEDIA DEVICES LIMITED	
Application	IF Filter for TV(SIF+SIF(Switchable))		
System	D/K/I, B/G		
Picture Carrier Frequency	38.0 MHz	DATE	Jun. 27 2003
FMD Part Number	F817RPL	Version 1.3	

● **Evaluation Circuit**

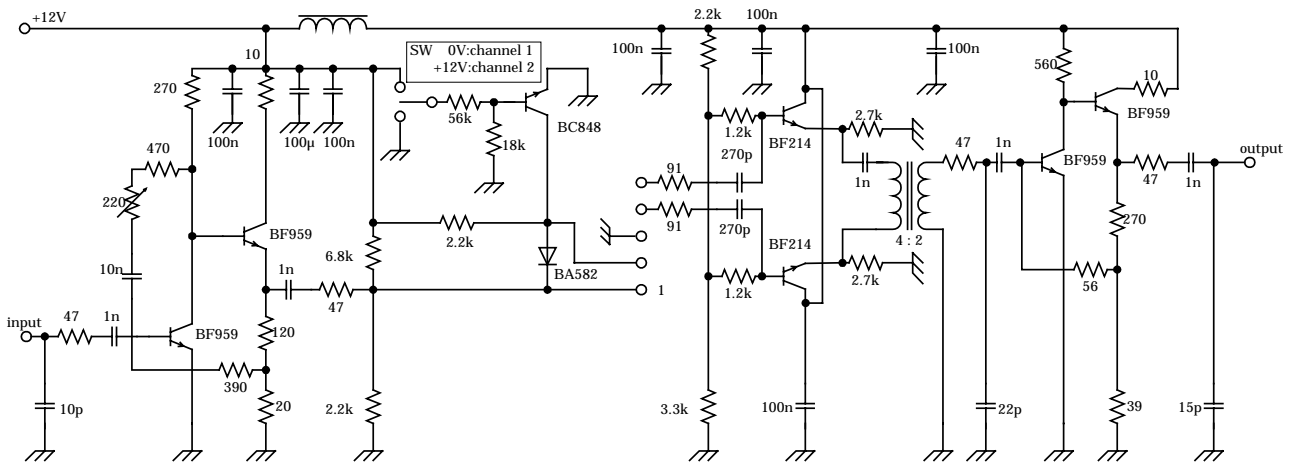


Fig.2 Evaluation circuit

● **Equivalent Circuit**

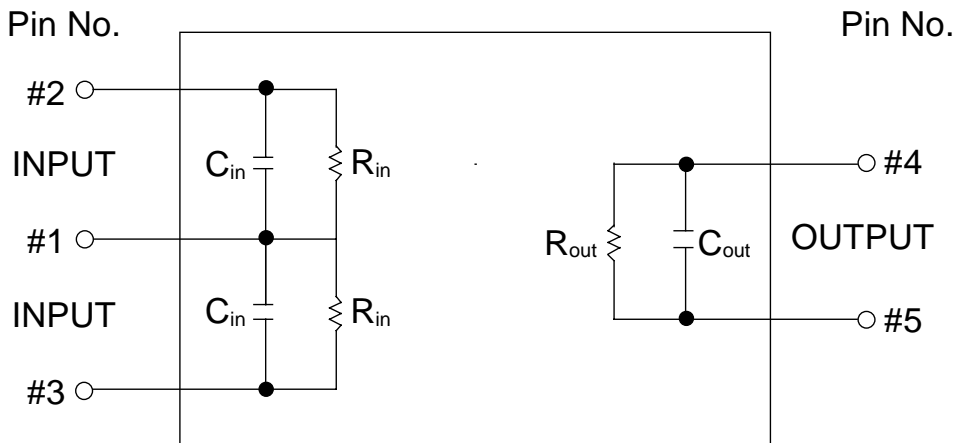
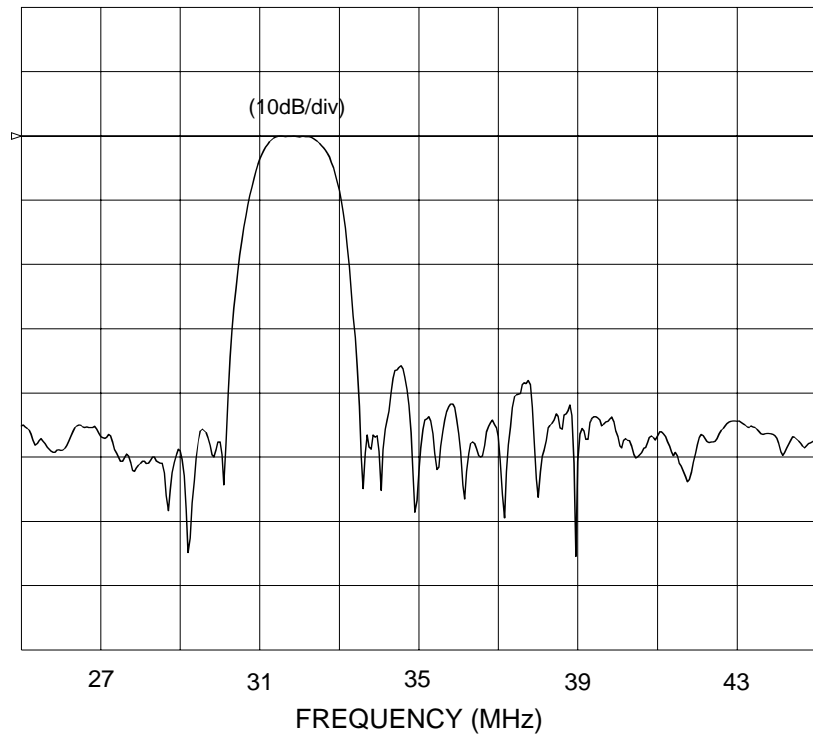


Fig.3 Equivalent circuit

Customer Name	Standard specification	FUJITSU MEDIA DEVICES LIMITED	
Application	IF Filter for TV(SIF+SIF(Switchable))		
System	D/K/I, B/G		
Picture Carrier Frequency	38.0 MHz	DATE	Jun. 27 2003
FMD Part Number	F817RPL	Version 1.3	

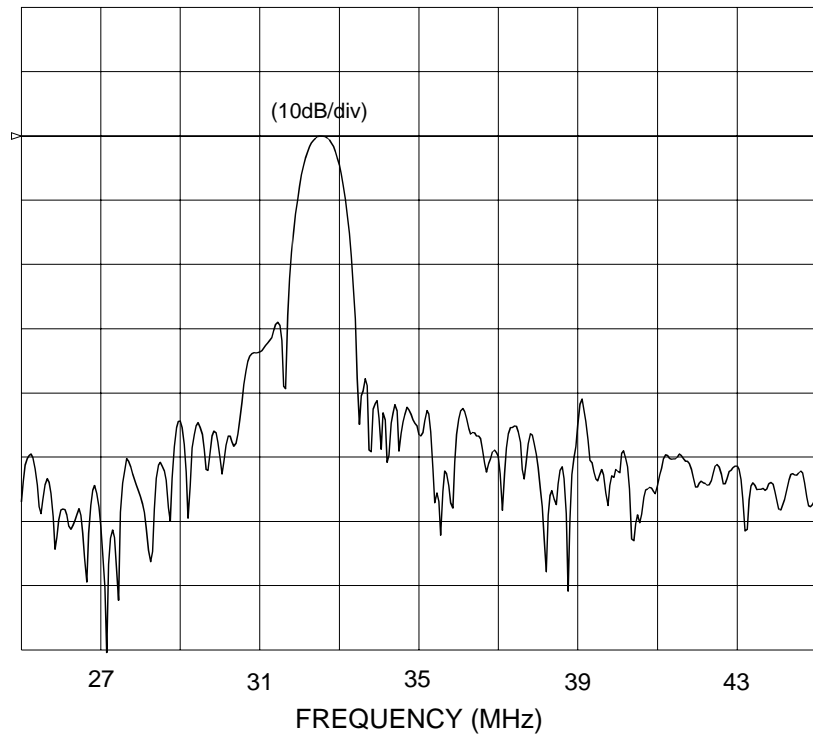
Channel 1 (D/K/I)



Frequency Characteristics

Customer Name	Standard specification	FUJITSU MEDIA DEVICES LIMITED	
Application	IF Filter for TV(SIF+SIF(Switchable))		
System	D/K/I, B/G		
Picture Carrier Frequency	38.0 MHz	DATE	Jun. 27 2003
FMD Part Number	F817RPL	Version 1.3	

Channel 2 (B/G)



Frequency Characteristics