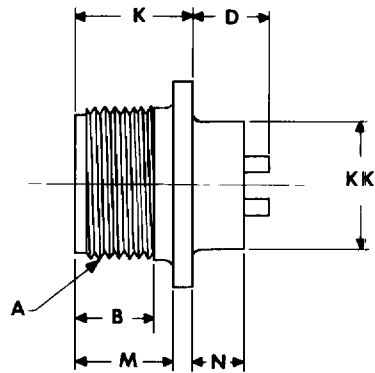
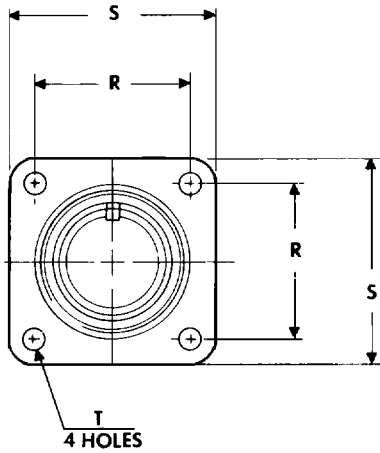


10-2442

box mounting receptacle



10-2442XX-XX*

*To complete order number, see page 10.
For insert and grommet availability, see page 12.

Order Number*	Shell Size	A Thread Class 2A	B Min. Full Thread	K +.020 - .010	M +.010 - .000	N +.000 - .010	R ±.005	S	T Dia. +.004 - .002	D +.050 - .060	KK Dia. +.010 - .000
10-244210	10S	.6250-24NEF	.391	.672	.562	.297	.719	1.000	.120	.679	.500
10-244211	10SL	.6250-24NEF	.391	.672	.562	.297	.719	1.000	.120	.679	.625
10-244212	12S	.7500-20UNEF	.450	.672	.562	.297	.812	1.094	.120	.679	.625
10-244213	12	.7500-20UNEF	.625	.860	.750	.484	.812	1.094	.120	.672	.625
10-244214	14S	.8750-20UNEF	.450	.672	.562	.297	.906	1.188	.120	.679	.750
10-244215	14	.8750-20UNEF	.625	.860	.750	.484	.906	1.188	.120	.672	.750
10-244216	16S	1.0000-20UNEF	.450	.672	.562	.297	.969	1.281	.120	.679	.875
10-244217	16	1.0000-20UNEF	.625	.860	.750	.484	.969	1.281	.120	.672	.875
10-244218	18	1.1250-18NEF	.625	.891	.750	.453	1.062	1.375	.120	.641	1.000
10-244220	20	1.2500-18NEF	.625	.891	.750	.453	1.156	1.500	.120	.641	1.125
10-244222	22	1.3750-18NEF	.625	.891	.750	.453	1.250	1.625	.120	.641	1.250

All dimensions for reference only