

INTEGRAL SYSTEM WITH SLIDING CONTACT

8 AND 16 POSITION



STANDARDS

FOR CARD: ISO 7810/7816

PHYSICAL PROPERTIES

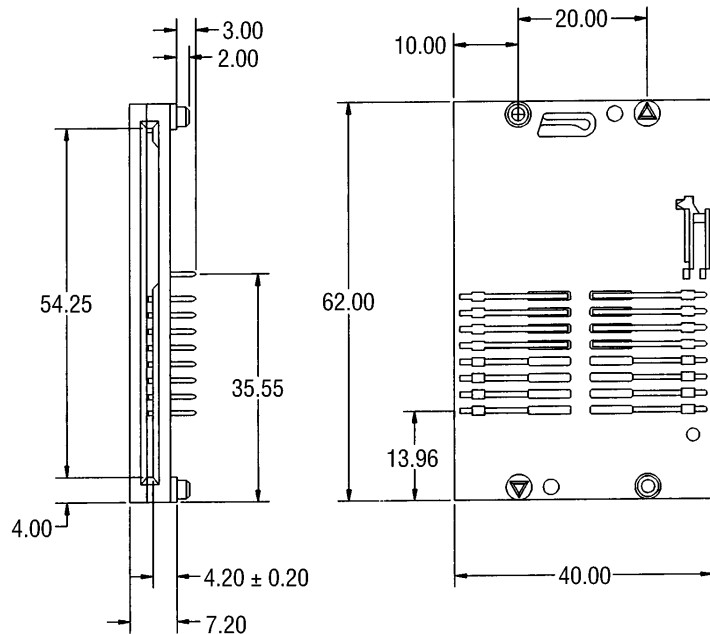
COLOR: Black
 LIFETIME: > 100,000 mating cycles
 INSULATION MATERIAL: High Temp. Polymer, UL94 V-0
 CONTACT MATERIAL: Cu alloy
 CONTACT PLATING: Au over Ni
 CONTACT FORCE: (0.3 - 0.5)N each contact
 SWITCH: Normally open

ELECTRICAL PROPERTIES

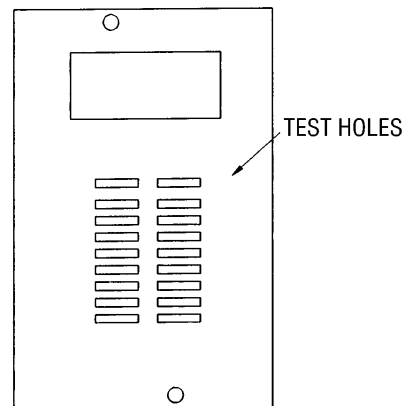
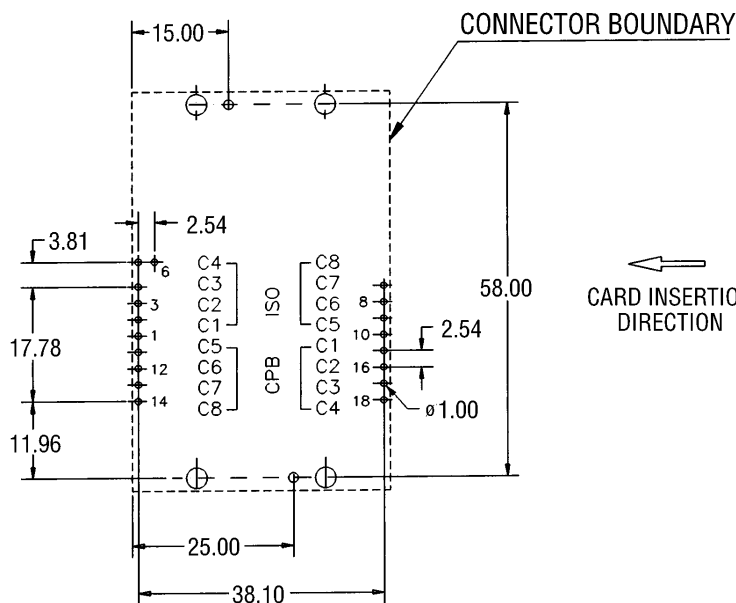
VOLTAGE RATING: 50 V max
 CURRENT RATING: 10µA min, 1 A max.
 CONTACT RESISTANCE: < 100 milliohm
 INSULATION RESISTANCE: > 10⁹ megaohm

ENVIRONMENTAL PROPERTIES

APPLICATION TEMPERATURE: -40°C to +85°C
 STORAGE TEMPERATURE: -40°C to +100°C
 MANUAL SOLDERING: 350°C, 2 sec.
 WAVE SOLDERING: 260°C, 5 sec.



Recommended Hole Pattern



Ordering Information

CAT. #	# OF POSITIONS
SCC01-312-08320	8
SCC01-312-16320	16

