

**SPECIFICATIONS**

**Mechanical**

**Contact Retention Force:** 0.51Kg (1.15Lb) min.  
**Durability:** 250 Cycles

**Electrical**

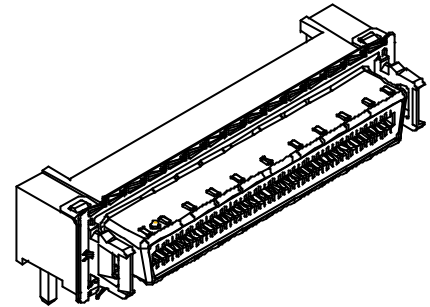
**Voltage Rating:** 30V  
**Current Rating:** 0.5A  
**Contact Resistance:** 80mW max.  
**Dielectrical Withstanding Voltage:** 500V  
**Insulation Resistance:** 1000MW min.

**Physical**

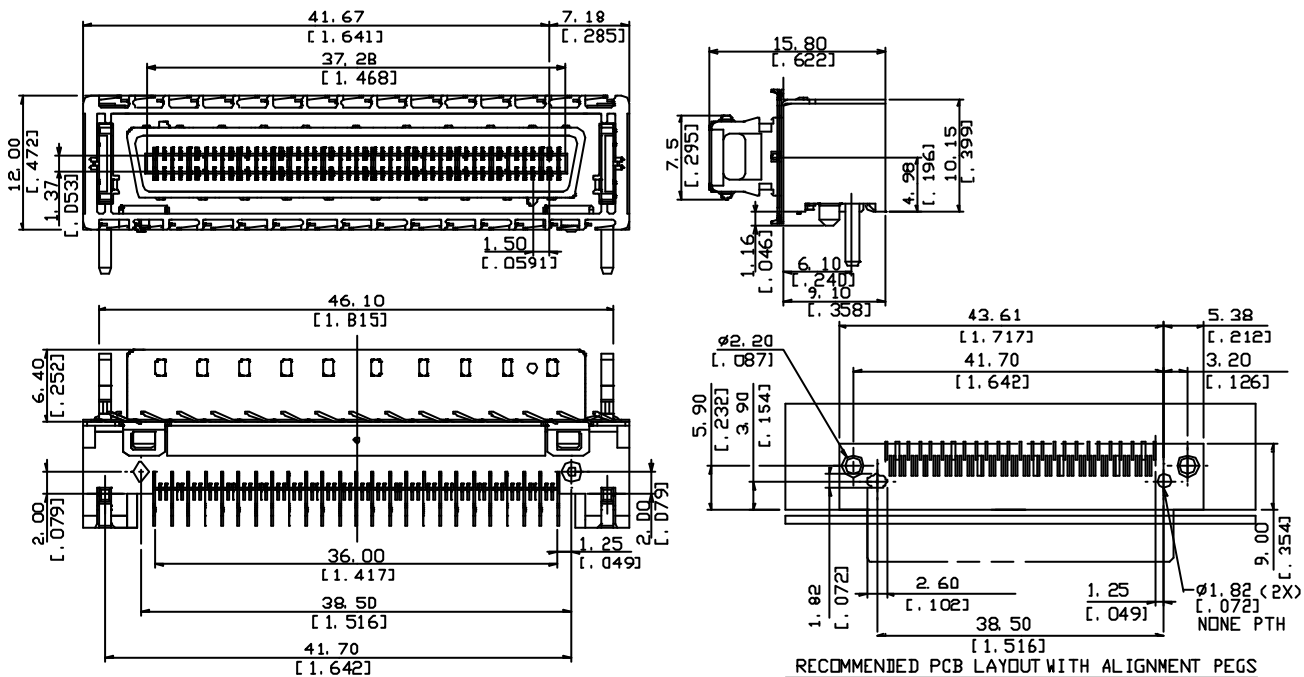
**Housing:** LCP, UL 94-0, Black  
**Front Shell:** Nickel Plated Steel  
**EMI Gasket:** Nickel Plated Phosphor Bronze  
**Latch:** Tin or Tin/lead Plated Brass  
**Contact:** Phosphor Bronze  
**Plating:** See "ORDERING INFORMATION"

**INFINIBAND CONNECTOR**

**2U Series**  
**Infiniband, 12X**  
**Receptacle Latch Type**



**DRAWING**



NOTES :  
 WITHOUT NONE PTH HOLE TO BE FOR 2U1\*\*0\*-\*\*\*-\*

**ORDERING INFORMATION**

PRODUCT NO.: 2 U 1 \* \* \* \* - \* \* \* \* - \*

- POS. NO.: \_\_\_\_\_
- 73: 73POS.
- Alignment post style'A" \_\_\_\_\_
- 0: W/O post
- 1: Free fit post
- 2: Press fit post
- PLATING SPEC. ON \_\_\_\_\_
- CONTACT AREA.
- 3: 30 μ" MIN. Gold
- B: Gold flash over 20 μ" Pd/Ni
- Lead Free Code
- N:None
- F:Lead Free
- Package Type
- 2:Tube
- Solder Post Length
- 1:3.12mm
- 2:2.32mm
- 3:4.80mm
- Coding key "C" \_\_\_\_\_
- Locking Option
- 1:Latch