

GENERAL NOTES:

1. MATERIAL:

HOUSING:

UPPER HOUSING: GLASS FILLED POLYESTER, UL 94V-0, COLOR: BLACK.
 LOWER HOUSING: GLASS FILLED POLYESTER, UL 94V-0, COLOR: BLACK.
 STRAIN RELIEF: GLASS FILLED POLYESTER, UL 94V-0, COLOR: BLACK.
 TERMINALS: PHOSPHOR BRONZE C52100 ALLOY.

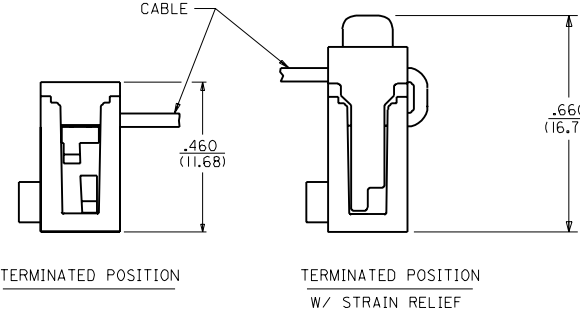
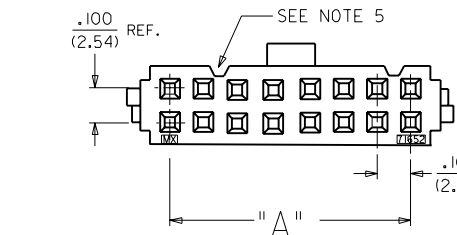
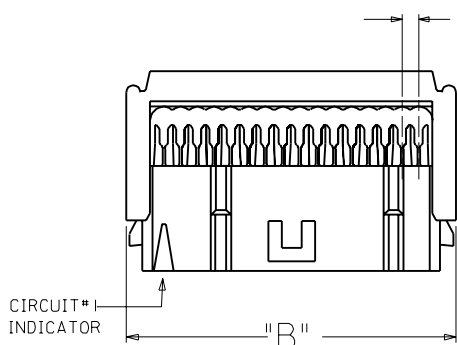
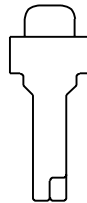
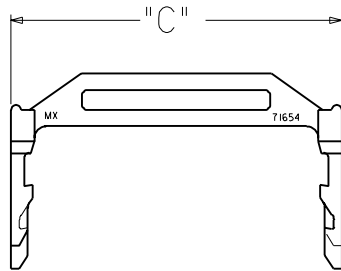
2. FINISH NOTES:

- (164) TIN-LEAD (Sn-Pb) ALLOY OVER ENTIRE PIN; THICKNESS=(3.75 MICROMETER)/75 MICROINCH MINIMUM; NICKEL (Ni) UNDERPLATE OVER ENTIRE PIN.
- (571) SELECTIVE GOLD (Au) IN THE CONTACT AREA; THICKNESS=(0.37 MICROMETER)/15 MICROINCH MINIMUM; SELECTIVE TIN-LEAD (Sn-Pb) ALLOY IN THE PC TAIL AREA; THICKNESS=(1.88 MICROMETER)/75 MICROINCH MINIMUM; NICKEL (Ni) UNDERPLATE OVER ENTIRE PIN.
- (574) SELECTIVE GOLD (Au) IN THE CONTACT AREA; THICKNESS=(0.75 MICROMETER)/30 MICROINCH MINIMUM; SELECTIVE TIN-LEAD (Sn-Pb) ALLOY IN THE PC TAIL AREA; THICKNESS=(1.88 MICROMETER)/75 MICROINCH MINIMUM; NICKEL (Ni) UNDERPLATE OVER ENTIRE PIN.

- 3. PRODUCT CONFORMS TO PS-70625 PRODUCT SPEC.
- 4. FOR ILLUSTRATION PURPOSES, 16 CKT SIZE ASSEMBLY IS SHOWN
- 5. THE SECOND POLARIZING FEATURE ON THIS END IS NON-EXISTENT ON 14 CKT. & SMALLER CONNECTORS.
- 6. CENTER KEY OPTIONAL. SEE PAGES 2 AND 3.
- 7. FOR USE WITH AWG #26 & #28 STRANDED WIRE, (1.14)/.045 MAX. DIA INSULATION RIBBON CABLE WITH (1.27)/.050 CENTERS.
- 8. CONNECTOR HOUSING MEETS MIL-C-83503/7B (USAF)

DIMENSIONS

DIMENSIONS			NO. OF CKTS.
A	B	C	
(7.62)	(14.55)	(14.81)	8
.300	.573	.583	
(10.16)	(17.09)	(17.38)	10
.400	.673	.683	
(12.70)	(19.63)	(19.89)	12
.500	.773	.783	
(15.24)	(22.17)	(22.43)	14
.600	.873	.883	
(17.78)	(24.74)	(24.97)	16
.700	.973	.983	
(22.86)	(29.79)	(30.05)	20
.900	1.173	1.183	
(25.40)	(32.33)	(32.59)	22
1.000	1.273	1.283	
(27.94)	(34.87)	(35.13)	24
1.100	1.373	1.383	
(30.48)	(37.41)	(37.67)	26
1.200	1.473	1.483	
(33.02)	(39.95)	(40.21)	28
1.300	1.573	1.583	
(35.56)	(42.49)	(42.75)	30
1.400	1.673	1.683	
(38.10)	(45.03)	(45.29)	32
1.500	1.773	1.783	
(40.64)	(47.57)	(47.83)	34
1.600	1.873	1.883	
(43.18)	(50.11)	(50.37)	36
1.700	1.973	1.983	
(48.26)	(55.19)	(55.45)	40
1.900	2.173	2.183	
(53.34)	(60.27)	(60.53)	44
2.100	2.373	2.383	
(60.96)	(67.89)	(68.15)	50
2.400	2.673	2.683	
(73.66)	(80.59)	(80.85)	60
2.900	3.173	3.183	
(76.20)	(83.13)	(83.39)	62
3.000	3.273	3.283	
(78.74)	(85.67)	(85.93)	64
3.100	3.373	3.383	



REVISIONS		
MFG.	SH.	REV.
3	C	
2	C	
1	C	

OBsolete TAPE PACK ECR# U072000-0927 DMORGAN 00/03/31

REVISED PER ECR U81411 MCGRATH 97/12/30

CHANGED MATERIAL PER ECR # U51214 95/06/06 CAC

RELEASED PER U21200 93/11/16 RB

REVISIONS

UNLESS OTHERWISE SPECIFIED TOLERANCES: ANGULAR ± 1/2°

3 PLACE	INCH	METRIC
± .005	---	---
± .01	± 0.13	---
---	± 0.25	---

DRAFT WHERE APPLICABLE MUST REMAIN WITHIN DIMENSIONS

MOLEX INCORPORATED LITTLE ROCK, AR 72202 U.S.A.

FILE NAME: S70625P01

DATE: 93/11/16

SHEET NO. 1 OF 5

REVISE ONLY ON CAD SYSTEM

TITLE: SALES ASSEMBLY CONNECTOR I.D./RIBBON CABLE TYPE WITH STRAIN RELIEF AND OPTIONAL CENTER POLARIZATION

DRWG. NO. SDA-70625-0-P

DRWG. BY: RB

DRWG. INCH: 4 : 1

DRWG. DATE: 93/11/16

DRWG. SCALE: 4 : 1

DRWG. FILE: S70625P01

DRWG. SHEET: 1 OF 5

DRWG. TITLE: SALES ASSEMBLY CONNECTOR I.D./RIBBON CABLE TYPE WITH STRAIN RELIEF AND OPTIONAL CENTER POLARIZATION

DRWG. BY: RB

DRWG. INCH: 4 : 1

DRWG. DATE: 93/11/16

DRWG. SCALE: 4 : 1

DRWG. FILE: S70625P01

DRWG. SHEET: 1 OF 5

DRWG. TITLE: SALES ASSEMBLY CONNECTOR I.D./RIBBON CABLE TYPE WITH STRAIN RELIEF AND OPTIONAL CENTER POLARIZATION

		13	12	11	10	9	8	7	6	70625	4	3	2	1	
CONNECTOR ASSEMBLY A-70625-0250P THRU 0490P WITHOUT CENTER POLARIZATION KEY WITH STRAIN RELIEF. PACKAGED PER PK-70873-0051 (85-22-0000).															
J	CKT SIZE	SEE PLATING NOTE (571)		SEE PLATING NOTE (574)		SEE PLATING NOTE (164)						SEE PLATING NOTE ()		J	
		EDP NO.	ENG NO.	EDP NO.	ENG NO.	EDP NO.	ENG NO.	EDP NO.	ENG NO.	EDP NO.	ENG NO.	EDP NO.	ENG NO.		
	8	15-49-4085	A-70625-0269P	15-49-4086	A-70625-0299P	15-49-4087	A-70625-0329P								
	10	15-49-4105	A-70625-0250P	15-49-4106	A-70625-0280P	15-49-4107	A-70625-0310P								
	12	15-49-4125	A-70625-0268P	15-49-4126	A-70625-0298P	15-49-4127	A-70625-0328P								
I	14	15-49-4145	A-70625-0251P	15-49-4146	A-70625-0281P	15-49-4147	A-70625-0311P								
	16	15-49-4165	A-70625-0252P	15-49-4166	A-70625-0282P	15-49-4167	A-70625-0312P								
	20	15-49-4205	A-70625-0253P	15-49-4206	A-70625-0283P	15-49-4207	A-70625-0313P								
	22	15-49-4225	A-70625-0254P	15-49-4226	A-70625-0284P	15-49-4227	A-70625-0314P								
	24	15-49-4245	A-70625-0255P	15-49-4246	A-70625-0285P	15-49-4247	A-70625-0315P								
H	26	15-49-4265	A-70625-0256P	15-49-4266	A-70625-0286P	15-49-4267	A-70625-0316P								
	28	15-49-4285	A-70625-0257P	15-49-4286	A-70625-0287P	15-49-4287	A-70625-0317P								
	30	15-49-4305	A-70625-0258P	15-49-4306	A-70625-0288P	15-49-4307	A-70625-0318P								
	32	15-49-4325	A-70625-0259P	15-49-4326	A-70625-0289P	15-49-4327	A-70625-0319P								
	34	15-49-4345	A-70625-0260P	15-49-4346	A-70625-0290P	15-49-4347	A-70625-0320P								
G	36	15-49-4365	A-70625-0261P	15-49-4366	A-70625-0291P	15-49-4367	A-70625-0321P								
	40	15-49-4405	A-70625-0262P	15-49-4406	A-70625-0292P	15-49-4407	A-70625-0322P								
	44	15-49-4445	A-70625-0267P	15-49-4446	A-70625-0297P	15-49-4447	A-70625-0327P								
	50	15-49-4505	A-70625-0263P	15-49-4506	A-70625-0293P	15-49-4507	A-70625-0323P								
	60	15-49-4605	A-70625-0264P	15-49-4606	A-70625-0294P	15-49-4607	A-70625-0324P								
	62	15-49-4625	A-70625-0265P	15-49-4626	A-70625-0295P	15-49-4627	A-70625-0325P								
F	64	15-49-4645	A-70625-0266P	15-49-4646	A-70625-0296P	15-49-4647	A-70625-0326P								
E															70625
D															
C															
B															
A															
		13	12	11	10	9	8	7	6	5	4	3	2	1	

DIMENSIONS SHOWN (METRIC) INCH		UNLESS OTHERWISE SPECIFIED TOLERANCES ANGLES ARE 1/2°		REVISIONS ONLY ON CAD SYSTEM	
INCH		METRIC		TITLE	
3 PLACE ±	---	3 PLACE ±	---	SALES DRAWING, CONNECTOR I.D./RIBBON CABLE TYPE WITH STRAIN RELIEF, AND OPTIONAL CENTER POLARIZATION.	
2 PLACE ±	±	2 PLACE ±	±	MOLEX INCORPORATED	
1 PLACE ---	±	1 PLACE ---	±	LISLE, ILL. 60532 U.S.A. SHEET NO. 3 DATE 93/11/16	
DRAFT WHERE APPLICABLE MUST REMAIN WITHIN DIMENSIONS				PART NO. SDA-70625-0P	
DRWG. BY RB		CHK'D. BY		FILE NAME S70625P03	
APP'D. BY DJB		SCALE ---:---		THIS DRAWING CONTAINS INFORMATION THAT IS PROPRIETARY TO MOLEX INC. AND SHOULD NOT BE USED WITHOUT WRITTEN PERMISSION	

LTR.	REVISIONS	LTR.	REVISIONS
	C		SEE SHEET I
	A		SEE SHEET I

70625