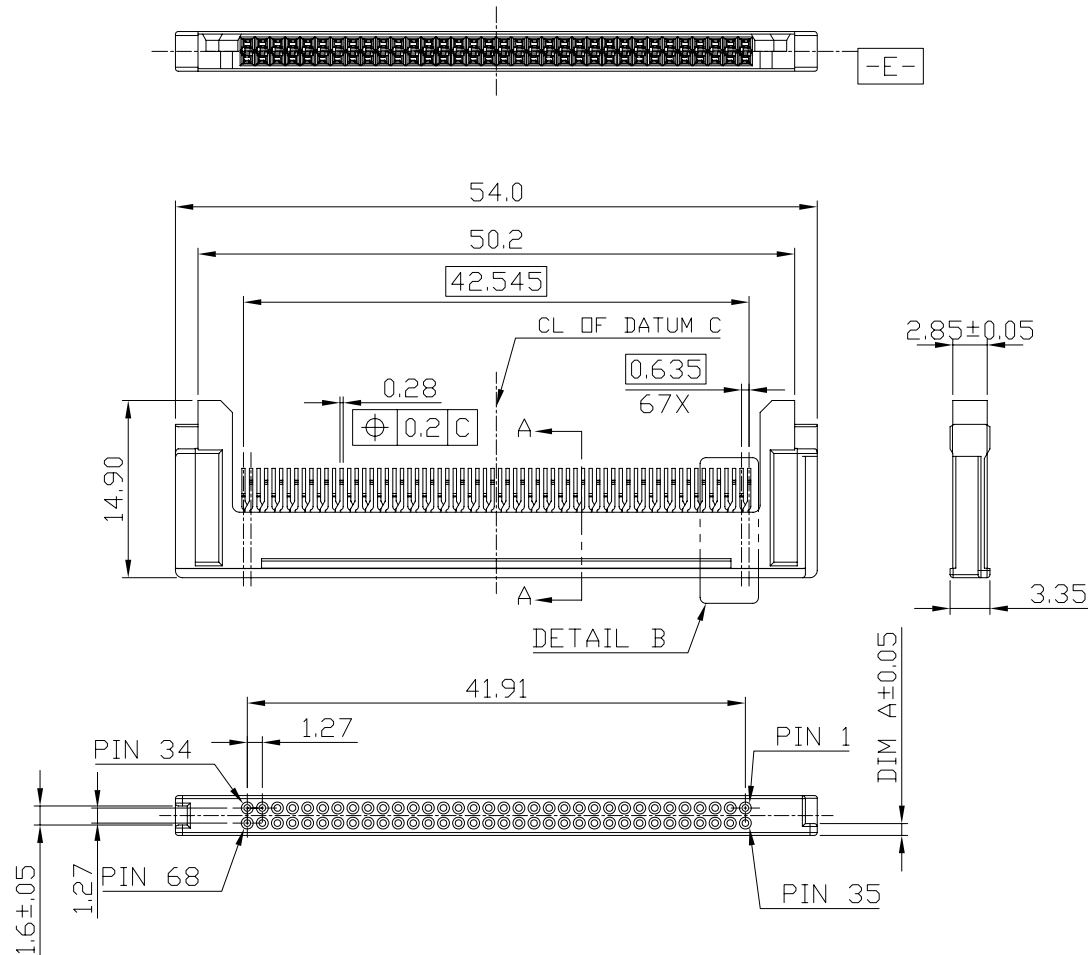




All rights strictly reserved. Reproduction or issue to third parties in any form whatever is not permitted without written authority from the proprietor. Property of FCI. Copyright FCI.

Tous droits strictement reserves. Reproduction ou communication a des tiers interdite sous quelque forme que ce soit sans autorisation ecrite du proprietaire. Propriete de c FCI. Droits de reproduction FCI.

PRODUCT NO.	DIM A	VOLTAGE KEY	BOARD OFFSET DIM C	PACKING
10014744				
-002 (-N02)	1.0	5.0V	0.3	SEE NOTE 5 FOR DETAIL DESCRIPTION
-003 (-N03)	1.0	5.0V	0	
-004 (-N04)	1.0	5.0V	-0.3	
-006 (-N06)	2.1	3.3V	0.3	
-007 (-N07)	2.1	3.3V	0	
-008 (-N08)	2.1	3.3V	-0.3	
-011 (N11)	1.0	5.0V	0.6	
-012 (-N12)	2.1	3.3V	0.6	
-013 (-N13)	1.0	5.0V	-0.6	
-014 (-N14)	2.1	3.3V	-0.6	
-015 (-N15)	1.0	5.0V	-0.8	
-021 (-N21)	1.0	5.0V	0	
SEE NOTE 6 FOR -NXX DETAIL				
SEE NOTE 7 FOR LEAD FREE DETAIL				
(NOTE: -021 & -N21 IS REVERSED TYPE)				



mat'l. code				tolerances unless otherwise specified				CUSTOMER COPY		 www.fciconnect.com	
ltr	ecn no	dr	date	linear	.X ±.3		projection		title		
H	0G08-0116	NZ	05/27/08		.XX ±.13				68PIN PCMCIA RECEPTACLE ASS'Y		
					.XXX ±.050				product family PCMCIA code -		
C	T03-0099	TAI	03/21/03	angles	0° ±2'		scale		size		
D	T03-0186	TAI	05/21/03	dr	KENNY TAI	12/17/02	1:1		10014744		
E	T03-0332	TAI	07/22/04	enrg	KENNY TAI	12/17/02			sheet 1 of 4		
F	T03-0358	TAI	08/23/04	chr	KENNY TAI	12/17/02					
G	0G06-0154	CS	04/06/06	appd	PAUL WANG	12/17/02					
sheet index	revision sheet	H	H	H	H						
		1	2	3	4						

ACAD

PDM: Rev:H

STATUS: Released

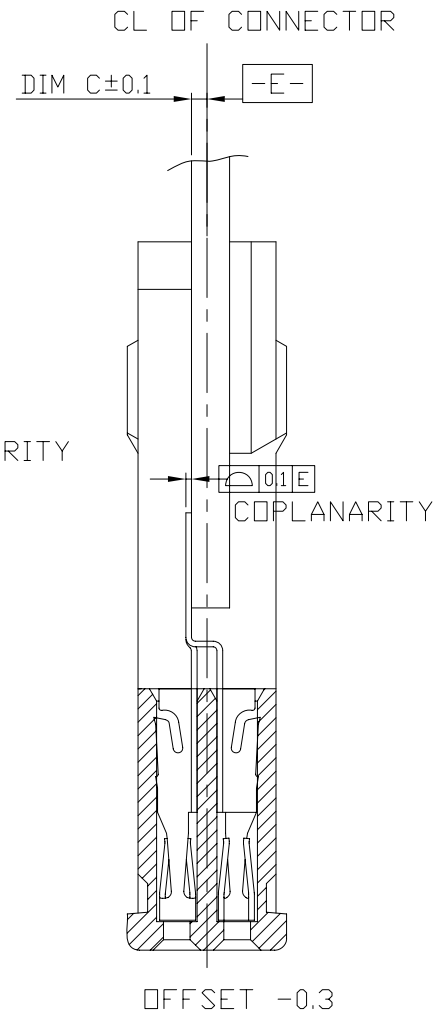
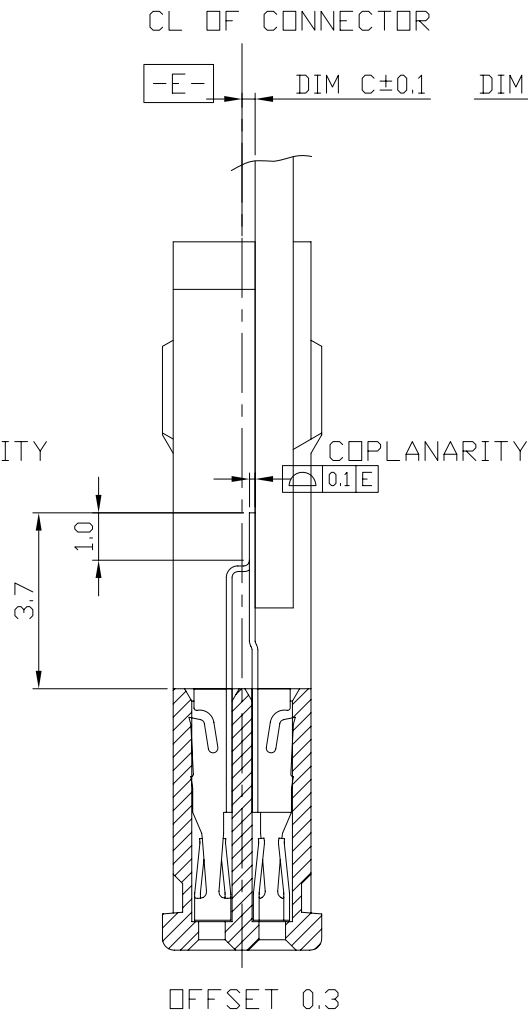
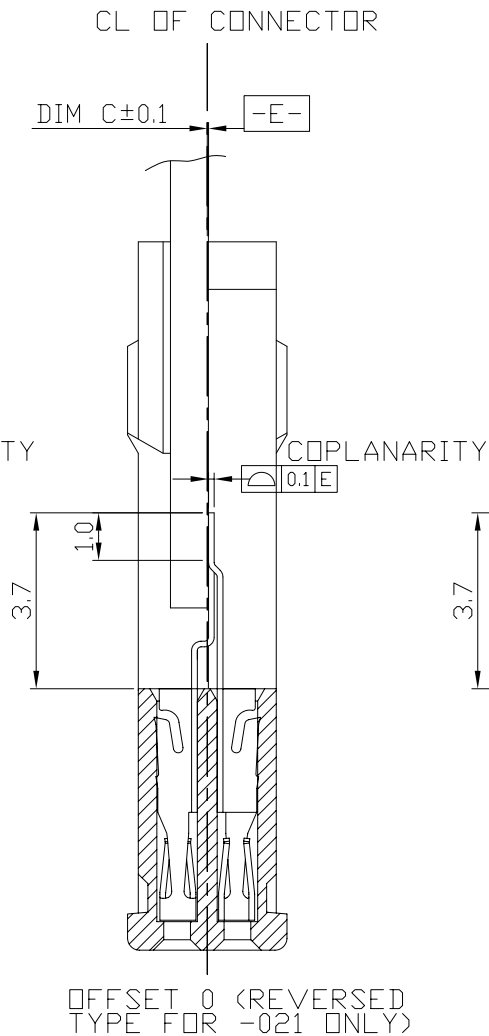
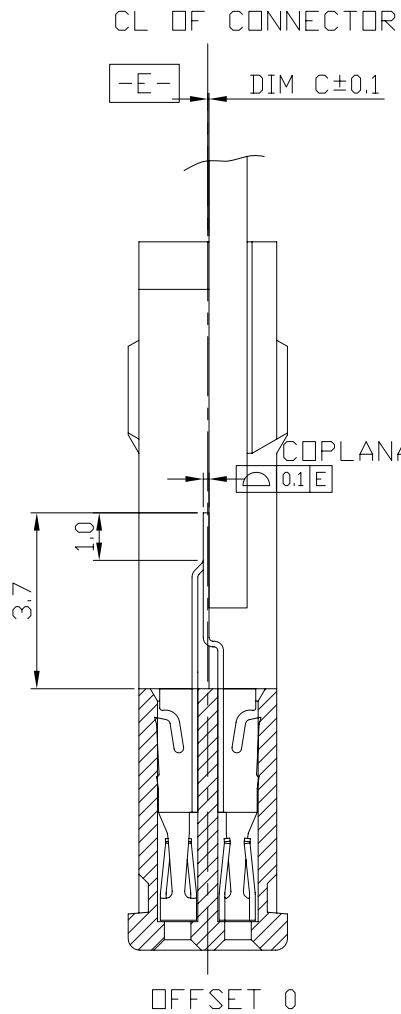
Printed: Jun 07, 2008


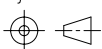
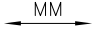
cage code 22526

All rights strictly reserved. Reproduction or issue to third parties in any form whatever is not permitted without written authority from the proprietor. Property of FCI. Copyright FCI.

Tous droits strictement réservés. Reproduction ou communication à des tiers interdite sous quelque forme que ce soit sans autorisation écrite du propriétaire. Propriété de c FCI. Droits de reproduction FCI.

**FCI**



mat'l. code				tolerances unless otherwise specified			CUSTOMER COPY		 <b>FCI</b> www.fciconnect.com	
ltr	ecn no	dr	date	linear	.X ± .3		projection			
H				linear	.XX ± .13				title	
				linear	.XXX ± .050				68PIN PCMCIA RECEPTACLE ASS'Y	
				angles	0° ± 2'		 MM		product family PCMCIA	
				dr	KENNY TAI	12/17/02			size	
				enrg	KENNY TAI	12/17/02	A3		10014744	sheet 2 of
				chr	KENNY TAI	12/17/02	scale			
				appd	PAUL WANG	12/17/02	1:1			
sheet index	revision sheet									

cage code  
22526

ACAD

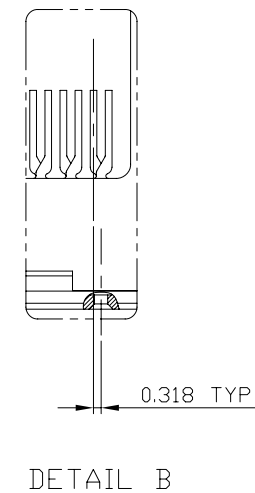
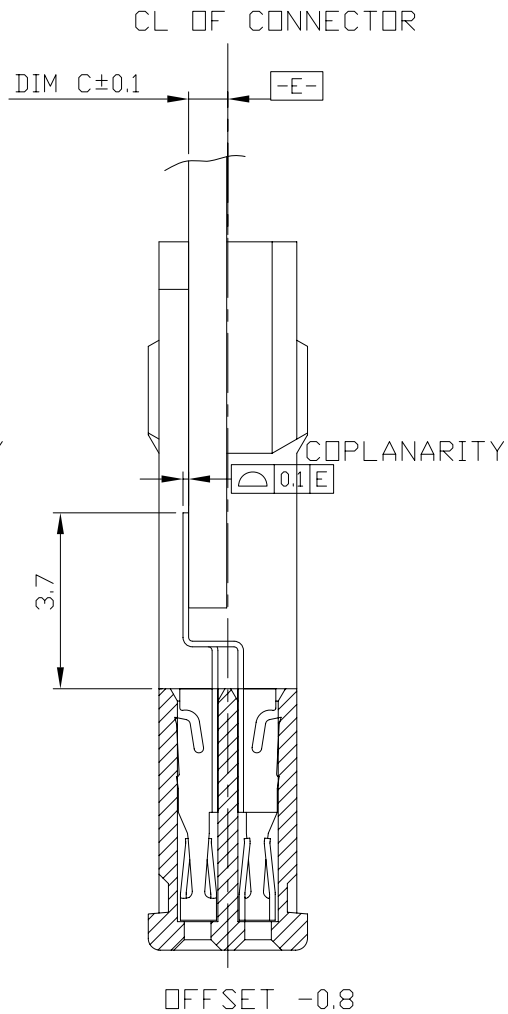
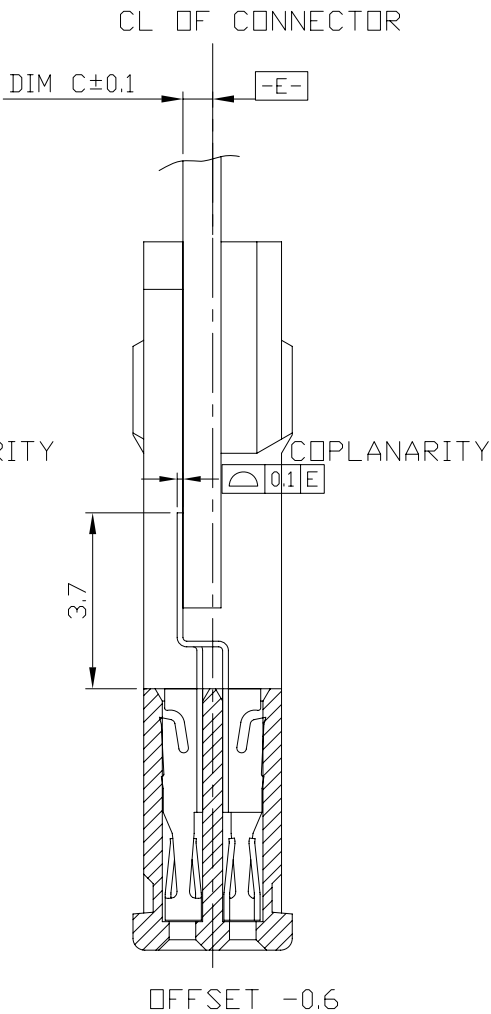
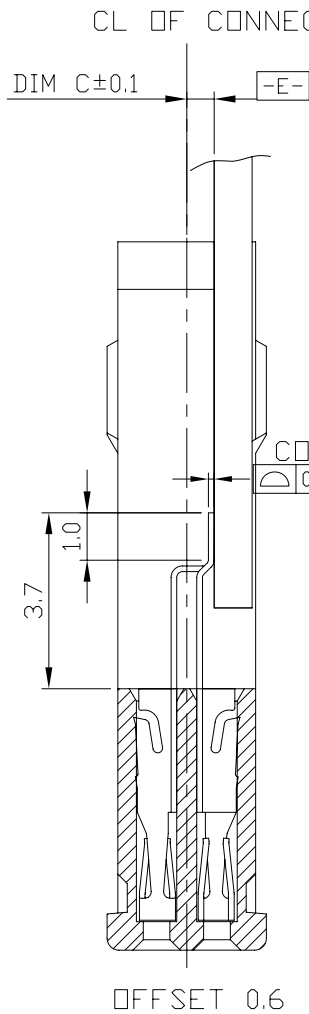
PDM: Rev:H

STATUS: Released

Printed: Jun 07, 2008

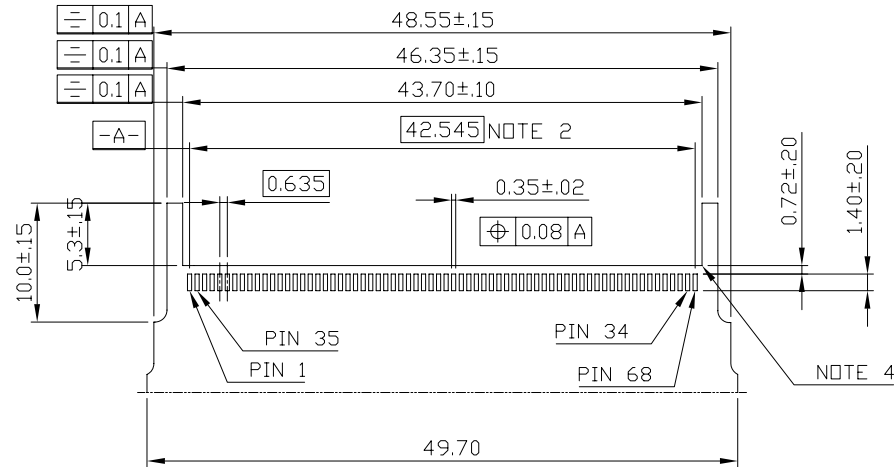
All rights strictly reserved. Reproduction or issue to third parties in any form whatever is not permitted without written authority from the proprietor. Property of FCI. Copyright FCI.

Tous droits strictement réservés. Reproduction ou communication à des tiers interdite sous quelque forme que ce soit sans autorisation écrite du propriétaire. Propriété de c FCI. Droits de reproduction FCI.




mat'l. code				tolerances unless otherwise specified			CUSTOMER COPY	 www.fciconnect.com
ltr	ecn no	dr	date	linear	.X ±.3	projection		
H					.XX ±.13			68PIN PCMCIA RECEPTACLE ASS'Y
				angles	.XXX ±.050	MM		
				dr	0° ±2'		scale	code
				enrg		1:1		size
				chr			A3	10014744
				appd				sheet
sheet index	revision sheet						3 of	

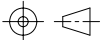
cage code 22526



RECOMMENDED P.C.B. LAYOUT

NOTE:

- MATERIAL:  
CONTACT: PHBR 0.12t  
HOUSING: LCP UL94V-0 (BLACK COLOR: -XXX; NATURAL COLOR: -NXX)
- FINISH:  
CONTACT: ALL OVER--- Ni UNDER 0.5 MICRON THK.  
CONTACT AREA--- Au or GXT 0.38 MICRON THK.   
SOLDER TAIL---TIN LEAD 2.5 MICRON THK.
- MAXIMUM PCB BOW ON THIS DIMENSION IS 0.1mm.
- PACKING SPEC. REFER TO GS-14-723.
- ELIMINATE THE CORNER TO PREVENT INTERFERENCE WITH SOLDER TAIL.
- XXX (-NXX) USE STD. PACKAGE, 1872 PCS / CARTON;  
-XXXT (-NXXT) USE TAPE AND REEL, 750 PCS / REEL;  
-XXXX (-NXXX) USE STD. PACKAGE, 200 PCS / CARTON;  
-XXXXA (-NXXXA) USE TAPE AND REEL, 600 PCS / REEL.
- NXX USE NATURAL COLOR HOUSING. EX. -N02 IS THE SAME WITH -002 EXCEPT NATURAL COLOR.
- XXXXLF IS LEAD FREE PLATING. SOLDER TAIL IS PLATED TIN 2.5 MICRON.
- PRODUCT SPEC. REFER TO GS-12-228.

mat'l. code				tolerances unless otherwise specified				CUSTOMER COPY		FCI www.fciconnect.com	
ltr	ecn no	dr	date	linear	.X ±.3			projection	title		
H					.XX ±.13				68PIN PCMCIA RECEPTACLE ASS'Y		
				angles	.XXX ±.050				product family PCMCIA		code
				dr	KENNY TAI	12/17/02	MM		size		—
				enrg	KENNY TAI	12/17/02	scale	dwg no		sheet	
				chr	KENNY TAI	12/17/02		1:1	10014744		4 of
				appd	PAUL WANG	12/17/02					
sheet index	revision sheet										

cage code 22526