

# SKY65132: WLAN Power Amplifier Module

## Applications

- IEEE802.11 b/g WLAN
- ISM band
- WCS fixed wireless
- Wireless access nodes

## Features


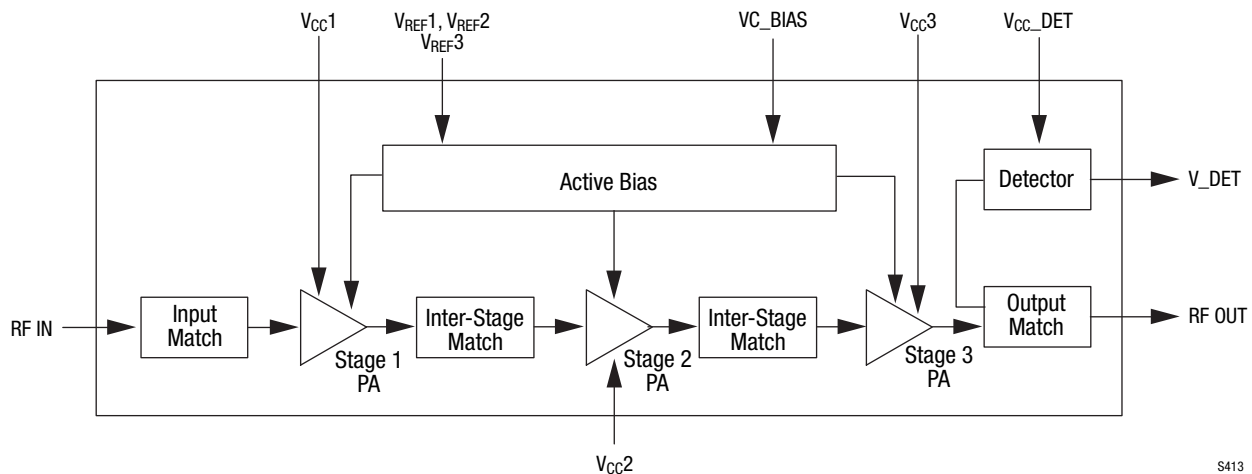
- Single 3.3 V supply
- Linear output power of 29 dBm for IEEE802.11b mask
- Linear output power of 27 dBm for IEEE802.11g mask
- High gain of 33 dB
- Output power detector: 20 dB dynamic range
- Superior gain flatness
- Internal RF match and bias circuits
- Small footprint, MCM (20-pin, 6 x 6 mm) Pb-free (MSL3, 250 °C per JEDEC J-STD-020) SMT package

## Description

Skyworks CX65001 Power Amplifier (PA) driver offers a desirable combination of features that provide superb performance and ease of use in a low-cost Surface-Mounted Technology (SMT) package. The Gallium Arsenide (GaAs) Heterojunction Bipolar Transistor (HBT) device was developed and optimized for extreme linear performance in a variety of applications. It is ideal as a driver or output stage for transceivers and repeaters for Trans-European Trunked Radio (TETRA) transceivers, GSM400 and paging base stations, mobile radios, and many other applications.

A functional block diagram for the CX65001 is shown in Figure 1. Recommended operating conditions are provided in Table 1. Package dimensions for the 5.994 x 4.928 mm Small Outline Integrated Circuit (SOIC) are shown in Figure 2.

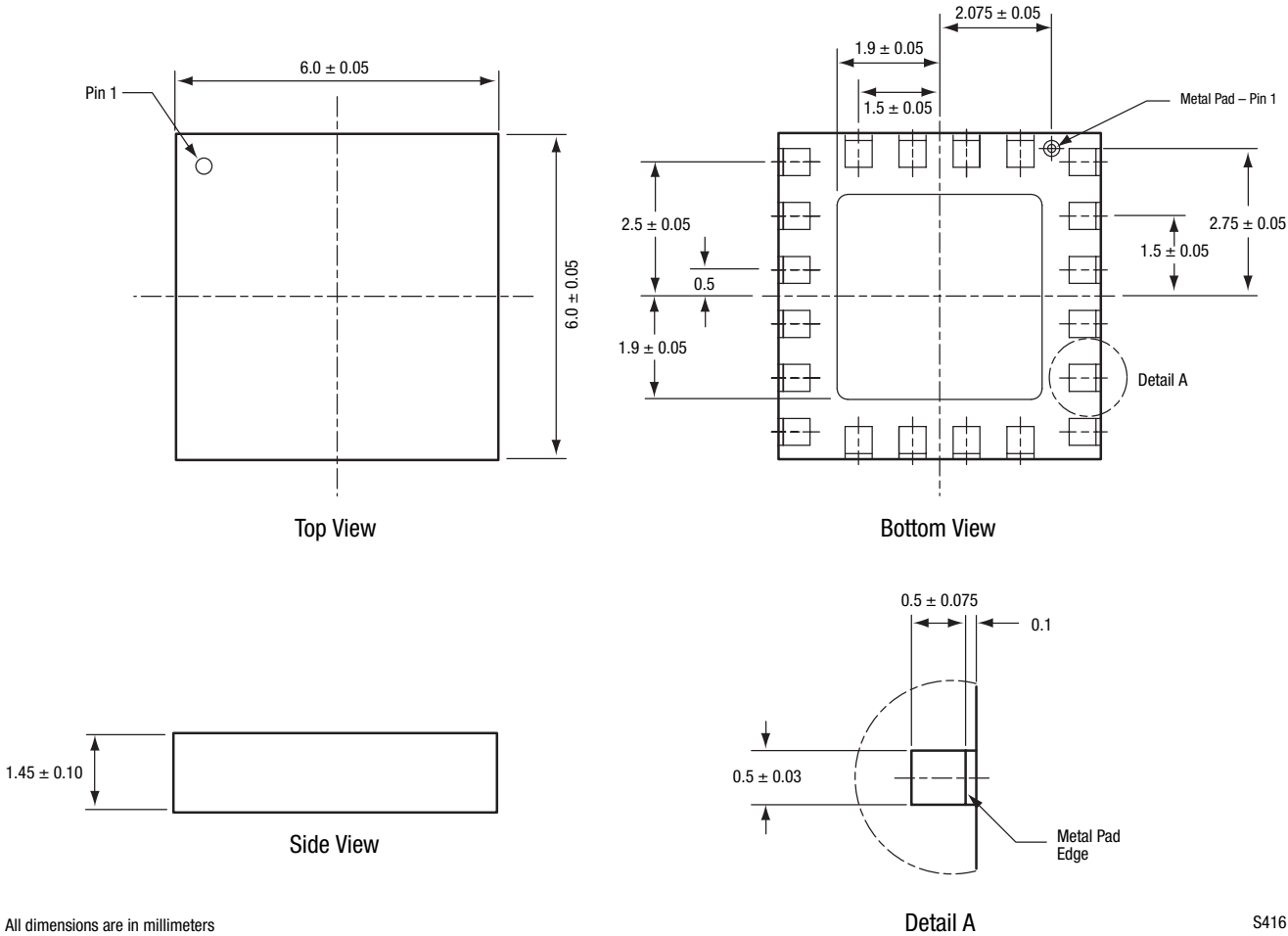
**NEW** Skyworks offers lead (Pb)-free, RoHS (Restriction of Hazardous Substances)-compliant packaging.

**Figure 1. SKY65132 Functional Block Diagram**

**Table 1. SKY65132 Recommended Operating Conditions**

Parameter	Symbol	Min	Typical	Max	Units
RF input power	$P_{IN}$			-8	dBm
Supply voltage	$V_{CC1}$ , $V_{C\_BIAS}$ , $V_{REF1}$ , $V_{REF2}$ , $V_{CC2}$ , and $V_{CC\_DET}$	3	3.3	3.6	V
Case operating temperature	$T_C$	-40		+85	°C
Storage temperature	$T_{ST}$	-55		+125	°C



All dimensions are in millimeters

S416

**Figure 2. SKY65132 16-Pin MCM Package Dimensions**

**Ordering Information**

Model Name	Manufacturing Part Number	Evaluation Kit Part Number
SKY65132 WLAN Power Amplifier Module	SKY65132-21 (Pb-free package)	TW13-D121