

RS232 Interface Solutions

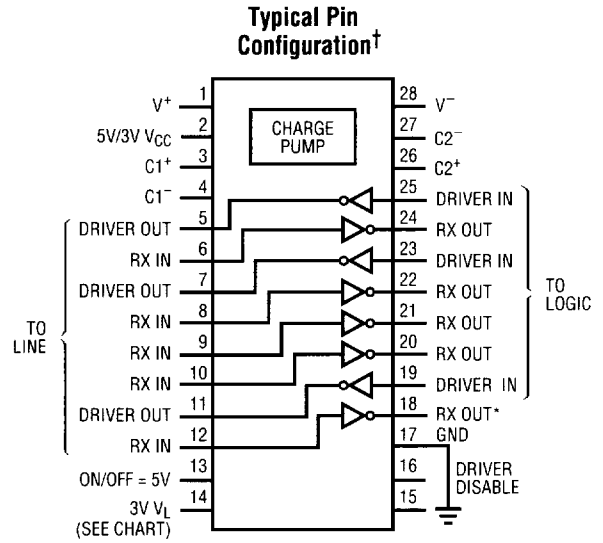
Complete RS232 PC Serial Ports: 3 Drivers, 5 Receivers

- ±10kV ESD Protection
- 3V Logic Compatible
- Receiver Keep-Alive in Shutdown
- SOIC Packages (Ask about SSOP)
- Ultra-Low Power (LTC1337: 1.5mW)
- Flowthrough Architecture
- 0.1µF Capacitors
- Low Power Shutdown
- 120k Baud Operation
- Capable of Mouse Driving
- 3.3V or 5V Powered

SUPPLY VOLTAGE	3V OR 5V LOGIC	TYP POWER DISS(mW)	Rx ACTIVE IN SHDN	I _Q IN SHDN (µA)	DRIVER DISABLE	10kV ESD	0.1µF CAPS	DEVICE TYPE
5	5	60	0	1	X	X	X	LT1137A
5	5	30	1	60	X	X	X*	LT1237
3	3	1.5	0	1	—	X	X	LTC1327
5 & 3	3	30	1	60	X	X	X*	LT1330
3	3	42	1	60	X	X	X	LT1331
5 & 3	3	34	1	60	X	X	X*	LT1331
3	3	1.5	1	70	—	X	X	LT1332**
5	5	1.5	0	1	—	X	X	LTC1337
5	5	60	1	60	X	X	X	LT1341
5 & 3	3	60	0	1	X	X	X	LT1342
5	5	1.5	5	80	—	X	X	LTC1347
3	3	1.5	0 or 5	0.2 or 10	—	X	X	LTC1348
5	5	1.5	2	35	—	X	X	LTC1349
3	3	1.5	2	35	—	X	X	LTC1350

*Requires one 1µF capacitor

** Works with switching power supply to generate full RS232 output levels from 3V supplies



* REMAINS ALIVE IN SHUTDOWN DEPENDING ON PART TYPE

† EXCEPT LT1332 AND LTC1348

©11

5V Powered RS232 2 Driver/2 Receiver Circuits

- Rugged Bipolar Construction
- Immune to Latch-Up
- ±10kV ESD Protection
- Low Power Shutdown
- 0.1µF Charge Pump Capacitors
- 3-State Outputs When Shut Down

SHUTDOWN/RS232 AND TTL THREE-STATE OUTPUTS	FAULT TOLERANT TO ±25V	COMMENTS	PART NUMBER
Yes	Yes	Ideal for Surface Mount, 10kV ESD	LT1180A
No	Yes	Replaces MAX202, 232A, 10kV ESD	LT1181A
Yes	Yes	Low Power LT1080	LT1280A
No	Yes	Low Power LT1081	LT1281A
No	±15V	Replaces MAX202	LT1381*
Yes	Yes	Ultra-Low Power LT1180A	LTC1382
No	Yes	Ultra-Low Power LT1181A, MAX232A Replacement	LTC1383*
Yes	Yes	Ultra-Low Power LT1180A w/ 2Rx Alive in SHDN	LTC1384
Yes	Yes	Ultra-Low Power 3V LT1180A	LTC1385
No	Yes	Ultra-Low Power 3V LT1181A	LTC1386*

*Narrow 16-lead SOIC package

