



SMA Female Bulkhead Connector Solder Attachment Solder Cup Terminal, .250 inch Diameter

TECHNICAL DATA SHEET

PE4549

SMA Female Bulkhead Connector Solder Attachment Solder Cup Terminal, .250 inch Diameter

Configuration

Connector	SMA Female
Connector Specification	MIL-C-39012
Connector Interface Type	Solder Cup
Cable Attachment Method (Shield/Contact)	Solder
Body Style	Straight
Mount Method	Bulkhead

Electrical Specifications

Impedance, Ohms	50
-----------------	----

Mechanical Specifications

Size

Length, in [mm]	0.663 [16.84]
Width/Dia., in [mm]	0.312 [7.92]
Weight, lbs [g]	0.005 [2.27]

Connector

Type	SMA Female
Contact Material and Plating	Gold
Body Material and Plating	Stainless Steel, Gold

Compliance Certifications (visit www.Pasternack.com for current document)

RoHS Compliant	Yes
----------------	-----

Plotted and Other Data

Notes:	Values at 25 °C, sea level
--------	----------------------------

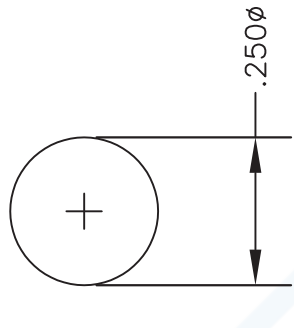
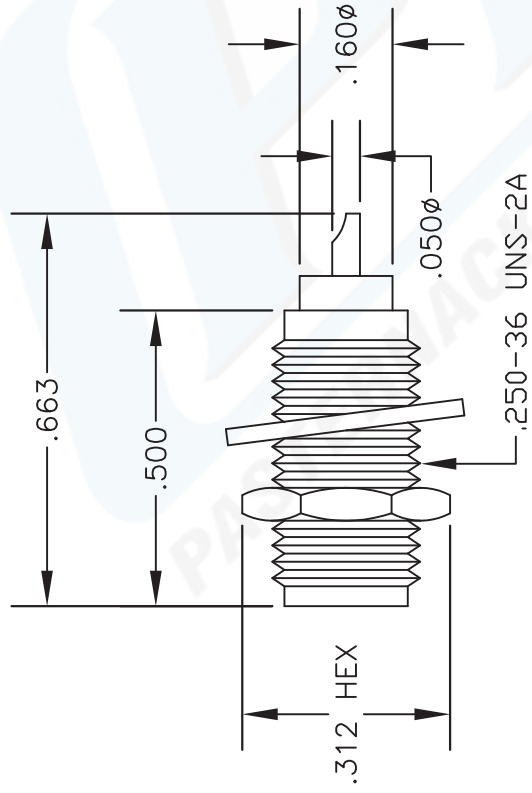
SMA Female Bulkhead Connector Solder Attachment Solder Cup Terminal, .250 inch Diameter from Pasternack Enterprises has same day shipment for domestic and International orders. Our RF, microwave and fiber optic products maintain a 99% availability and are part of the broadest selection in the industry.

Click the following link (or enter part number in "SEARCH" on website) to obtain additional part information including price, inventory and certifications: [SMA Female Bulkhead Connector Solder Attachment Solder Cup Terminal, .250 inch Diameter PE4549](http://www.pasternack.com/sma-female-standard-solder-cup-terminal-connector-pe4549-p.aspx)

URL: <http://www.pasternack.com/sma-female-standard-solder-cup-terminal-connector-pe4549-p.aspx>

The information contained in this document is accurate to the best of our knowledge and representative of the part described herein. It may be necessary to make modifications to the part and/or the documentation of the part, in order to implement improvements. Pasternack reserves the right to make such changes as required. Unless otherwise stated, all specifications are nominal.

MATERIALS	
BODY	STAINLESS STEEL GOLD PLATED
CONTACT	GOLD PLATED
INSULATOR	PTFE



MOUNTING HOLE



PASTERNAK ENTERPRISES, INC.
 P O BOX 16759, IRVINE, CA 92623
 PHONE (949) 261-1920 FAX (949) 261-7451
 WEB ADDRESS: www.pasternack.com
 E-MAIL ADDRESS: sales@pasternack.com

COAXIAL & FIBER OPTICS

DWG TITLE	DES.	CAD FILE	SCALE	127
PE4549	SMA FEMALE, BULKHEAD, RECEPTACLE FOR MICROWAVE INTEGRATED CIRCUIT WITH SOLDER CUP CONTACT	060302	N/A	
SIZE A	FSCM NO. 53919			

NOTES:

1. UNLESS OTHERWISE SPECIFIED ALL DIMENSIONS ARE NOMINAL.
2. ALL SPECIFICATIONS ARE SUBJECT TO CHANGE WITHOUT NOTICE AT ANY TIME.