

SPECIFICATIONS

Mechanical

Mating Force: 4.0Pounds max.
Unmating Force: 4.0Pounds max.
Durability: 1000 Cycles

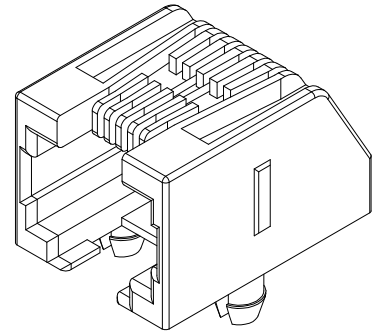
Electrical

Current Rating: 1.5A max.
Dielectric Withstanding Voltage: 1500VAC

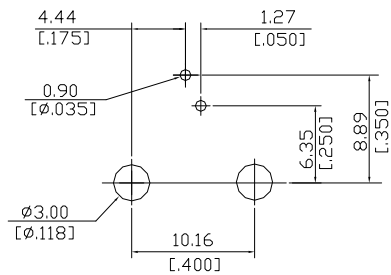
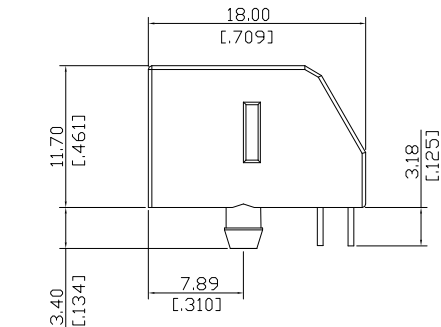
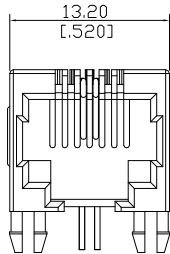
Physical

Housing: UL 94V-0, Cool Grey 5C PBT, Glass
Contact: Phosphor bronze
Operating Temperature: -40 to +85

JM Series
RJ11,1X1,6P2C
T/D,T/H,



DRAWING



RECOMMENDED PCB LAYOUT
 SCALE 2:1

ORDERING INFORMATION

PRODUCT NO.: JM 1 6 6 1 1 - KA04 - 4 F

SERIES PREFIX:
 JM=MODULAR JACK

BODY & TERMINATION:
 1=R/A ALL PLASTIC T/H

Design TYPE:
 6=WITHOUT/TOP & SIDE PANEL-GND,

POS. TYPE:
 6=6P2C

NO. of Body:
 1=Single Port

LEAD FREE CODE:
 F=LEAD-FREE

PACKAGE TYPE:
 4=SOFT TRAY

HOUSING COLOR:
 KA04=COOL GREY 5C

CONTACT PLATING:
 1=6u" GOLD PLATING