

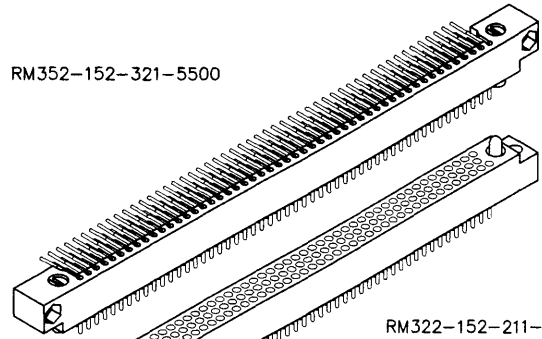
# 3 • ROW Daughterboard to Motherboard or Chassis

.025"

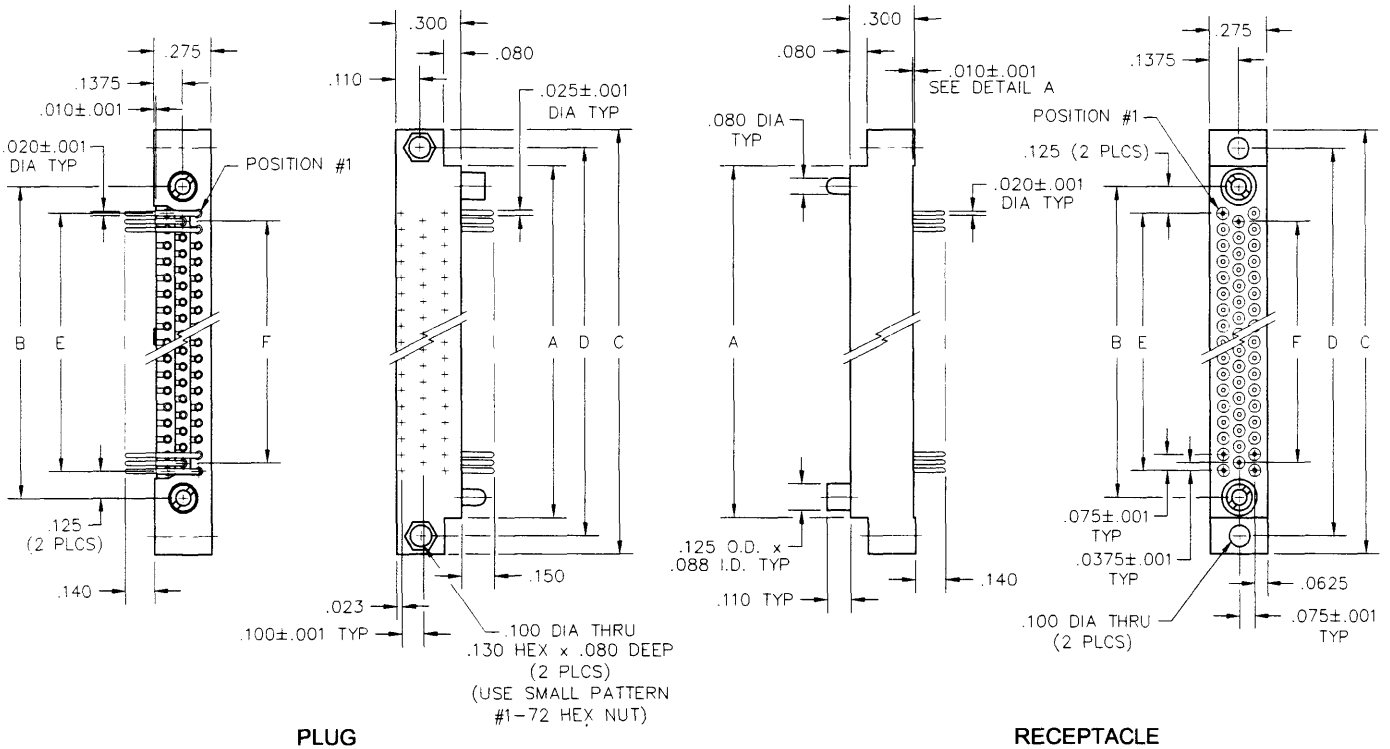
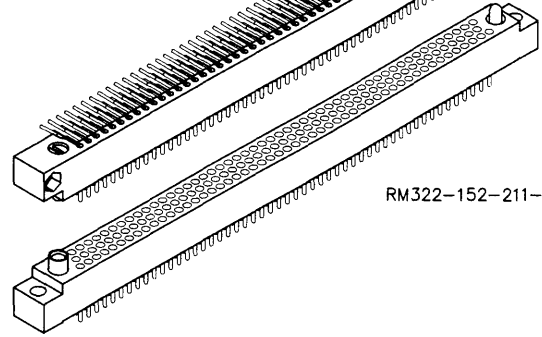
**RM3**

11 thru 206 Contacts

RM352-152-321-5500



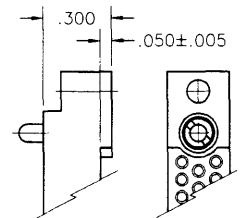
RM322-152-211-5500



PLUG

RECEPTACLE

DIMENSIONS						
SIZE	A	B	C	D	E	F
11	.665	.475	1.005	.835	.225	.150
23	.965	.775	1.305	1.135	.525	.450
35	1.265	1.075	1.605	1.435	.825	.750
47	1.565	1.375	1.905	1.735	1.125	1.050
59	1.865	1.675	2.205	2.035	1.425	1.350
71	2.165	1.975	2.505	2.335	1.725	1.650
80	2.390	2.200	2.730	2.560	1.950	1.875
122	3.440	3.250	3.780	3.610	3.000	2.925
152	4.190	4.000	4.530	4.360	3.750	3.675
206	5.540	5.350	5.880	5.710	5.100	5.025



DETAIL A  
SIZES 11-71

PLUG: RM352-152-321-5500  
 RECEPTACLE: RM322-152-211-5500  
 XXXXX-XXX-XXX-XXXXXX

**PLUG**

**RECEPTACLE**

**SERIES**

RM .075" Screw Machine PC Connector | RM .075" Screw Machine PC Connector

**BODY**

3 3-Row | 3 3-Row

**BODY STYLE:**  
 5 Plug, right angle, with mounting ears | 2 Receptacle, straight, with mounting ears  
 7 Plug, right angle, without mounting ears | 4 Receptacle, straight, without mounting ears

**BODY MATERIAL:**  
 2 Polyphenylene sulfide (PPS) | 2 Polyphenylene sulfide (PPS)

**SIZE**

011, 023, 035, 047, 059, 071, 080, 122, 152, 206 | 011, 023, 035, 047, 059, 071, 080, 122, 152, 206

**CONTACTS**

**TYPE CONTACTS/TERMINATIONS:**  
 31 Pin, right angle, dip solder, .109" x .020" dia  
 32 Pin, right angle, dip solder, .140" x .020" dia  
 33 Pin, right angle, dip solder, .172" x .020" dia  
 34 Pin, right angle, dip solder, .109" x .016" dia  
 35 Pin, right angle, dip solder, .140" x .016" dia  
 36 Pin, right angle, dip solder, .172" x .016" dia

**TYPE CONTACTS/TERMINATIONS:**  
 20 Socket, straight, dip solder, .109" x .020" dia  
 21 Socket, straight, dip solder, .140" x .020" dia  
 22 Socket, straight, dip solder, .172" x .020" dia  
 24 Socket, straight, solder cup  
 25 Socket, straight, flex circuit, .093" x .017" dia  
 26 Socket, straight, wire wrap®, .500" x .018 sq  
 27 Socket, straight, wire wrap®, .375" x .018 sq  
 28 Socket, straight, wire wrap®, .625" x .018 sq  
 29 Socket, connector saver, .150" x .025" dia  
 50 Socket, straight, dip solder, .140" x .016" dia  
 51 Socket, straight, dip solder, .172" x .016" dia  
 53 Socket, straight, stacking, .212" x .025" dia  
 54 Socket, straight, stacking, .244" x .025" dia  
 55 Socket, straight, stacking, .275" x .025" dia  
 64 Socket, straight, press-fit, .203" (Board .093"-.125" thk)  
 65 Socket, straight, press-fit, .323" (Board .156"-.200" thk)  
 66 Socket, straight, press-fit, .403" (Board .250"+ thk)

**PLATING OPTIONS:**  
 1 Gold plated termination  
 2 Pre-tinned termination

**PLATING OPTIONS:**  
 1 Gold plated termination  
 2 Pre-tinned termination (except solder cup or flex)

**HARDWARE**

**STYLE OF HARDWARE:**  
 (See R-37, R-38 & R-39 for all options)  
 0256 None  
 55 Guide set  
 57 Two guide pins  
 58 Two guide sockets  
 29 Fixed jackset  
 30 Fixed jackset, reversed  
 19 Two fixed jackscrews  
 20 Two fixed jacksockets  
 59 Hex turning jackset, .200"  
 60 Hex turning jackset, reversed, .200"  
 61 Two hex turning jackscrews, .200"  
 62 Two hex turning jacksockets, .200"  
 64 Turning jackset, .490"  
 65 Turning jackset, reversed, .490"  
 66 Two turning jackscrews, .490"  
 67 Two turning jacksockets, .490"

**STYLE OF HARDWARE:**  
 (See R-37, R-38 & R-39 for all options)  
 0256 None  
 55 Guide set  
 57 Two guide pins  
 58 Two guide sockets  
 29 Fixed jackset  
 30 Fixed jackset, reversed  
 19 Two fixed jackscrews  
 20 Two fixed jacksockets  
 59 Hex turning jackset, .200"  
 60 Hex turning jackset, reversed, .200"  
 61 Two hex turning jackscrews, .200"  
 62 Two hex turning jacksockets, .200"  
 64 Turning jackset, .490"  
 65 Turning jackset, reversed, .490"  
 66 Two turning jackscrews, .490"  
 67 Two turning jacksockets, .490"

**POLARIZATION:**  
 00 None  
 01 thru 68 are special identifiers, see R-34  
 70 Same configuration as 01 without Loctite®  
 (To be keyed by customer)

**POLARIZATION:**  
 00 None  
 01 thru 68 are special identifiers, see R-34  
 70 Same configuration as 01 without Loctite®  
 (To be keyed by customer)

**OPTIONS**

BN Bond #1-72, sm. pattern hex nuts into mtg. ears