

Product Specification

www.DataSheet4U.com

# SPECIFICATION FOR APPROVAL

- ( ◆ ) Preliminary Specification
- (   ) Final Specification

Title	15.0" XGA TFT LCD
-------	-------------------

BUYER	
MODEL	

SUPPLIER	LG.Philips LCD CO., Ltd.
*MODEL	LM150X05
SUFFIX	E3

\*When you obtain standard approval, please use the above model name without suffix

SIGNATURE	DATE
/	
/	
/	

APPROVED BY	DATE
Paul Lee / G.Manager	
<b>REVIEWED BY</b>	
S. G. Hong / Manager	
<b>PREPARED BY</b>	
J. Y. Lee / Engineer	

Please return 1 copy for your confirmation with your signature and comments.

**Product Engineering Dept.**  
**LG. Philips LCD Co., Ltd**

Product Specification

www.DataSheet4U.com

NO.	ITEM	Page
-	COVER	1
-	CONTENTS	2
-	RECORD OF REVISIONS	3
1	GENERAL DESCRIPTION	4
2	ABSOLUTE MAXIMUM RATINGS	5
3	ELECTRICAL SPECIFICATIONS	6
3-1	ELECTRICAL CHARACTREISTICS	6
3-2	INTERFACE CONNECTIONS	8
3-3	SIGNAL TIMING SPECIFICATIONS	11
3-4	SIGNAL TIMING WAVEFORMS	13
3-5	COLOR INPUT DATA REFERENECE	14
3-6	POWER SEQUENCE	15
3-7	POWER DIP CONDITION	16
4	OPTICAL SPECIFICATIONS	17
5	MECHANICAL CHARACTERISTICS	21
6	RELIABILITY	24
7	INTERNATIONAL STANDARDS	25
7-1	SAFETY	25
7-2	EMC	25
8	PACKING	26
8-1	DESIGNATION OF LOT MARK	26
8-2	PACKING FORM	26
9	PRECAUTIONS	27

## Product Specification

[www.DataSheet4U.com](http://www.DataSheet4U.com)**RECORDS OF REVISIONS**

Revision No	Date	Page	DESCRIPTION
0.0	Aug. 23, 2001	-	First Draft
0.1	Oct. 15, 2001	-	Second Draft

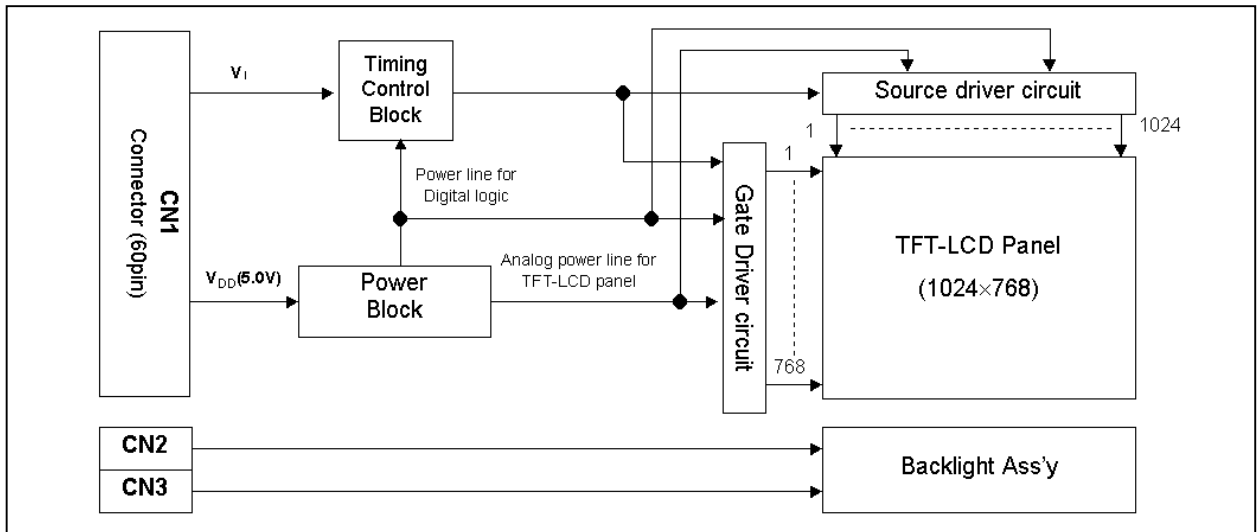
**Product Specification**

**1. General Description**

[www.DataSheet4U.com](http://www.DataSheet4U.com)

The LM150X05-E3 is a Color Active Matrix Liquid Crystal Display with an integral Cold Cathode Fluorescent Lamp(CCFL) backlight system. The matrix employs a-Si Thin Film Transistor as the active element. It is a transmissive type display operating in the normally white mode. This TFT-LCD has a 15.0 inches diagonally measured active display area with XGA resolution(768 vertical by 1024 horizontal pixel array). Each pixel is divided into Red, Green and Blue sub-pixels or dots which are arranged in vertical stripes. Gray scale or the brightness of the sub-pixel color is determined with a 6-bit gray scale signal for each dot, thus, presenting a palette of more than 262,144 colors.

The LM150X05-E3 has been designed to apply the 2-port TTL (2-pixel 1-clock) interface method. The LM150X05-E3 LCD is intended to support applications where high brightness, wide viewing angle, high color saturation, and high color depth are very important. In combination with the vertical arrangement of the sub-pixels, the LM150X05-E3 characteristics provide an excellent flat panel display for office automation products such as monitors.



[ figure 1 ] Block diagram

**General Features**

Active screen size	15.0 inches(304.1 x 228.1) diagonal
Outline Dimension	331.3(H) × 257.9(V) × 11.0(D) mm (Typ)
Pixel Pitch	0.297 mm x 0.297mm
Pixel format	1024 horiz. By 768 vert. Pixels RGB stripes arrangement
Color depth	6-bit, 262,144 colors
Luminance, white	250 cd/m <sup>2</sup> (Typ.)
Power Consumption	Total 9.0 Watt(Typ.)
Weight	1050g (Typ)
Display operating mode	Transmissive mode, normally white
Surface treatments	Hard coating(3H) Anti-glare treatment of the front polarizer

[www.DataSheet4U.com](http://www.DataSheet4U.com)

Product Specification

www.DataSheet4U.com

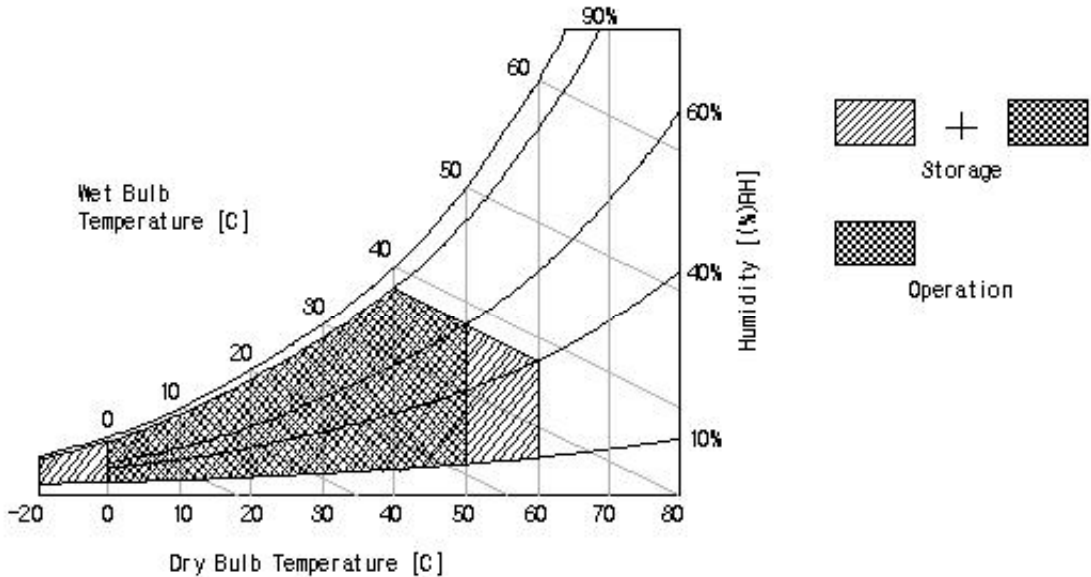
**2. Absolute Maximum Ratings**

The following are maximum values which, if exceeded, may cause operation or damage to the unit.

**Table 1. ABSOLUTE MAXIMUM RATINGS**

Parameter	symbol	Values		Units	Notes
		Min.	Max.		
Power Input Voltage	V <sub>DD</sub>	-0.3	5.5	Vdc	At 25 ± 5°C
Signal Input Voltage	V <sub>I</sub>	-0.3	3.6	V	
Operating Temperature	T <sub>OP</sub>	0	50	°C	1
Storage Temperature	T <sub>ST</sub>	-20	60	°C	1
Operating Ambient Humidity	H <sub>OP</sub>	10	90	%RH	1
Storage Humidity	H <sub>ST</sub>	10	90	%RH	1

Note : 1. Temperature and relative humidity range are shown in the [ figure 2 ]  
Wet bulb temperature should be 40 °C Max, and no condensation of water.



[ figure 2 ] Temperature and relative humidity

**Product Specification**
[www.DataSheet4U.com](http://www.DataSheet4U.com)
**3. Electrical Specifications**
**3-1. Electrical Characteristics**

The LM150X05-E3 requires two power inputs. One is employed to power the LCD electronics and to drive the TFT array and liquid crystal. Another which powers the CCFL, is typically generated by an inverter. The inverter is an external unit to the LCD.

**Table 2. ELECTRICAL CHARACTERISTICS**

Parameter	Symbol	Values			Units	Notes
		Min.	Typ.	Max.		
<b>MODULE :</b>						
Signal Input Voltage	$V_I$	3.0	3.3	3.6	V	
Power Supply Input Voltage	$V_{DD}$	4.5	5.0	5.5	V	
Permissible power input ripple	$V_{RF}$	-	-	0.1	$V_{PP}$	
Power Supply Input Current	$I_{DD}$	-	0.26	0.55	A	1
Power Consumption	$P_C$	-	1.3	3.1	Watts	
Rush Current	$I_{RUSH}$		1.0	2.0	A	2
<b>LAMP :</b>						
Operating Voltage	$V_{BL}$	460	480	590	$V_{RMS}$	3
Operating Current	$I_{BL}$	3.0	8.0	9.0	mA	
Established Starting Voltage	$V_{BS}$					4
at 25 °C		-	-	850	$V_{RMS}$	
at 0 °C		-	-	1100	$V_{RMS}$	
Operating Frequency	$f_{BL}$	45	60	80	kHz	5
Discharge Stabilization Time	$T_S$			3	Minutes	6
Power Consumption	$P_{BL}$	-	7.7	8.5	Watts	7
Life Time		30,000	-	-	Hrs	8

**Note.** The design of the inverter must have specifications for the lamp in LCD Assembly.

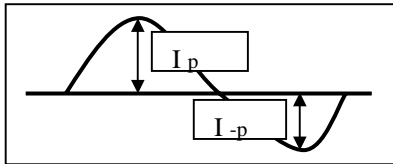
The performance of the Lamp in LCM, for example life time or brightness, is extremely influenced by the characteristics of the DC-AC Inverter. So all the parameters of an inverter should be carefully designed so as not to produce too much leakage current from high-voltage output of the inverter. When you design or order the inverter, please make sure unwanted lighting caused by the mismatch of the lamp and the inverter(no lighting, flicker, etc) never occurs. When you confirm it, the LCD Assembly should be operated in the same condition as installed in your instrument.

**Note.** Do not attach a conducting tape to lamp connecting wire.. If the lamp wire attach to conducting tape, TFT-LCD Module have a low luminance and the inverter has abnormal action because leakage current occurs between lamp wire and conducting tape.

1. The specified current and power consumption are under the  $V_{DD}=5.0V$ , 25°C,  $f_V$ (frame frequency) =60Hz condition whereas mosaic(black & white) pattern shown in the [ figure 3 ] is displayed.
2. The duration of rush current is about 20ms.
3. Operating voltage is measured under 25°C. The variance of the voltage is  $\pm 10\%$ .
4. The voltage above  $V_{BS}$  should be applied to the lamps for more than 1second for start-up. Otherwise, the lamps may not be turned on.

**Product Specification**

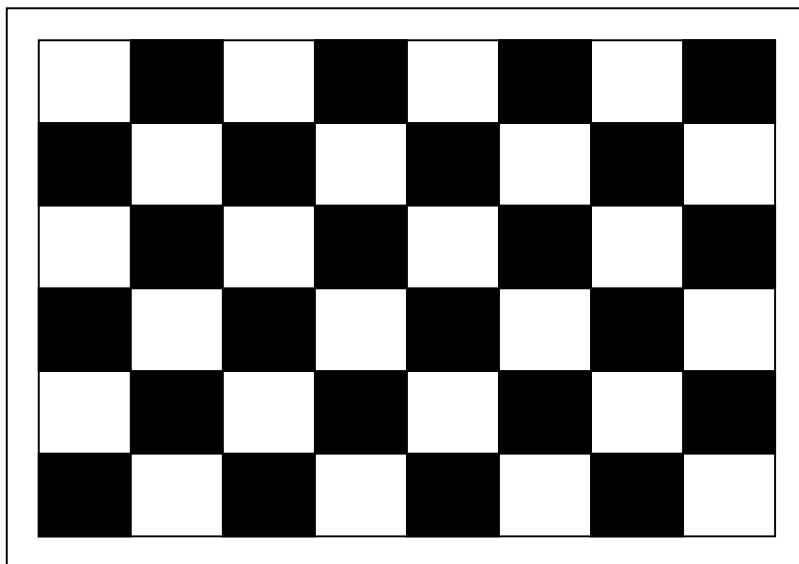
5. The output of the inverter must have symmetrical(negative and positive) voltage waveform and symmetrical current waveform.(Unsymmetrical ratio is less than 10%) Please do not use the inverter which has unsymmetrical voltage and unsymmetrical current and spike wave.  
Lamp frequency may produce interference with horizontal synchronous frequency and as a result this may cause beat on the display.Therefore lamp frequency shall be as away as possible from the horizontal synchronous frequency and from its harmonics in order to prevent interference.
6. Let's define the brightness of the lamp after being lighted for 5 minutes as 100%.  
 $T_s$  is the time required for the brightness of the center of the lamp to be not less than 95%.  
The used lamp current is the lamp typical current.
7. The lamp power consumption shown above does not include loss of external inverter under 25 °C.  
The used lamp current is the lamp typical current.
8. The life time is determined as the time at which brightness of lamp is 50% compared to that of initial value at the typical lamp current on condition of continuous operating at 25 ± 2°C.
9. Requirements for a system inverter design, which is intended to have a better display performance, a better power efficiency and a more reliable lamp.  
It shall help increase the lamp lifetime and reduce its leakage current.
  - a. The unbalance rate of the inverter waveform should be 10% below;
  - b. The distortion rate of the waveform should be within  $\sqrt{2} \pm 10\%$ ;
  - c. The ideal sine wave form shall be symmetric in positive and negative polarities.



\* **Asymmetry rate** =  $| I_p - I_{-p} | / I_{rms} * 100\%$

\* **Distortion rate** =  $I_p$  (or  $I_{-p}$ ) /  $I_{rms}$

10. Inverter open voltage must be more than lamp starting voltage.



[ figure 3 ] mosaic pattern for Power Consumption measurement

Product Specification

[www.DataSheet4U.com](http://www.DataSheet4U.com)

**3-2. Interface Connections**

This LCM has three interface connections, a 60 pin connector is used for the module electronics and, two three pin connectors are used for the integral back light system.

The interface pin configuration for the connector is shown in the table below.

LCD Connector : FX8-60S-SV(Hirose Electric Co.,Ltd.)

Mating Connector : FX8-60P-SV or FX8-60P-SV-1(Hirose Electric Co.,Ltd.)

**Table 3. MODULE CONNECTOR PIN CONFIGURATION**

Pin	Symbol	Description	Notes
1	GND	GND	
2	RB0	RED even data signal(LSB)	Even data means second pixel data
3	RB1	RED even data signal	
4	RB2	RED even data signal	
5	RB3	RED even data signal	
6	RB4	RED even data signal	
7	RB5	RED even data signal(MSB)	
8	GND	GND	
9	GB0	GREEN even data signal(LSB)	
10	GB1	GREEN even data signal	
11	GB2	GREEN even data signal	
12	GB3	GREEN even data signal	
13	GB4	GREEN even data signal	
14	GB5	GREEN even data signal(MSB)	
15	GND	GND	
16	BB0	BLUE even data signal(LSB)	
17	BB1	BLUE even data signal	
18	BB2	BLUE even data signal	
19	BB3	BLUE even data signal	
20	BB4	BLUE even data signal	
21	BB5	BLUE even data signal(MSB)	
22	GND	GND	
23	RA0	RED odd data signal(LSB)	Odd data means first pixel data
24	RA1	RED odd data signal	
25	RA2	RED odd data signal	
26	RA3	RED odd data signal	
27	RA4	RED odd data signal	
28	RA5	RED odd data signal(MSB)	
29	GND	GND	
30	GA0	GREEN odd data signal(LSB)	

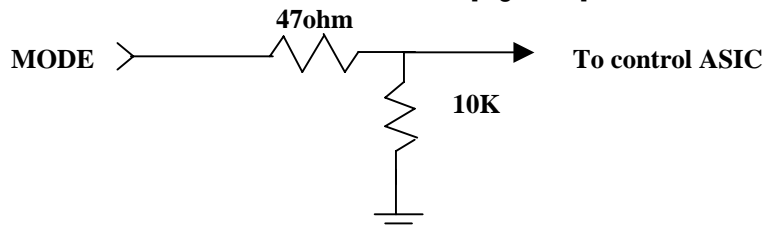


**Product Specification**

Pin	Symbol	Description	Notes
31	GA1	GREEN odd data signal	
32	GA2	GREEN odd data signal	
33	GA3	GREEN odd data signal	
34	GA4	GREEN odd data signal	
35	GA5	GREEN odd data signal(MSB)	
36	GND	GND	
37	BA0	BLUE odd data signal(LSB)	
38	BA1	BLUE odd data signal	
39	BA2	BLUE odd data signal	
40	BA3	BLUE odd data signal	
41	BA4	BLUE odd data signal	
42	BA5	BLUE odd data signal(MSB)	
43	GND	GND	
44	GND	GND	
45	GND	GND	
46	Vsync	Vertical synchronous signal	
47	Hsync	Horizontal synchronous signal	
48	ENAB	Data enable signal(signal to settle the display position)	
49	GND	GND	
50	GND	GND	
51	CKB	Clock B signal for sampling even data signal	
52	CKA	Clock A signal for sampling odd data signal	
53	GND	GND	
54	GND	GND	
55	GND	GND	
56	MODE	Timing signal select	1
57	Vcc	+5V power supply	
58	Vcc	+5V power supply	
59	Vcc	+5V power supply	
60	Vcc	+5V power supply	

Notes: 1. MODE is set "Low" in LCD Module, if this pin is "OPEN" or "Low" then data latch is at Falling edge trigger, "High" then Rising edge trigger.

MODE signal circuit in LCD Module is shown in the [ figure 4 ].

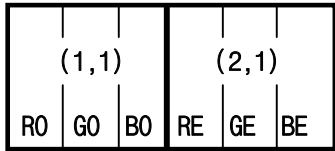


[ figure 4 ] MODE signal circuit in LCD Module

**Product Specification**

[www.DataSheet4U.com](http://www.DataSheet4U.com)

Note 2. Correspondence between input data and screen image.  
 Display data of 2-pixels are latched by 1-cycle of DCLK.



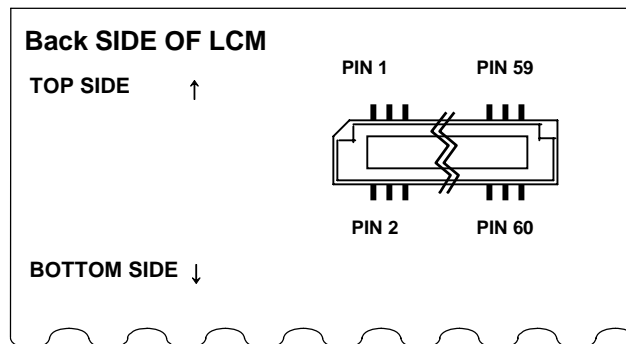
Odd data refers to First pixel data.  
 Even data refers to Second pixel data.

Pixel assignment of LCD active area

1,1	2,1	3,1	-----	1024,1
1,2	2,2	3,2	-----	1024,2
1,3	2,3	3,3	-----	1024,3
.....	.....	.....	.....	.....
1,768	2,768	3,768	-----	1024,768

**[ figure 5 ] Pixel assignment**

3. All GND(ground) pins should be connected together and to Vss which should also be connected to the LCD's metal frame.
4. All VDD(power input) pins should be connected together.



**[ figure 6 ] User connector view**

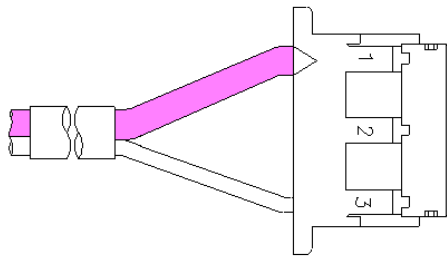
**Product Specification**

The backlight interface connector is a model BHR-03VS-1, manufactured by JST. The mating connector part number is SM02(8.0)B-BHS-1-TB or equivalent.  
 The pin configuration for the connector is shown in the table below.

**Table 4. BACKLIGHT CONNECTOR PIN CONFIGURATION**

Pin	Symbol	Description	Notes
1	HV	Power supply for lamp (High voltage side)	1
2	NC	No Connect	
3	LV	Power supply for lamp (Low voltage side)	

Notes : 1. The high voltage side terminal is colored pink.



**[ figure 7 ] Backlight connector view**

**Product Specification**
[www.DataSheet4U.com](http://www.DataSheet4U.com)
**3-3. Signal Timing Specifications**

This is the signal timing required at the input of the User connector. All of the interface signal timing should be satisfied with the following specifications for it's proper operation.

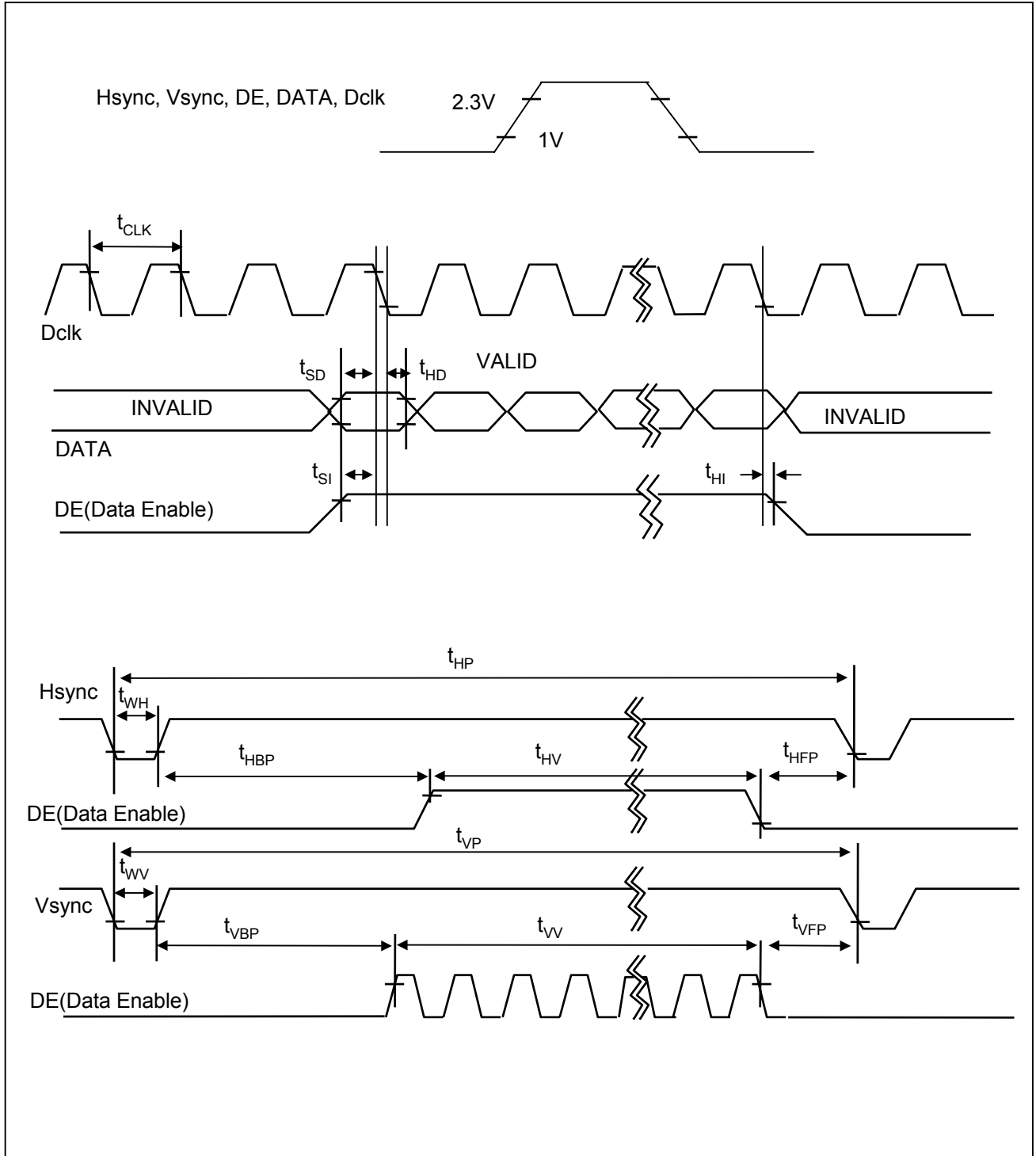
**Table 5. TIMING TABLE**

ITEM		SYMBOL	MIN	TYP.	MAX.	UNIT	NOTES		
Dclk	Period	$t_{CLK}$	25	30.8	40	ns			
	Frequency	$f_{CLK}$	25	32.5	40	MHz			
Hsync	Period	$t_{HP}$	604	672	680	$t_{CLK}$			
	Width	$t_{WH}$	12	68	120				
Vsync	Period	$t_{VP}$	780	806	830	$t_{HP}$			
	Frequency	$f_V$	50	60	75	Hz			
DE (Data Enable)	Width	$t_{WV}$	1	6	24	$t_{HP}$			
	Horizontal Valid	$t_{HV}$	512	512	512	$t_{CLK}$			
	Horizontal Back Porch	$t_{HBP}$	12	12	-				
	Horizontal Front Porch	$t_{HFP}$	24	80	-				
	Horizontal Blank	-	48	160	$t_{HP} - t_{HV}$		$t_{WH} + t_{HBP} + t_{HFP}$		
	Vertical Valid	$t_{VV}$	768	768	768	$t_{HP}$			
	Vertical Back Porch	$t_{VBP}$	2	29	-				
	Vertical Front Porch	$t_{VFP}$	1	3	-				
	Vertical Blank	-	4	38	$t_{VP} - t_{VV}$		$t_{WV} + t_{VBP} + t_{VFP}$		
	Data	Set up time	$t_{SI}$	3	-	-	ns	For Dclk	
Hold time		$t_{HI}$	3	-	-				
Data	Set up time	$t_{SD}$	3	-	-				
	Hold time	$t_{HD}$	3	-	-				

Product Specification

3-4. Signal Timing Waveforms

www.DataSheet4U.com



[ figure 8 ] Signal Timing Waveforms

**Product Specification**

[www.DataSheet4U.com](http://www.DataSheet4U.com)

**3-5. Color Input Data Reference**

The brightness of each primary color(red,green and blue) is based on the 6-bit gray scale data input for the color ; the higher the binary input, the brighter the color. The table below provides a reference for color versus data input.

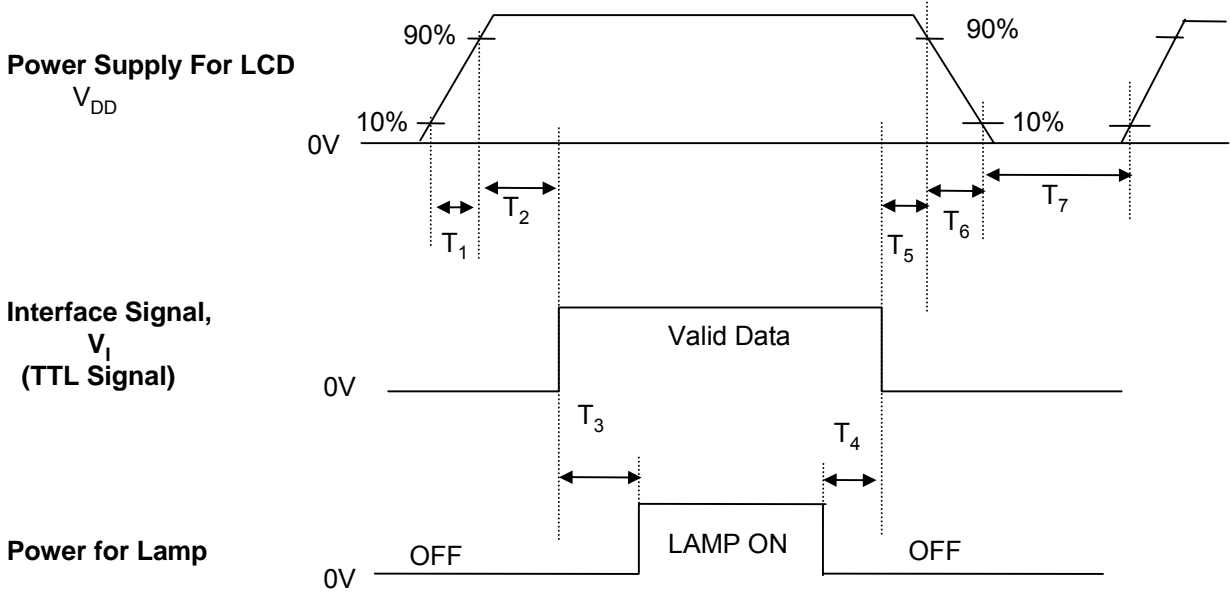
**Table 6. COLOR DATA REFERENCE**

Color	Input Color Data																	
	Red						Green						Blue					
	MSB			LSB			MSB			LSB			MSB			LSB		
	RO5 RE5	RO4 RE4	RO3 RE3	RO2 RE2	RO1 RE1	RO0 RE0	GO5 GE5	GO4 GE4	GO3 GE3	GO2 GE2	GO1 GE1	GO0 GE0	BO5 BE5	BO4 BE4	BO3 BE3	BO2 BE2	BO1 BE1	BO0 BE0
Basic Colors	Black	0	0	0	0	0	0	0	0	0	0	0	0	0	0	0	0	0
Red(63)	1	1	1	1	1	1	0	0	0	0	0	0	0	0	0	0	0	
Green(63)	0	0	0	0	0	0	1	1	1	1	1	1	0	0	0	0	0	
Blue(63)	0	0	0	0	0	0	0	0	0	0	0	0	1	1	1	1	1	
Cyan	0	0	0	0	0	0	1	1	1	1	1	1	1	1	1	1	1	
Magenta	1	1	1	1	1	1	0	0	0	0	0	0	1	1	1	1	1	
Yellow	1	1	1	1	1	1	1	1	1	1	1	1	0	0	0	0	0	
White	1	1	1	1	1	1	1	1	1	1	1	1	1	1	1	1	1	
Red	Red(00) Dark	0	0	0	0	0	0	0	0	0	0	0	0	0	0	0	0	0
Red(01)	0	0	0	0	0	1	0	0	0	0	0	0	0	0	0	0	0	
Red(02)	0	0	0	0	1	0	0	0	0	0	0	0	0	0	0	0	0	
:	:	:	:	:	:	:	:	:	:	:	:	:	:	:	:	:	:	
Red(61)	1	1	1	1	0	1	0	0	0	0	0	0	0	0	0	0	0	
Red(62)	1	1	1	1	1	0	0	0	0	0	0	0	0	0	0	0	0	
Red(63) Bright	1	1	1	1	1	1	0	0	0	0	0	0	0	0	0	0	0	
Green	Green(00)Dark	0	0	0	0	0	0	0	0	0	0	0	0	0	0	0	0	0
Green(01)	0	0	0	0	0	0	0	0	0	0	0	1	0	0	0	0	0	
Green(02)	0	0	0	0	0	0	0	0	0	1	0	0	0	0	0	0	0	
:	:	:	:	:	:	:	:	:	:	:	:	:	:	:	:	:	:	
Green(61)	0	0	0	0	0	0	1	1	1	1	0	1	0	0	0	0	0	
Green(62)	0	0	0	0	0	0	1	1	1	1	1	0	0	0	0	0	0	
Green(63)Bright	0	0	0	0	0	0	1	1	1	1	1	1	0	0	0	0	0	
Blue	Blue(00) Dark	0	0	0	0	0	0	0	0	0	0	0	0	0	0	0	0	0
Blue(01)	0	0	0	0	0	0	0	0	0	0	0	0	0	0	0	0	1	
Blue(02)	0	0	0	0	0	0	0	0	0	0	0	0	0	0	0	1	0	
:	:	:	:	:	:	:	:	:	:	:	:	:	:	:	:	:	:	
Blue(61)	0	0	0	0	0	0	0	0	0	0	0	0	1	1	1	1	0	
Blue(62)	0	0	0	0	0	0	0	0	0	0	0	0	1	1	1	1	0	
Blue(63) Bright	0	0	0	0	0	0	0	0	0	0	0	0	1	1	1	1	1	

Product Specification

3-6. Power Sequence

www.DataSheet4U.com



[ figure 9 ] Power Sequence

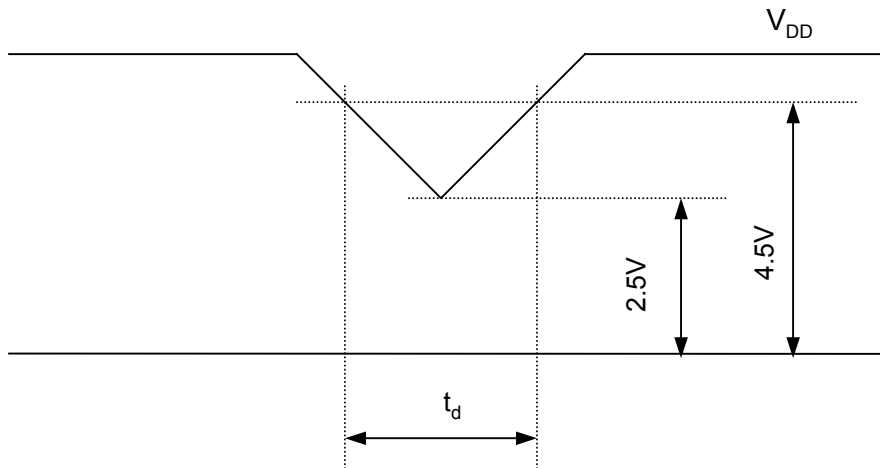
Table 7. POWER SEQUENCE TIME DELAY

Parameter	Values			Units
	Min.	Typ.	Max.	
T <sub>1</sub>	-	-	10	ms
T <sub>2</sub>	0	-	50	ms
T <sub>3</sub>	200	-	-	ms
T <sub>4</sub>	200	-	-	ms
T <sub>5</sub>	0	-	50	ms
T <sub>6</sub>	-	-	10	ms
T <sub>7</sub>	500	-	-	ms

- Notes :
1. Please avoid floating state of interface signal at invalid period.
  2. When the interface signal is invalid, be sure to pull down the power supply for LCD V<sub>DD</sub> to 0V.
  3. Lamp power must be turn on after power supply for LCD and interface signal are valid.

Product Specification

**3-7. V<sub>DD</sub> Power Dip Condition**



[ figure 10 ] Power Dip condition

1) Dip condition

$$2.5V \leq V_{DD} < 4.5V, t_d \leq 20ms$$

2)  $V_{DD} < 2.5V$

$V_{DD}$ -dip conditions should also follow the Power On/Off conditions for supply voltage.

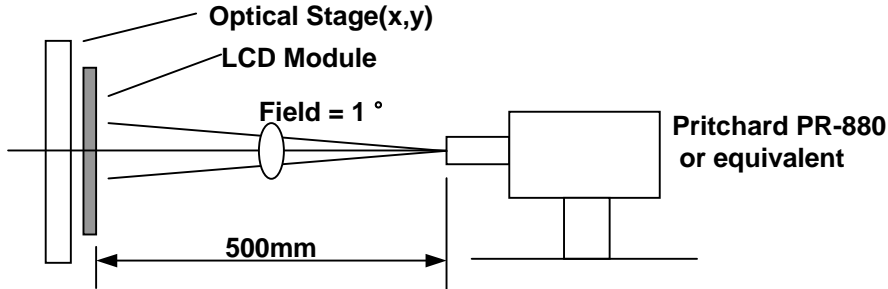


Product Specification

4. Optical Specification

Optical characteristics are determined after the unit has been 'ON' and stable for approximately 30 minutes in a dark environment at 25 °C. The values specified are at an approximate distance 50cm from the LCD surface at a viewing angle of  $\Phi$  and  $\theta$  equal to 0 °.

[ Figure 11 ] presents additional information concerning the measurement equipment and method.



[Figure 11] Optical Characteristic Measurement Equipment and Method

(Ta=25 °C, V<sub>DD</sub>=5.0V, f<sub>V</sub>=60Hz  
Dclk=32.5MHz, I<sub>BL</sub>=8mA)

Table 8. OPTICAL CHARACTERISTICS

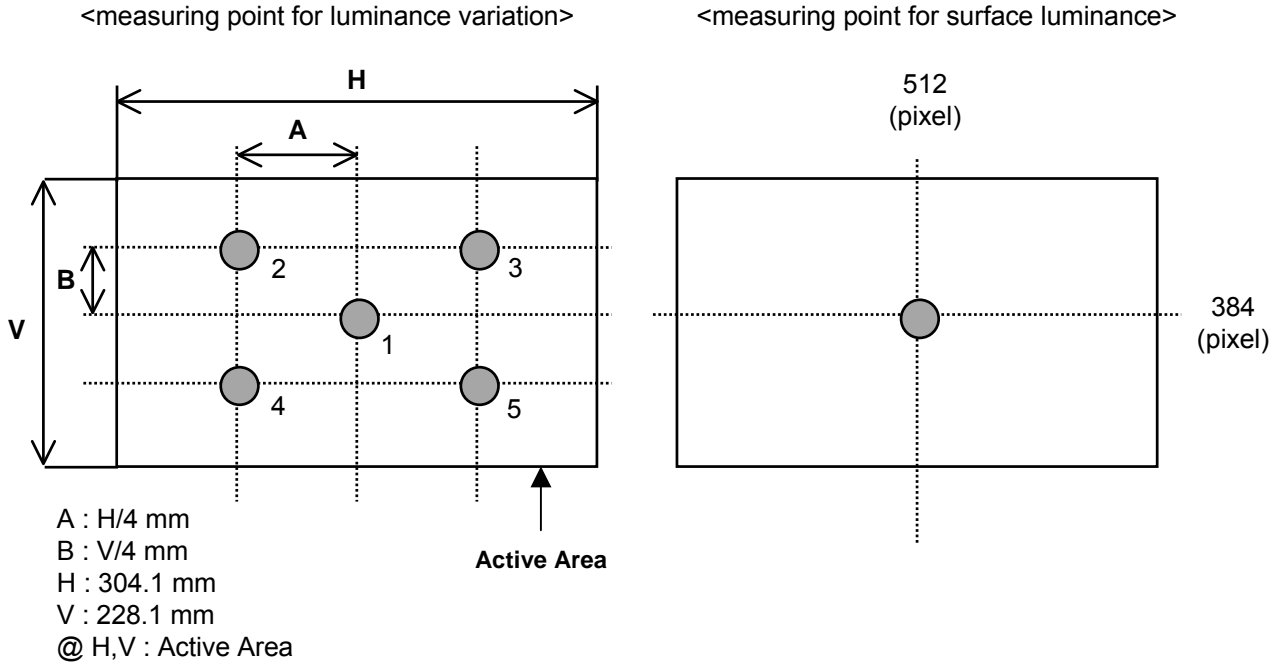
Parameter	Symbol	Values			Units	Notes
		Min.	Typ.	Max.		
Contrast Ratio	CR	200	300	-		1
Surface Luminance, white	L <sub>WH</sub>	200	250	-	cd/m <sup>2</sup>	2
Luminance Variation	$\delta_{\text{WHITE}}$	-	-	1.3		3
Response Time	T <sub>r</sub>		30	50	ms	4
Rise Time	T <sub>rR</sub>	-	10	15		
Decay Time	T <sub>rD</sub>	-	20	35		
CIE Color Coordinates						
Red	XR	0.596	0.626	0.656		
	YR	0.317	0.347	0.377		
Green	XG	0.278	0.308	0.338		
	YG	0.558	0.588	0.618		
Blue	XB	0.116	0.146	0.176		
	YB	0.089	0.119	0.149		
White	XW	0.283	0.313	0.343		
	YW	0.299	0.329	0.359		
Viewing Angle					degree	5
by CR ≥ 5						
x axis, right ( $\Phi=0^\circ$ )	$\theta_r$	65	75	-		
x axis, left ( $\Phi=180^\circ$ )	$\theta_l$	65	75	-		
y axis, up ( $\Phi=90^\circ$ )	$\theta_u$	45	55	-		
y axis, down ( $\Phi=270^\circ$ )	$\theta_d$	50	60	-		
by CR ≥ 10						
x axis, right ( $\phi=0^\circ$ )	$\theta_r$	55	60	-		
x axis, left ( $\phi=180^\circ$ )	$\theta_l$	55	60	-		
y axis, up ( $\phi=90^\circ$ )	$\theta_u$	40	45	-		
y axis, down ( $\phi=270^\circ$ )	$\theta_d$	40	45	-		
Gray Scale		-	2.2	-		6
Flicker		-	-	-20	dB	7



Product Specification

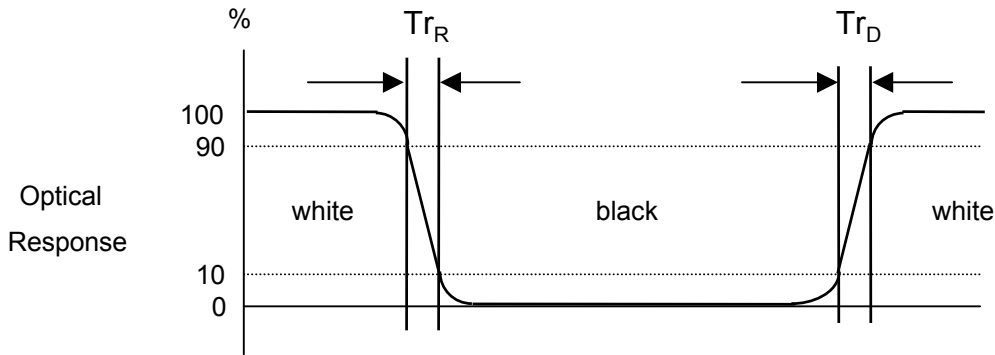
www.DataSheet4U.com

**[ Figure 12 ] Luminance measuring point**



**[ Figure 13 ] Response Time**

The response time is defined as the following figure and shall be measured by switching the input signal for “black” and “white”.

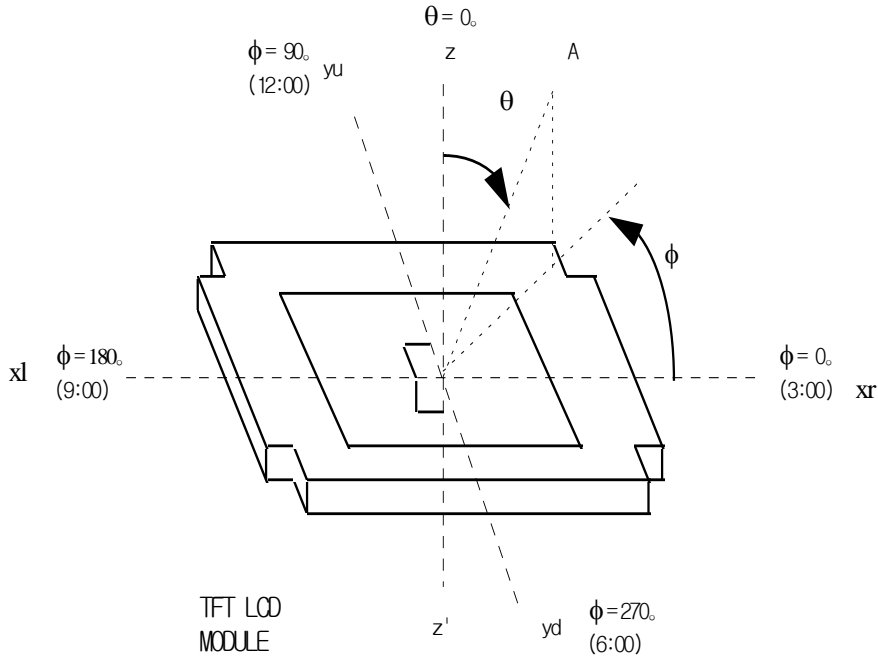


Product Specification

[www.DataSheet4U.com](http://www.DataSheet4U.com)

**[ Figure 14 ] Viewing angle**

<dimension of viewing angle range>



Product Specification

[www.DataSheet4U.com](http://www.DataSheet4U.com)

**5. Mechanical Characteristics**

The contents provide general mechanical characteristics for the model LM150X05-E3. In addition, the figures in the next page are detailed mechanical drawing of the LCD.

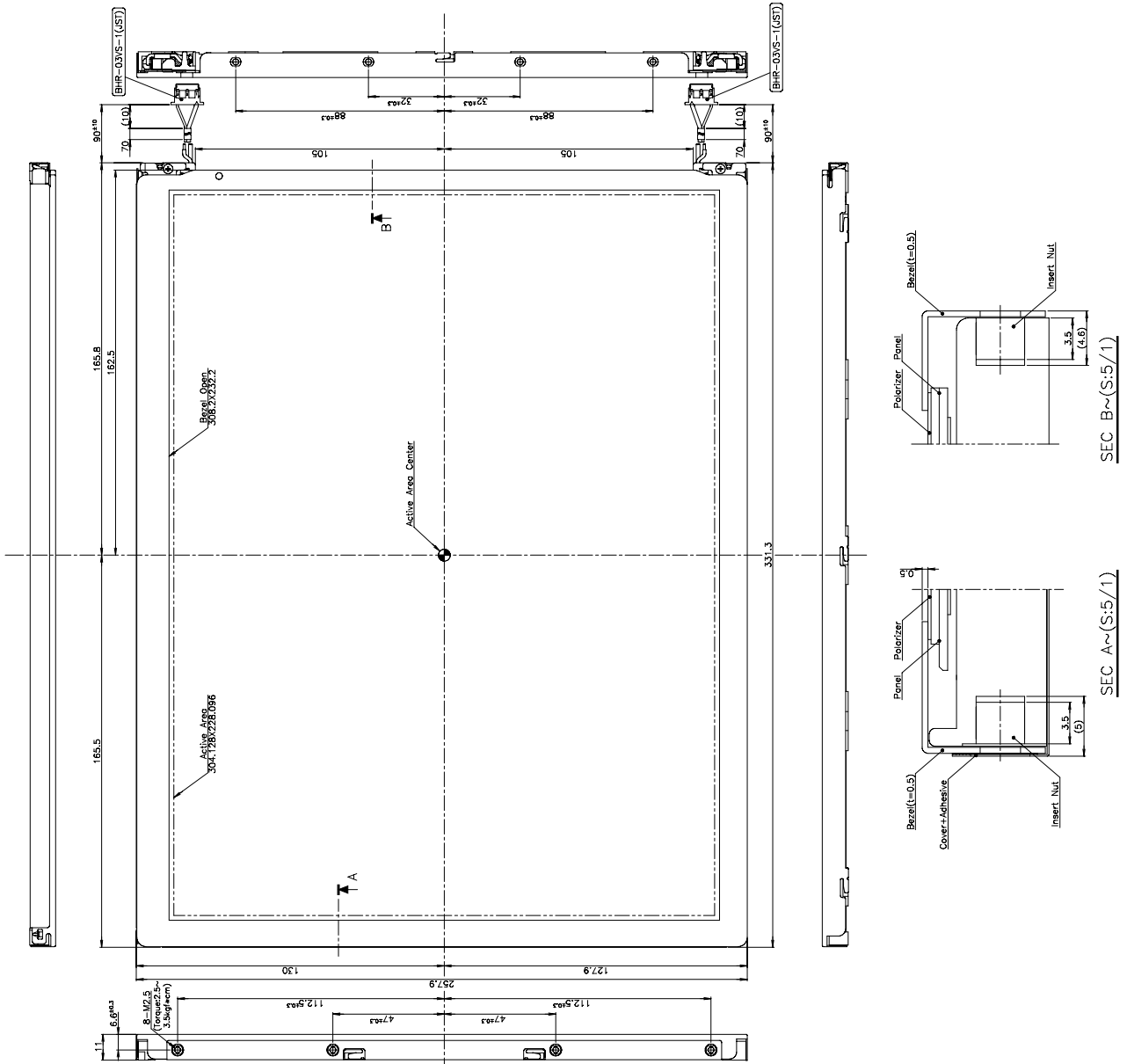
**Table 10. MECHANICAL CHARACTERISTICS**

Outside dimensions	Horizontal	331.3±0.5 m
	Vertical	257.9±0.5 mm
	Depth	11.0±0.5 mm
Bezel area	Horizontal	308.2±0.5 mm
	Vertical	232.2±0.5 mm
Active display area	Horizontal	304.128 mm
	Vertical	228.096 mm
Weight	1050g(Typ.)	
Surface Treatment	Hard coating 3H. Anti-glare, LR coating treatment of the front polarizer.	

Product Specification

[ Figure 15 ] LM150X05 Front View

www.DataSheet4U.com









## Product Specification

[www.DataSheet4U.com](http://www.DataSheet4U.com)

## 7. International Standards

### 7-1. Safety

- a) UL 1950 Third Edition, Underwriters Laboratories, Inc. Jan. 28, 1995.  
Standard for Safety of Information Technology Equipment Including Electrical Business Equipment.
- b) CAN/CSA C22.2 No. 950-95 Third Edition, Canadian Standards Association, Jan. 28, 1995.  
Standard for Safety of Information Technology Equipment Including Electrical Business Equipment.
- c) EN 60950 : 1992+A1: 1993+A2: 1993+A3: 1995+A4: 1997+A11: 1997  
IEC 950 : 1991+A1: 1992+A2: 1993+A3: 1995+A4: 1996  
European Committee for Electrotechnical Standardization(CENELEC)  
EUROPEAN STANDARD for Safety of Information Technology Equipment Including Electrical  
Business Equipment.

### 7-2. EMC

- a) ANSI C63.4 "Methods of Measurement of Radio-Noise Emissions from Low-Voltage Electrical and Electrical Equipment in the Range of 9kHz to 40GHz." American National Standards Institute(ANSI), 1992
- b) C.I.S.P.R "Limits and Methods of Measurement of Radio Interface Characteristics of Information Technology Equipment." International Special Committee on Radio Interference
- c) EN 55022 "Limits and Methods of Measurement of Radio Interface Characteristics of Information Technology Equipment." European Committee for Electrotechnical Standardization (CENELEC), 1998

**Product Specification**

**8. Packing**

**8-1. Designation of Lot Mark**

a) Lot Mark

A	B	C	D	E	F	G	H	I	J	K	L	M
---	---	---	---	---	---	---	---	---	---	---	---	---

- A,B,C : SIZE
- D : YEAR
- E : MONTH
- F,G : PANEL CODE
- H : ASSEMBLY CODE
- I,J,K,L,M : SERIAL NO.

Note:

1. YEAR

YEAR	97	98	99	2000	2001	2002	2003	2004	2005	2006	2007
Mark	7	8	9	0	1	2	3	4	5	6	7

2. MONTH

MONTH	Jan.	Feb.	Mar.	Apr.	May.	Jun.	Jul.	Aug.	Sep.	Oct.	Nov.	Dec.
Mark	1	2	3	4	5	6	7	8	9	A	B	C

3. Serial No.

Serial No.	1 ~ 99999	100000 ~
Mark	00001 ~ 99999	A0001 ~ A9999,....., Z9999

b) Location of Lot Mark

Serial NO. is printed on the label. The label is attached to the backside of the LCD module.  
This is subject to change without prior notice.

**8-2. Packing Form**

- a) Package quantity in one box : 8 pcs
- b) Box Size : 344mm X 315mm X 410mm.

## Product Specification

[www.DataSheet4U.com](http://www.DataSheet4U.com)

## 9. PRECAUTIONS

Please pay attention to the following when you use this TFT LCD module.

### 9-1. MOUNTING PRECAUTIONS

- (1) You must mount a module using holes arranged in four corners or four sides.
- (2) You should consider the mounting structure so that uneven force(ex. Twisted stress) is not applied to the module.  
And the case on which a module is mounted should have sufficient strength so that external force is not transmitted directly to the module.
- (3) Please attach a transparent protective plate to the surface in order to protect the polarizer.  
Transparent protective plate should have sufficient strength in order to the resist external force.
- (4) You should adopt radiation structure to satisfy the temperature specification.
- (5) Acetic acid type and chlorine type materials for the cover case are not describe because the former generates corrosive gas of attacking the polarizer at high temperature and the latter causes circuit break by electro-chemical reaction.
- (6) Do not touch, push or rub the exposed polarizers with glass, tweezers or anything harder than HB pencil lead. And please do not rub with dust clothes with chemical treatment.  
Do not touch the surface of polarizer for bare hand or greasy cloth.(Some cosmetics are determined to the polarizer.)
- (7) When the surface becomes dusty, please wipe gently with absorbent cotton or other soft materials like chamois soaks with petroleum benzene. Normal-hexane is recommended for cleaning the adhesives used to attach front / rear polarizers. Do not use acetone, toluene and alcohol because they cause chemical damage to the polarizer.
- (8) Wipe off saliva or water drops as soon as possible. Their long time contact with polarizer causes deformations and color fading.
- (9) Do not open the case because inside circuits do not have sufficient strength.

### 9-2. OPERATING PRECAUTIONS

- (1) The spike noise causes the mis-operation of circuits. It should be lower than following voltage :  
 $V = \pm 200\text{mV}$ (Over and under shoot voltage)
- (2) Response time depends on the temperature.(In lower temperature, it becomes longer.)
- (3) Brightness depends on the temperature. (In lower temperature, it becomes lower.)  
And in lower temperature, response time(required time that brightness is stable after turned on) becomes longer.
- (4) Be careful for condensation at sudden temperature change. Condensation makes damage to polarizer or electrical contacted parts. And after fading condensation, smear or spot will occur.
- (5) When fixed patterns are displayed for a long time, remnant image is likely to occur.
- (6) Module has high frequency circuits. Sufficient suppression to the electromagnetic interference shall be done by system manufacturers. Grounding and shielding methods may be important to minimized the interference.

## Product Specification

[www.DataSheet4U.com](http://www.DataSheet4U.com)

### 9-3. ELECTROSTATIC DISCHARGE CONTROL

Since a module is composed of electronic circuits, it is not strong to electrostatic discharge. Make certain that treatment persons are connected to ground through wrist band etc. And don't touch interface pin directly.

### 9-4. PRECAUTIONS FOR STRONG LIGHT EXPOSURE

Strong light exposure causes degradation of polarizer and color filter.

### 9-5. STORAGE

When storing modules as spares for a long time, the following precautions are necessary.

- (1) Store them in a dark place. Do not expose the module to sunlight or fluorescent light. Keep the temperature between 5°C and 35°C at normal humidity.
- (2) The polarizer surface should not come in contact with any other object.  
It is recommended that they be stored in the container in which they were shipped.

### 9-6. HANDLING PRECAUTIONS FOR PROTECTION FILM

- (1) The protection film is attached to the bezel with a small masking tape.  
When the protection film is peeled off, static electricity is generated between the film and polarizer. This should be peeled off slowly and carefully by people who are electrically grounded and with well ion-blown equipment or in such a condition, etc.
- (2) When the module with protection film attached is stored for a long time, sometimes there remains a very small amount of glue still on the Bezel after the protection film is peeled off.
- (3) You can remove the glue easily. When the glue remains on the Bezel or its vestige is recognized, please wipe them off with absorbent cotton waste or other soft material like chamois soaked with normal-hexane.