

5,0mm Eurostyle® Pluggable PCB Header, End Stackable

Description

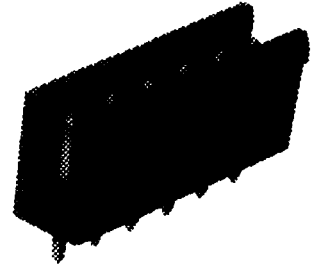
The series 87 Eurostyle® headers on 5,0mm (.197") spacing are polarized using the industry standard design, and are mateable with Beau 87 series plugs, most competitive 5,0mm plugs.

Series 87 headers are available in vertical or horizontal configurations, 2-24 circuits, with and without threaded retention inserts.

Made in the USA, in our ISO 9001 certified facility, all Eurostyle® terminal blocks embody the highest quality standards in the industry - using the finest materials and world class manufacturing processes. They meet or exceed all applicable industry standards.

Features

- **Industry-standard interface.** Series 87 headers are intermateable with competitive 5,0mm pluggable terminal blocks. They offer the industry standard polarizing and keying design.
- **High flammability rating.** 94V-0 is the highest available rating for the insulator - better than other leading brands.



PRODUCT RATINGS

UL	Class B	15 Amps @ 300 V
	Class C	10 Amps @ 300 V
CSA	Class B	15 Amps @ 300 V
VDE 0110 Gr.C		12 Amps @ 250 V

SAFETY AGENCIES

UL	File No. E48521
	Guide No. XCFR2
CSA	File No. 025562

TECHNICAL SPECIFICATIONS

ELECTRICAL

DWV	4500 VDC
IR	>5000 Megohms

ENVIRONMENTAL

Continuous Use Temp	
RTI electrical	110°C
RTI mechanical w/o impact	115°C

OPTIONS

-10A	Sequential numbering
-G30	30 μ in. gold plated terminals

MATERIALS

Insulator	Nylon 6.6, UL94V-0, black
Header pins	Brass, tin plate

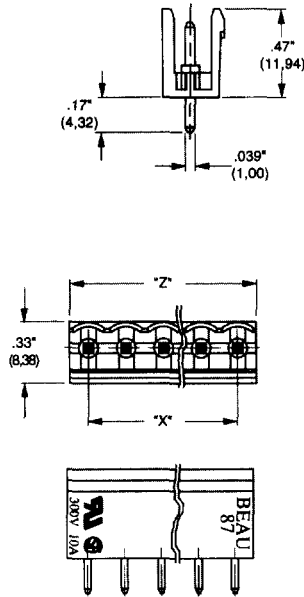
HOW TO ORDER



SERIES	STYLE	NO. OF POLES	OPTIONS
	15		
	18	2 to 24	(Dash#'s above)

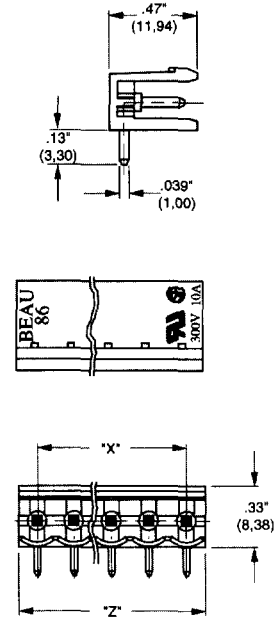
Molex Industrial Division
 New England Operations
 Gilford, NH 03246-6600
 Phone (603) 524-5101
 Fax (603) 524-1627
 Internet www.beuint.com

Style 15



Part	X		Z	
Number	in mm		in mm	
871502	.20	5,0	.39	9,9
871503	.39	10,0	.59	14,9
871504	.59	15,0	.78	19,9
871505	.79	20,0	.98	24,9
871506	.99	25,0	1.18	29,9
871507	1.18	30,0	1.37	34,9
871508	1.38	35,0	1.57	39,9
871509	1.58	40,0	1.77	44,9
871510	1.77	45,0	1.97	49,9
871511	1.97	50,0	2.16	54,9
871512	2.17	55,0	2.36	59,9
871513	2.36	60,0	2.56	64,9
871514	2.56	65,0	2.75	69,9
871515	2.76	70,0	2.95	74,9
871516	2.95	75,0	3.15	79,9
871517	3.15	80,0	3.34	84,9
871518	3.35	85,0	3.54	89,9
871519	3.55	90,0	3.74	94,9
871520	3.74	95,0	3.93	99,9
871521	3.94	100,0	4.13	104,9
871522	4.14	105,0	4.33	109,9
871523	4.33	110,0	4.53	114,9
871524	4.53	115,0	4.72	119,9

Style 18



Part	X		Z	
Number	in mm		in mm	
871802	.20	5,0	.39	9,9
871803	.39	10,0	.59	14,9
871804	.59	15,0	.78	19,9
871805	.79	20,0	.98	24,9
871806	.99	25,0	1.18	29,9
871807	1.18	30,0	1.37	34,9
871808	1.38	35,0	1.57	39,9
871809	1.58	40,0	1.77	44,9
871810	1.77	45,0	1.97	49,9
871811	1.97	50,0	2.16	54,9
871812	2.17	55,0	2.36	59,9
871813	2.36	60,0	2.56	64,9
871814	2.56	65,0	2.75	69,9
871815	2.76	70,0	2.95	74,9
871816	2.95	75,0	3.15	79,9
871817	3.15	80,0	3.34	84,9
871818	3.35	85,0	3.54	89,9
871819	3.55	90,0	3.74	94,9
871820	3.74	95,0	3.93	99,9
871821	3.94	100,0	4.13	104,9
871822	4.14	105,0	4.33	109,9
871823	4.33	110,0	4.53	114,9
871824	4.53	115,0	4.72	119,9