

**MULTISTANDARD VIDEO AND SOUND IF SYSTEM
WITH AUDIO AND VIDEO SWITCHES**

- VIDEO PLL DEMODULATION
- SOUND PLL DEMODULATION
- NEGATIVE MODULATION
- AGC FOR ALL STANDARDS
- AUDIO SWITCH
- DC VOLUME CONTROL
- VIDEO SWITCH

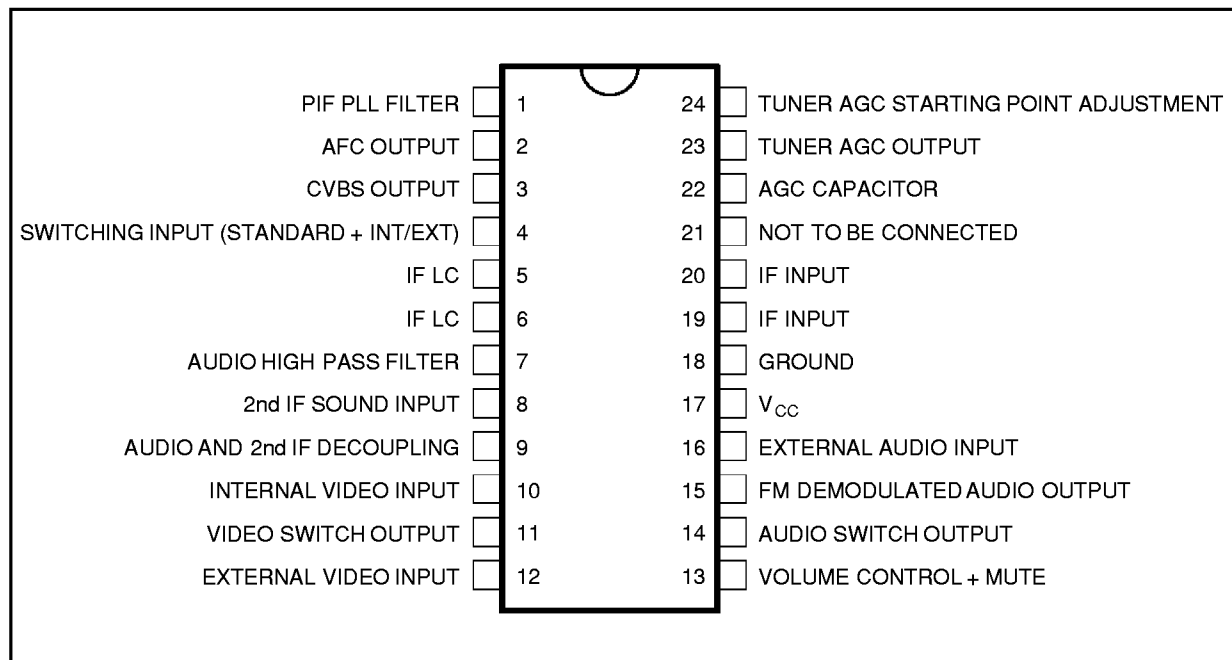


DESCRIPTION

The STV8223A1 is a picture and sound IF processor for negative modulation application with very few external components and adjustments.

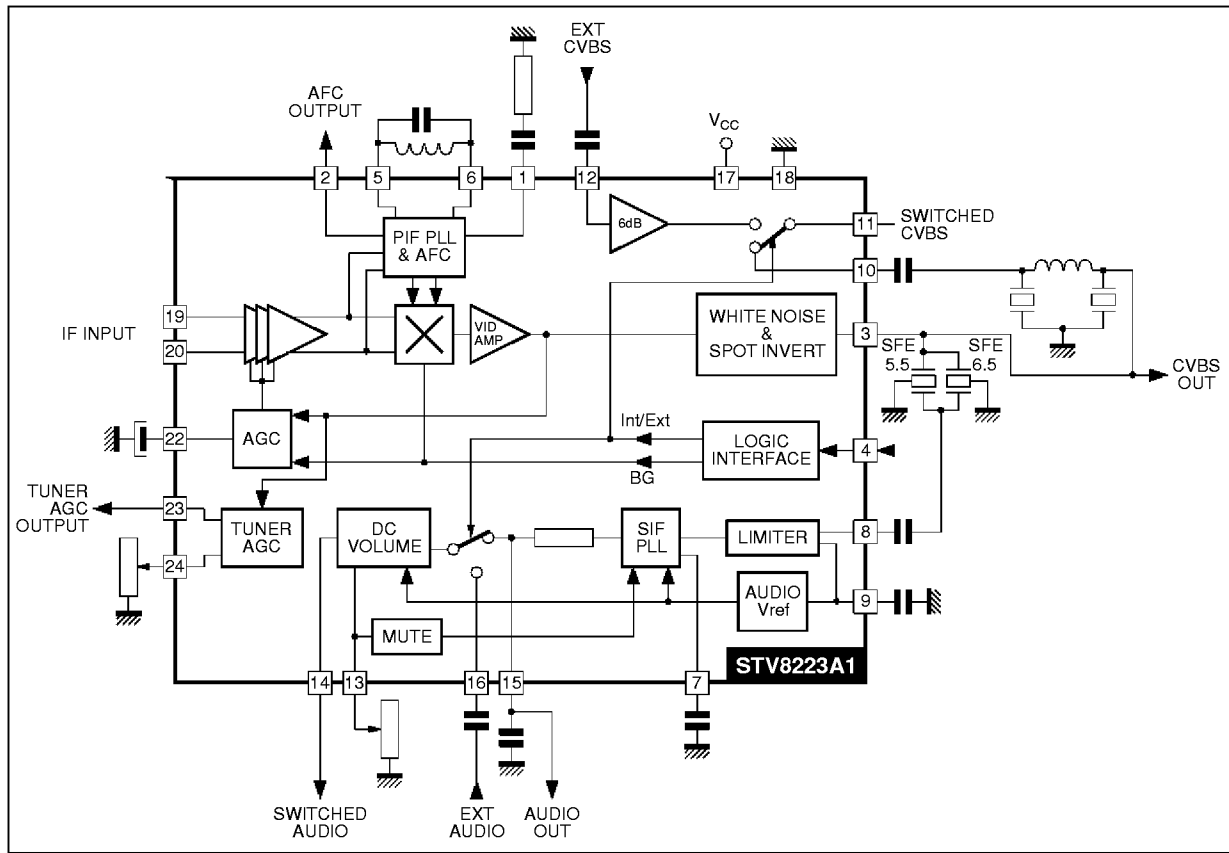
It provides the audio and video switches for one SCART plug application.

PIN CONNECTIONS



82231-01.EPS

BLOCK DIAGRAM



82231-02.EPS

ABSOLUTE MAXIMUM RATINGS

Symbol	Parameter	Value	Unit
V _s	Supply Voltage	13.5	V
V _x	Tuner AGC Voltage	V _{cc}	V
T _{stg}	Storage Temperature	-40, +150	°C
T _{oper}	Operating Temperature	0, +70	°C

82231-01.TBL

THERMAL DATA

Symbol	Parameter	Value	Unit
R _{th(j-a)}	Junction-ambient Thermal Resistance	Max. 75	°C/W

82231-02.TBL

ELECTRICAL CHARACTERISTICS

($T_{amb} = 25^{\circ}\text{C}$, $V_{CC} = 9\text{V}$, IF input = 10mV_{RMS} sync level at B/G, Video modulation DSB, $D = 90\%$ at B/G, $f_{PC} = 38.9\text{MHz}$, $f_{SC} = 33.4\text{MHz}$, Video BW = 5MHz , Sound carrier input : 5.5MHz , 10mV_{RMS} , $f_M = 1\text{kHz}$, Audio BW = 20kHz , $\Delta f = \pm 50\text{kHz}$, Volume attenuation = 0dB , unless otherwise specified)

Symbol	Parameter	Test Conditions	Min.	Typ.	Max.	Unit
--------	-----------	-----------------	------	------	------	------

SUPPLY

V_{CC}	Supply Voltage		8	9	12.6	V
I_{CC}	Supply Current	I_{17} , $V_{CC} = 9\text{V}$		70	95	mA

IF AMPLIFIER

V_{19-20}	Input Sensitivity (RMS)	-3dB Video at Output		70		μV_{RMS}
R_{19-20}	Differential Input Resistance			1.5		$\text{k}\Omega$
C_{19-20}	Differential Input Capacitance			2		pF
Gr	Gain Control Range			64		dB
	Max Input Signal	+1dB Video at Output		110		mV_{RMS}

SYNCHRONOUS VIDEO DEMODULATOR

DF_{PC}	Vision Carrier Capture		-1.4		1.6	MHz
-----------	------------------------	--	------	--	-----	-----

AFC

S2	AFC Slope	See Figure 19		0.2		$\mu\text{A}/\text{kHz}$
----	-----------	---------------	--	-----	--	--------------------------

DEMODULATED VIDEO OUTPUT (Pin 3)

V_{A3}	Amplitude	Top Sync to White	2	2.3	2.6	V_{PP}
V_{S3}	Top Sync Level	B/G	1.6	1.9	2.2	V
	Zero Carrier Level	B/G		4.4		V
BW	Bandwidth	-3dB Video Signal	6	7		MHz
Dg	Differential Gain			6	8	%
Dp	Differential Phase			6	8	Degree
V_{r3c}	Residual Carrier Signal (RMS Value)			1	10	mV
V_{r3h}	Residual 2nd Harmonic (RMS Value)			1	10	mV
I_3	Internal Bias of Emitter Follower		3	5		mA
S/N	Signal to Noise Ratio	Note 1 - Weighted CCIR-567	53	58		dB
	Intermodulation 1.07MHz	Note 2		52		dB
V_{WTH}	White Noise Threshold Voltage			4.85		V
V_{WIL}	White Noise Insertion Level			3.6		V
V_{BTH}	Black Noise Threshold Voltage			1.3		V
V_{BIL}	Black Noise Insertion Level			2.5		V

AGC CIRCUIT (BG MODE)

$I_{22\text{CBG}}$	Charging Current		550	950	1300	μA
$I_{22\text{DBG}}$	Discharge Current		12	20	28	μA
C/D	Charging/Discharging Ratio			45		

TUNER AGC

I_{23}	Maximum Sunked Current		1.5	2	2.5	mA
S23	Current Slope	$R_{24} = 5\text{k}\Omega$	100	170	230	$\mu\text{A}/\text{dB}$
I_{23+}	Maximum Tuner Plus Sunked Current	Note 3		40		mA

Notes : 1. $\frac{S}{N} = 20 \log 10 \frac{V_{\text{out black white}}}{V_N (\text{mV}_{\text{RMS}})}$ at BW = 5MHz

- Video carrier relative level = 0dB , Chroma subcarrier level = -3.2dB , Sound carrier relative level = -20dB . AGC voltage (Pin 22) is adjusted to get $1V_{PP}$ signal on output (Pin 3).
- Additional sunked current for large increasing steps of input signal when :
 - Voltage Pin 22 > starting point defined Pin 24.
 - Output signal (Pin 3) saturated ($V_3 < V_{\text{BTH}}$ in BG mode).

STV8223A1

ELECTRICAL CHARACTERISTICS (continued)

($T_{amb} = 25^{\circ}\text{C}$, $V_{CC} = 9\text{V}$, IF input = 10mV_{RMS} sync level at B/G, Video modulation DSB, $D = 90\%$ at B/G, $f_{PC} = 38.9\text{MHz}$, $f_{SC} = 33.4\text{MHz}$, Video BW = 5MHz , Sound carrier input : 5.5MHz , 10mV_{RMS} , $f_M = 1\text{kHz}$, Audio BW = 20kHz , $\Delta f = \pm 50\text{kHz}$, Volume attenuation = 0dB , unless otherwise specified)

Symbol	Parameter	Test Conditions	Min.	Typ.	Max.	Unit
--------	-----------	-----------------	------	------	------	------

FM SOUND DEMODULATION

V_{8S}	Input Sensitivity	-3dB FM detected signal		35		μV
R_8	Limiter Input Resistance			600		Ω
	DC Voltage (Pin 8)			4.2		V
AMR	Amplitude Modulation Rejection	Note 4	50	61		dB
SVR	Supply Voltage Rejection Ratio	Ripple signal : 100Hz , 0.5V_{PP}	12	17		dB
V_{15}	Detected Audio Output Signal		0.85	1.1	1.4	V_{RMS}
THD	Total Harmonic Distortion			0.2	1	%
R_{15}	Internal Deemphasis Resistor		600	750	900	Ω
S/N	Signal to Noise Ratio	Note 5, Weighted CCIR 468-4 (quasi peak level)	50	55		dB

VOLUME CONTROL

V_C Range	Control Range	See Figure 21	72	77		dB
-------------	---------------	---------------	----	----	--	----

AUDIO SWITCH

R_{16}	Input Resistance		45	60	75	$\text{k}\Omega$
CRtk	Crosstalk		70	80		dB
E_n	Output Noise Level (Pin 14)	Weighted CCIR 468-4, $V_{13} = 0.5\text{V}$ (quasi peak level)		120		μV
EXTHD	THD on External Signal (Pin 14)	$V_{IN} = 2V_{RMS}$, Attenuation = 0dB		0.1	0.3	%
	Audio Reference Voltage (Pin 9)			5		V

VIDEO SWITCH

V_{DC12}	DC Input Level	No signal	1.6	1.9	2.2	V
V_{S12}	Top Sync. Clamp Level			1.8		V
V_{11}	DC Output Level	No signal	1.7	2	2.3	V
V_{S11}	Top Sync. Clamp Level			1.5		V
	Crosstalk			55		dB
GEX	Gain from Ext. Input to Output		5.5	6	6.5	dB
	Output Swing		4	5		V
I_{12}	Input Current	$V_{12} = V_{DC12} = 1.5\text{V}$		1	5	μA
VBW	Bandwidth	$V_{IN} = 1V_{PP}$		15		MHz
G_{IN}	Gain from Int. Input to Output		-0.5	0	+0.5	dB

MUTE (Pin 13)

V_{TH13}	Threshold Voltage Pin 13		0.2	0.3	0.4	V
------------	--------------------------	--	-----	-----	-----	---

CONTROL INPUT

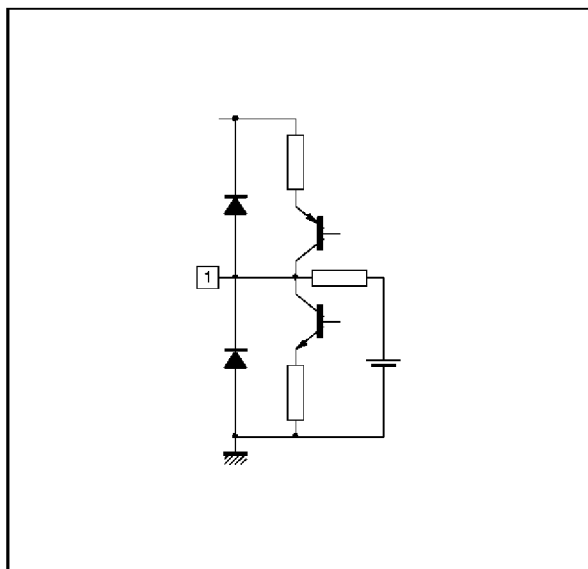
	Negative Modulation	Video : External - Audio : External	7.2			V
	Negative Modulation	Video : Internal - Audio : Internal			1.8	V

Notes : 4. $AMR = 20 \log \frac{V_{15} (mV_{RMS})}{V_{AM}}$ (dB) where V_{AM} = output amplitude in AM for $f_M = 1\text{kHz}$ and $m = 30\%$

$$5. \frac{S}{N} = 20 \log \frac{V_{15} (mV_{RMS})}{V_N (mV_{RMS})} \text{ (dB)}$$

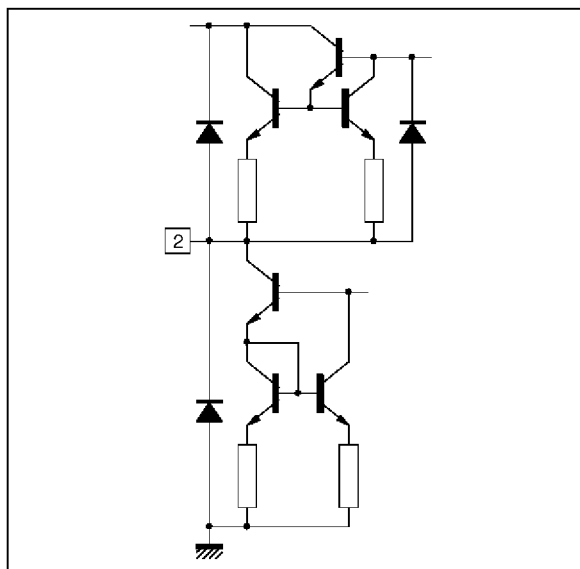
INPUT/OUTPUT PIN CONFIGURATION

Figure 1 : PIF PLL Filter



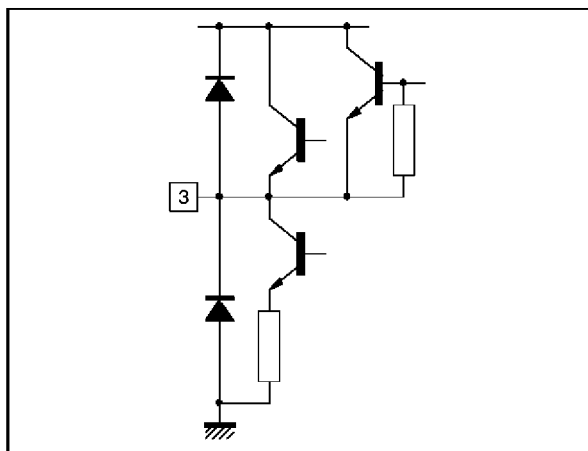
82231-03.EPS

Figure 2 : AFC Output



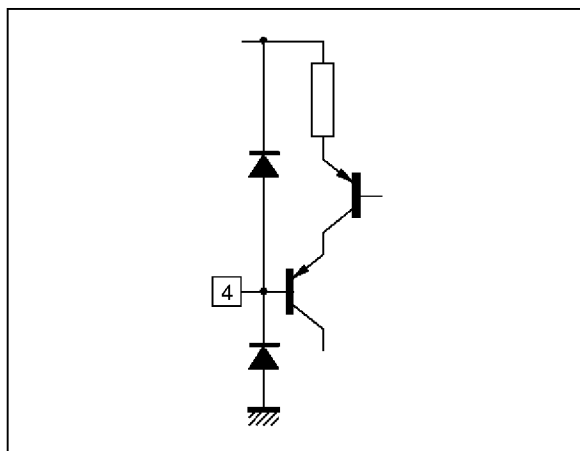
82231-04.EPS

Figure 3 : CVBS Output



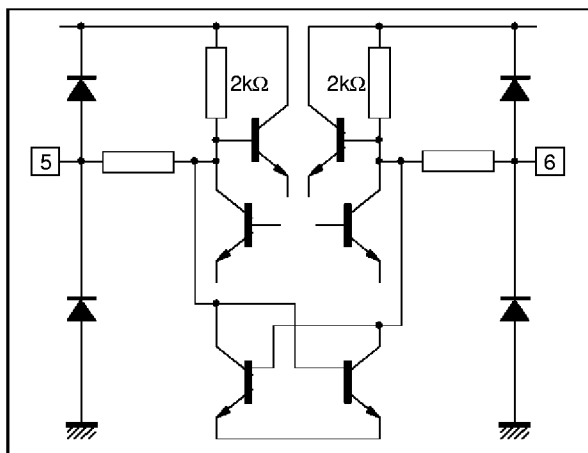
82231-05.EPS

Figure 4 : Switching Input Standard + INT/EXT



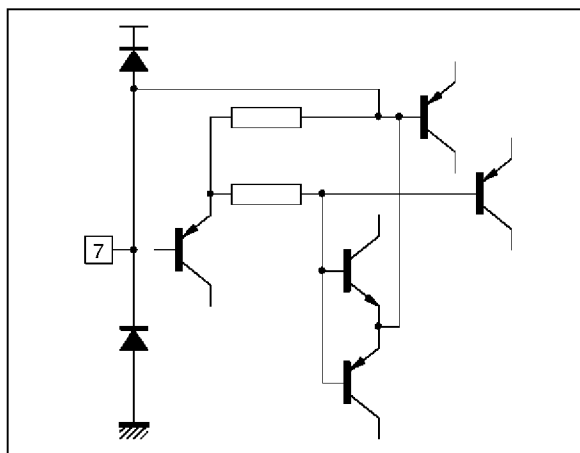
82231-06.EPS

Figure 5 : IFLC



82231-07.EPS

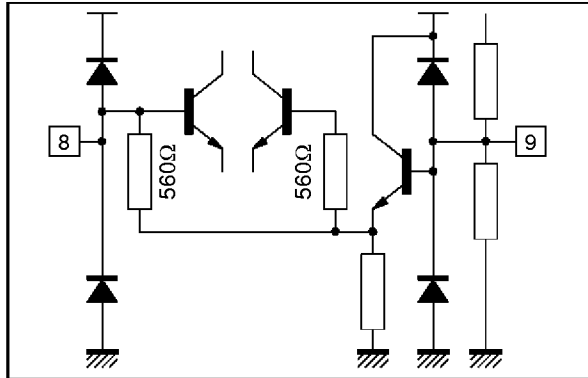
Figure 6 : Audio High Pass Filter



82231-08.EPS

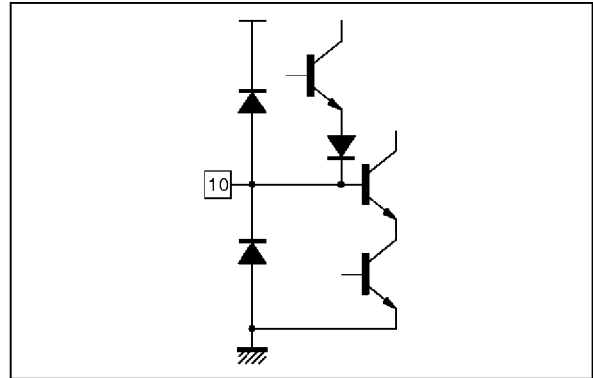
INPUT/OUTPUT PIN CONFIGURATION (continued)

Figure 7 : 2nd IF Sound Input (Pin 8)
Audio and 2nd IF Decoupling (Pin 9)



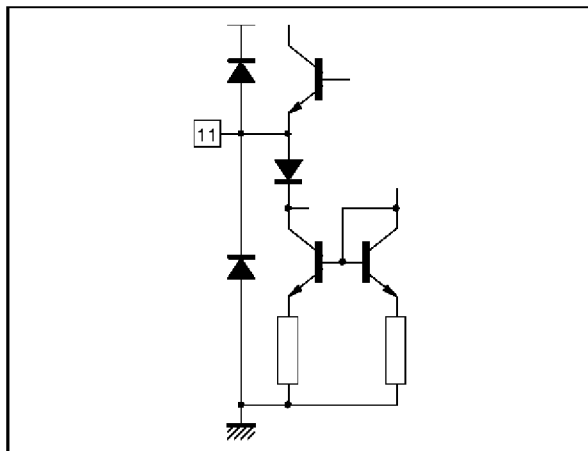
82231-09.EPS

Figure 8 : Internal Video Input



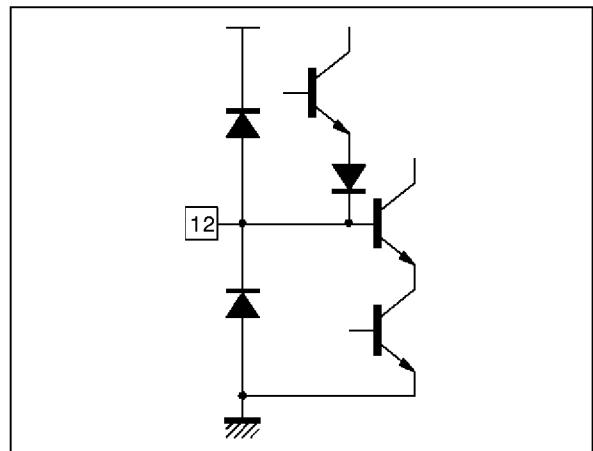
82231-10.EPS

Figure 9 : Video Switch Output



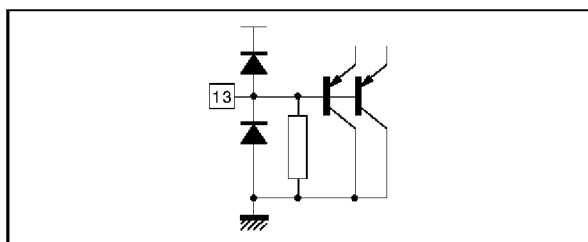
82231-11.EPS

Figure 10 : External Video Input



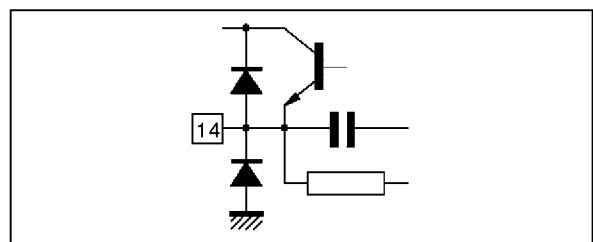
82231-12.EPS

Figure 11 : Volume Control + Mute



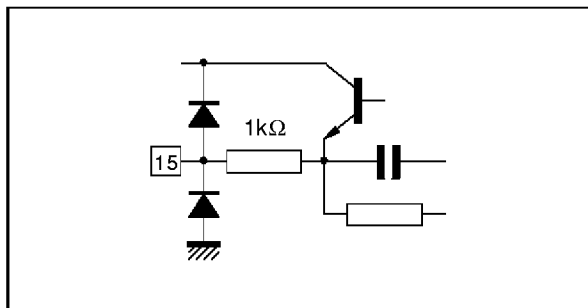
82231-13.EPS

Figure 12 : Audio Switch Output



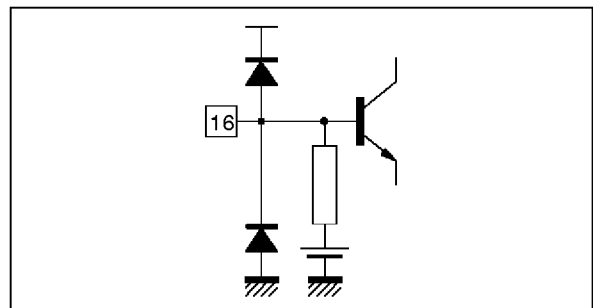
82231-14.EPS

Figure 13 : FM Demodulated Audio Output



82231-15.EPS

Figure 14 : External Audio Input



82231-16.EPS

INPUT/OUTPUT PIN CONFIGURATION (continued)

Figure 15 : V_{CC}

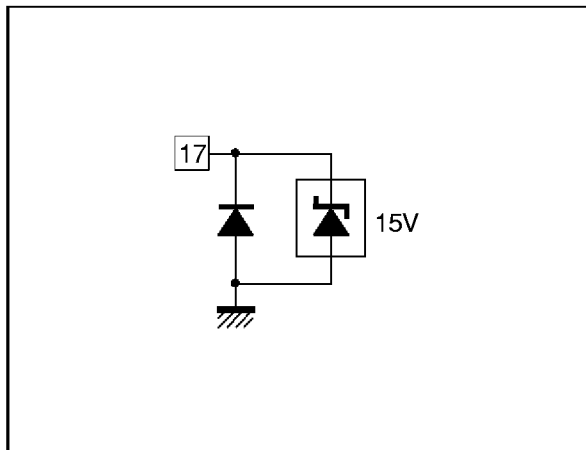


Figure 16 : IF Input

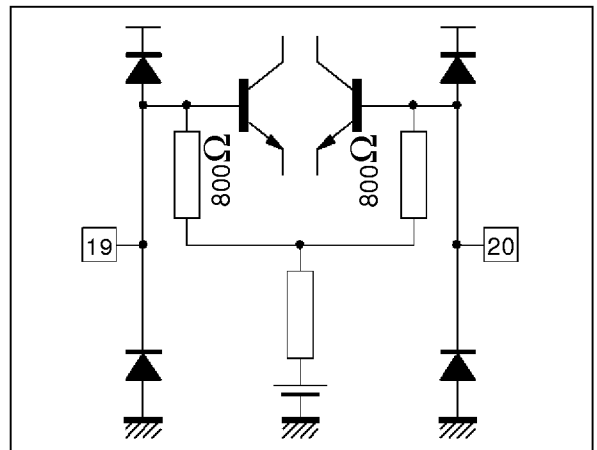


Figure 17 : AGC Capacitor

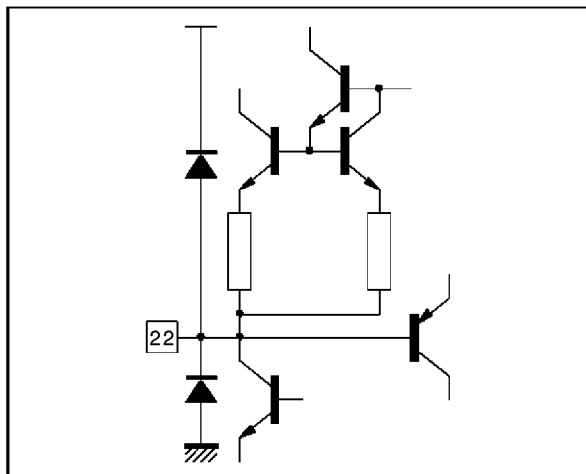


Figure 18 : Tuner AGC Output

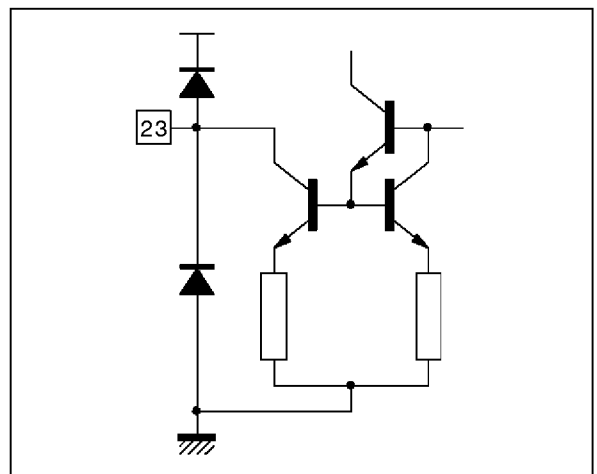


Figure 19 : Tuner AGC Starting Point Adjustment

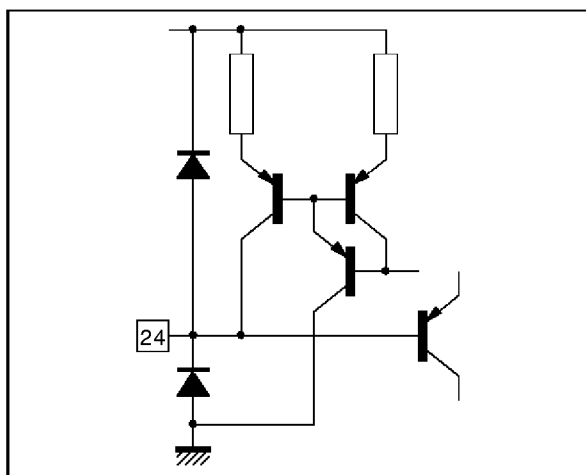
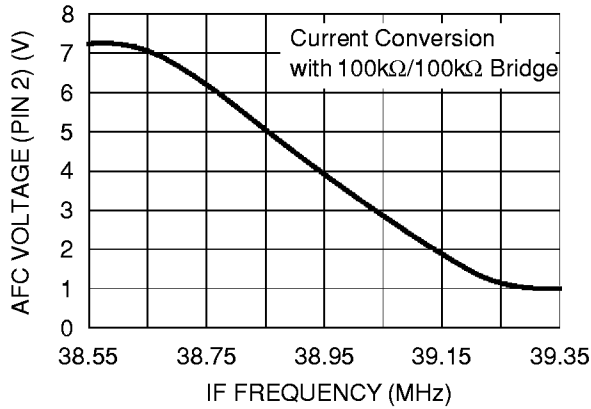
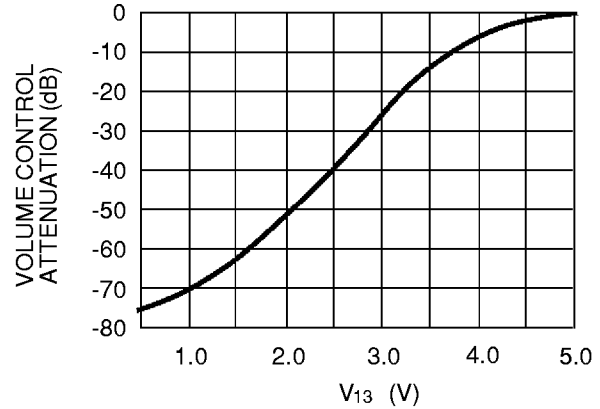


Figure 20 : AFC Voltage Pin 2 vs IF Frequency



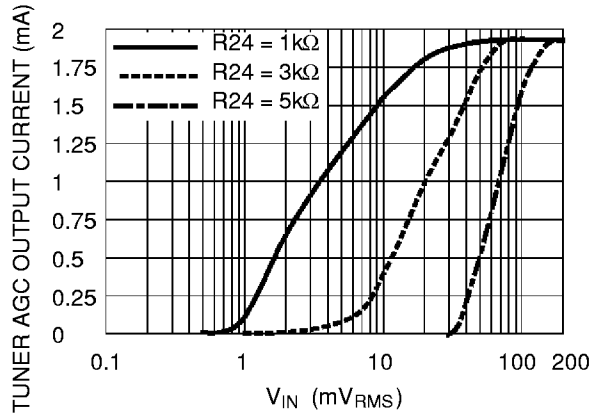
82231-23.EPS

Figure 21 : Volume Control Attenuation vs V_{13}



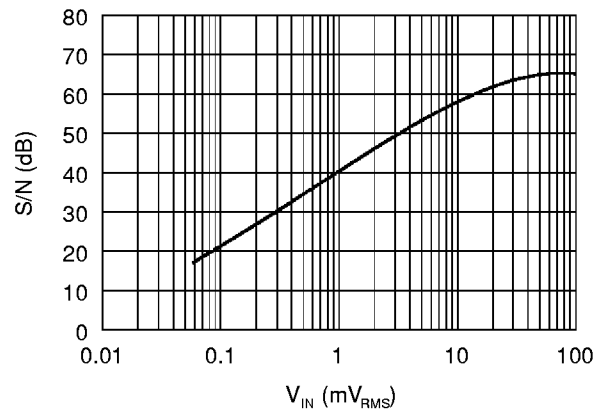
82231-24.EPS

Figure 22 : Tuner AGC Output Current vs V_{IN} (R24 is external adjustment Pin 24)



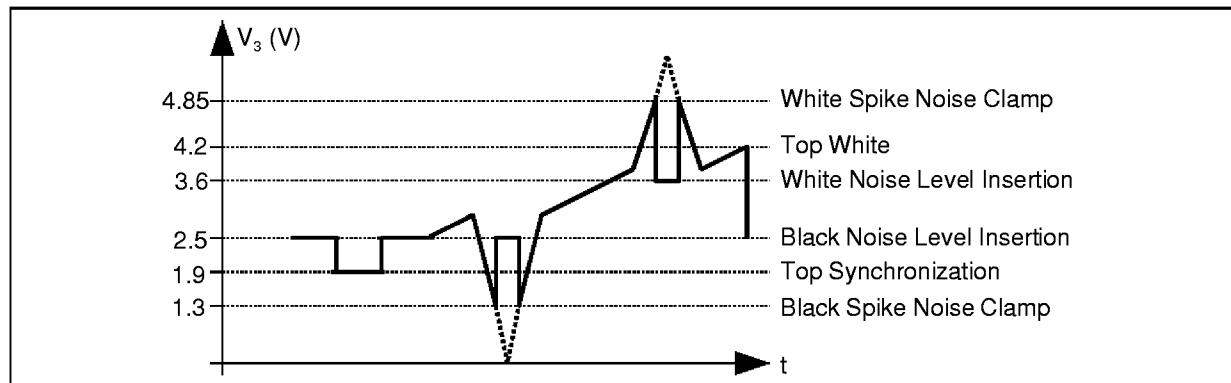
82231-25.EPS

Figure 23 : Video Signal to Noise Ratio (Pin 3) as a function of IF Input Signal (Pins 19-20) Weighted CCIR-567



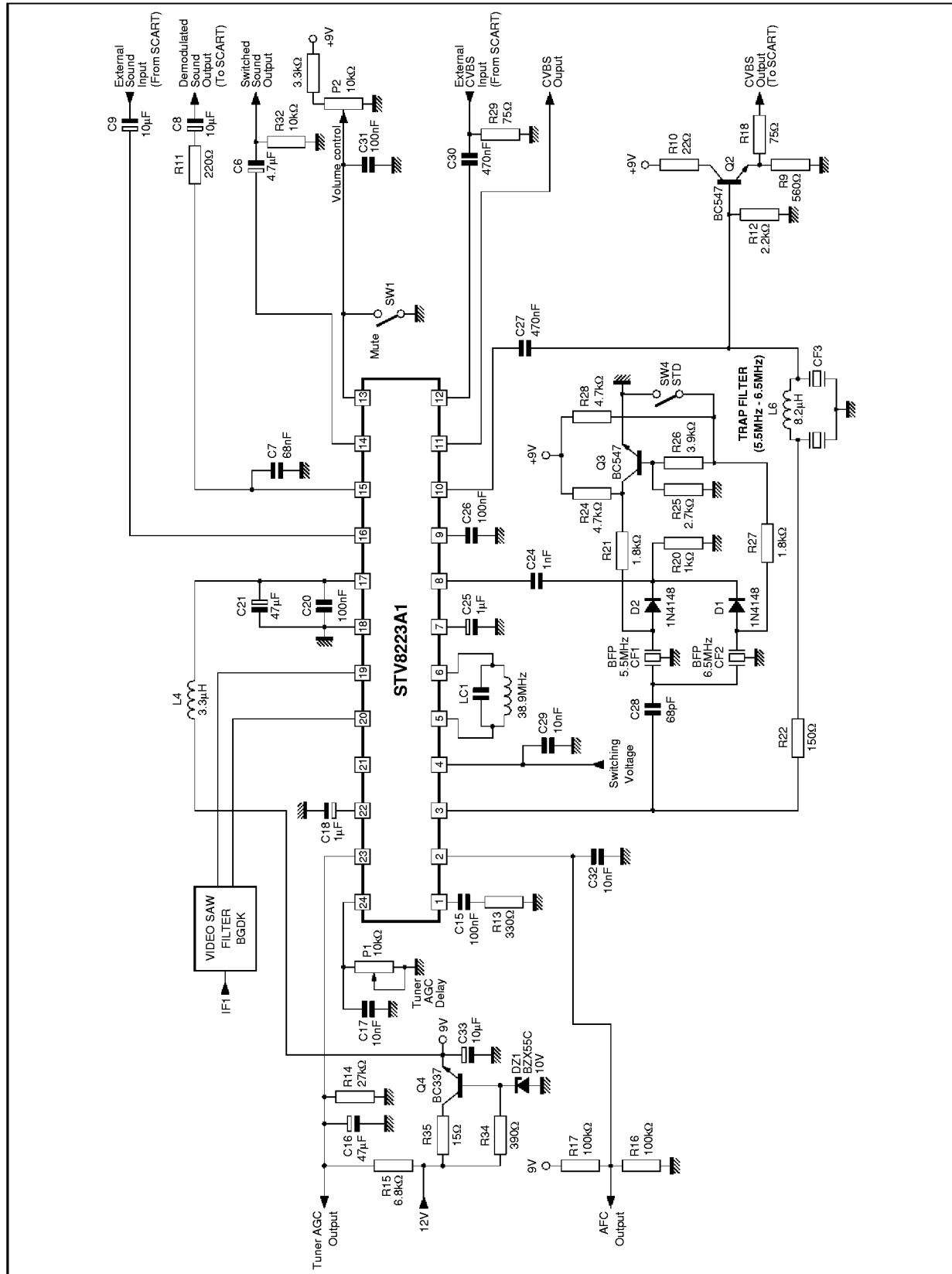
82231-30.EPS

Figure 24 : Black and White Noise Inverter



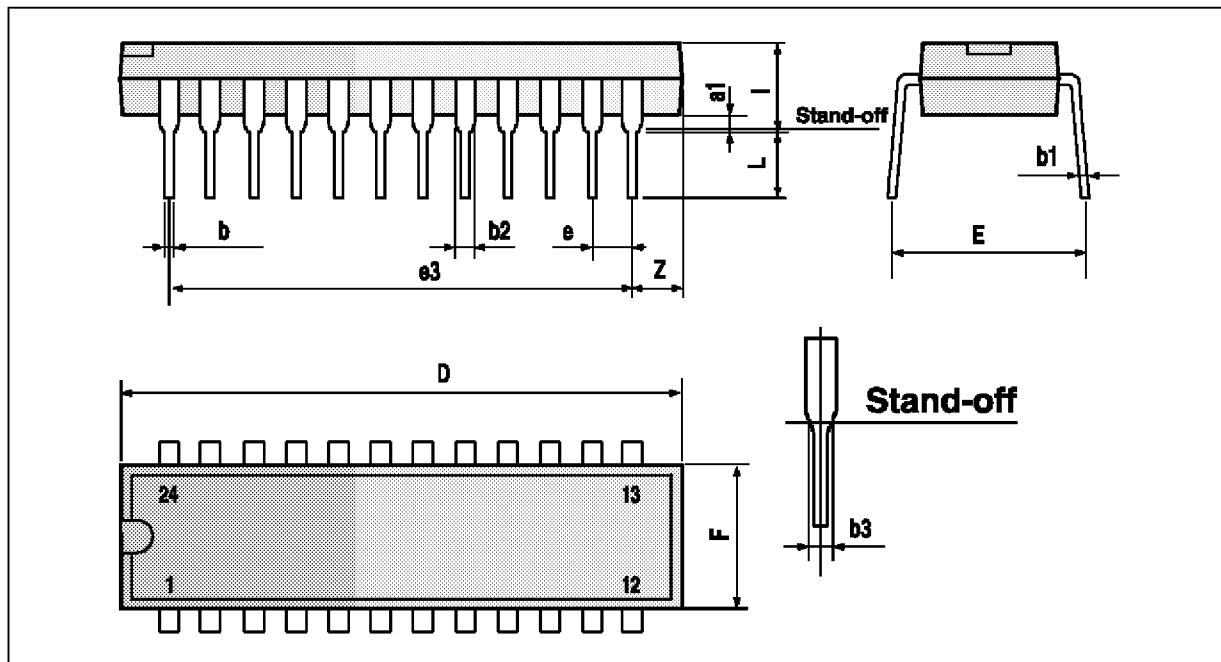
82231-26.EPS

APPLICATION DIAGRAM (B/G/D/K)



82231-27.EPS

PACKAGE MECHANICAL DATA
24 PINS - PLASTIC SHRINK DIP



PMSDIP24.WMF

Dimensions	Millimeters			Inches		
	Min.	Typ.	Max.	Min.	Typ.	Max.
A		3.3			0.130	
a1	0.51			0.020		
b	0.35		0.59	0.014		0.023
b1	0.2		0.36	0.008		0.014
b2	0.75		1.42	0.030		0.056
b3	0.75			0.030		
D			23.11			0.910
E	7.95		9.73	0.313		0.383
e		1.778			0.070	
e3		19.558			0.770	
e4		7.62			0.300	
F			6.86			0.270
i			5.08			0.200
L	2.54			0.100		

SDIP24.TBL

Information furnished is believed to be accurate and reliable. However, SGS-THOMSON Microelectronics assumes no responsibility for the consequences of use of such information nor for any infringement of patents or other rights of third parties which may result from its use. No licence is granted by implication or otherwise under any patent or patent rights of SGS-THOMSON Microelectronics. Specifications mentioned in this publication are subject to change without notice. This publication supersedes and replaces all information previously supplied. SGS-THOMSON Microelectronics products are not authorized for use as critical components in life support devices or systems without express written approval of SGS-THOMSON Microelectronics.

© 1995 SGS-THOMSON Microelectronics - All Rights Reserved

Purchase of I^2C Components of SGS-THOMSON Microelectronics, conveys a license under the Philips I^2C Patent. Rights to use these components in a I^2C system, is granted provided that the system conforms to the I^2C Standard Specifications as defined by Philips.

SGS-THOMSON Microelectronics GROUP OF COMPANIES

Australia - Brazil - China - France - Germany - Hong Kong - Italy - Japan - Korea - Malaysia - Malta - Morocco
The Netherlands - Singapore - Spain - Sweden - Switzerland - Taiwan - Thailand - United Kingdom - U.S.A.