

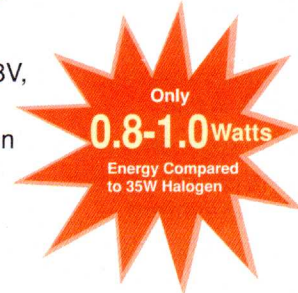


12 LED MR16 TrackLED™ Light Bulb

Ideal for use with alternate and renewable energy resources like solar & wind power

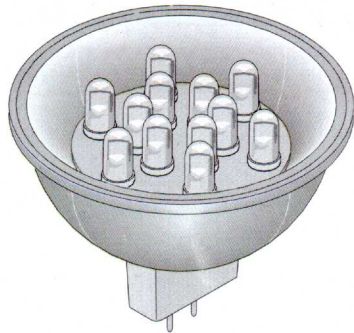
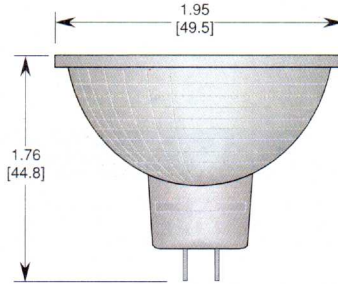
Features

- Easy Installation Using Existing Socket
- LED Operating Life: 100,000+ hrs (10+ years)
- Solid-State, Fast Turn on, No Power Surge
- High Shock/Vibration Resistant
- Major Power Savings
- Voltages Available: 12/14V, 24V, 28V, 120VAC, 240VAC
- Major Reduction in Heat Generation
- Three-Year Lamp Warranty
- Choice of 13 Colors & Infrared

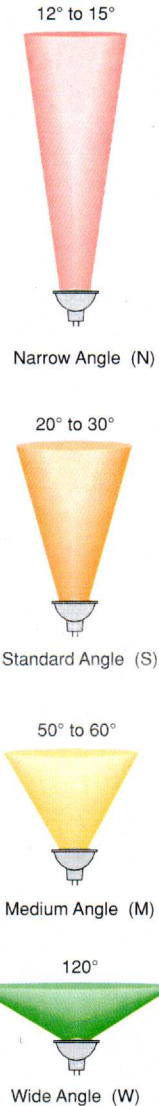


• May not work with dimmer circuits.
 • For direct 12VDC line power source applications.
 • Transformers must be regulated and the output voltage should not exceed 12VDC.

Dimensions



Viewing Angle Options*



Part Number	Emitted Color	Input Voltage	Power (Watts) typ	Illumination** (End Lumens)	Intensity per LED I _v (mcd) typ	λ _p (nm)
MR16-12-0UR-014N	UL RED	12/14V	0.8-1.0	24@15°	2000	660
MR16-12-0ER-014S	SP RED	12/14V	0.8-1.0	50@22°	4200	639
MR16-12-0UO-014N	SP ORANGE	12/14V	0.8-1.0	48@15°	4000	612
MR16-12-0UY-014N	SP YELLOW	12/14V	0.8-1.0	45@15°	3750	595
MR16-12-0PY-014S	SP P YELL	12/14V	0.8-1.0	30@22°	2500	594
MR16-12-0YW-014S	YEL/WHITE	12/14V	0.8-1.0	54@20°	3K/6K†	592/8000K†
MR16-12-0IW-014S	INC WHITE	12/14V	0.8-1.0	24@20°	2000	4500K†
MR16-12-0CW-014S	COOL WHITE	12/14V	0.8-1.0	72@20°	6000	8000K†
MR16-12-2CW-014S	COOL WHITE	12/14V	0.8-1.0	48@22°	4000	8000K†
MR16-12-0UG-014N	LIME GREEN	12/14V	0.8-1.0	12@15°	1000	570
MR16-12-0AG-014N	AQ GREEN	12/14V	0.8-1.0	120@15°	10,000	525
MR16-12-1AG-014N	AQ GREEN	12/14V	0.8-1.0	36@15°	3000	525
MR16-12-2AG-014N	AQ GREEN	12/14V	0.8-1.0	72@15°	6000	525
MR16-12-0BG-014N	B GREEN	12/14V	0.8-1.0	36@15°	3000	505
MR16-12-1BG-014N	B GREEN	12/14V	0.8-1.0	12@15°	1000	505
MR16-12-2BG-014N	B GREEN	12/14V	0.8-1.0	24@15°	2000	505
MR16-12-0PB-014N	SP BLUE	12/14V	0.8-1.0	36@15°	3000	470
MR16-12-1PB-014N	SP BLUE	12/14V	0.8-1.0	12@15°	1000	470
MR16-12-2PB-014N	SP BLUE	12/14V	0.8-1.0	24@15°	2000	470
MR16-12-00B-014N	UL BLUE	12/14V	0.8-1.0	6@15°	500	430
MR16-12-851-014N	INFRARED	12/14V	0.8-1.0		12mW†	850
MR16-12-881-014N	INFRARED	12/14V	0.8-1.0		10mW†	880
MR16-12-941-014N	INFRARED	12/14V	0.8-1.0		8mW†	940

For Other Voltages, Replace -012N with -024N (for 24VDC), -120AN (for 120VAC), -240AN (for 240VAC)

* Replace N in Part Number with Required Viewing Angle Options N - Narrow (12°) S - Standard (30°) M - Medium (50°) W - Extra Wide (120°)

** 1 End-Lumen is approximately 1 End-Footcandle, measurement for Narrow Angle (N) (For more information, refer to page 5 "Common Light Measurement Terms")

† Infrared LED intensity is shown as typical milliwatt power per steradian

‡ Color temperature (Kelvin degrees)



Specifications subject to change without notice.

- All Lamps are Bipolar (AC & DC Compatible)
- Three-Year Lamp Warranty

LEDTRONICS, INC.®
THE FUTURE OF LIGHT



23105 Kashiwa Court, Torrance, CA 90505
Phone: (800) 579-4875 or (310) 534-1505
Fax: (310) 534-1424
E-mail: webmaster@ledtronics.com
Website: www.ledtronics.com