

SPECIFICATIONS

Mechanical

Mating Force: 4.5Pounds max.
Unmating Force: 4.5Pounds max.
Durability: 1000 Cycles

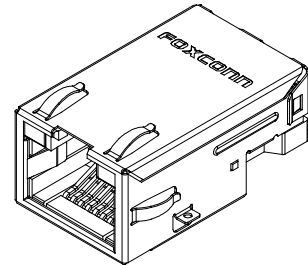
Electrical

Current Rating: 1.5A max.
Dielectric Withstanding Voltage: 1500VAC

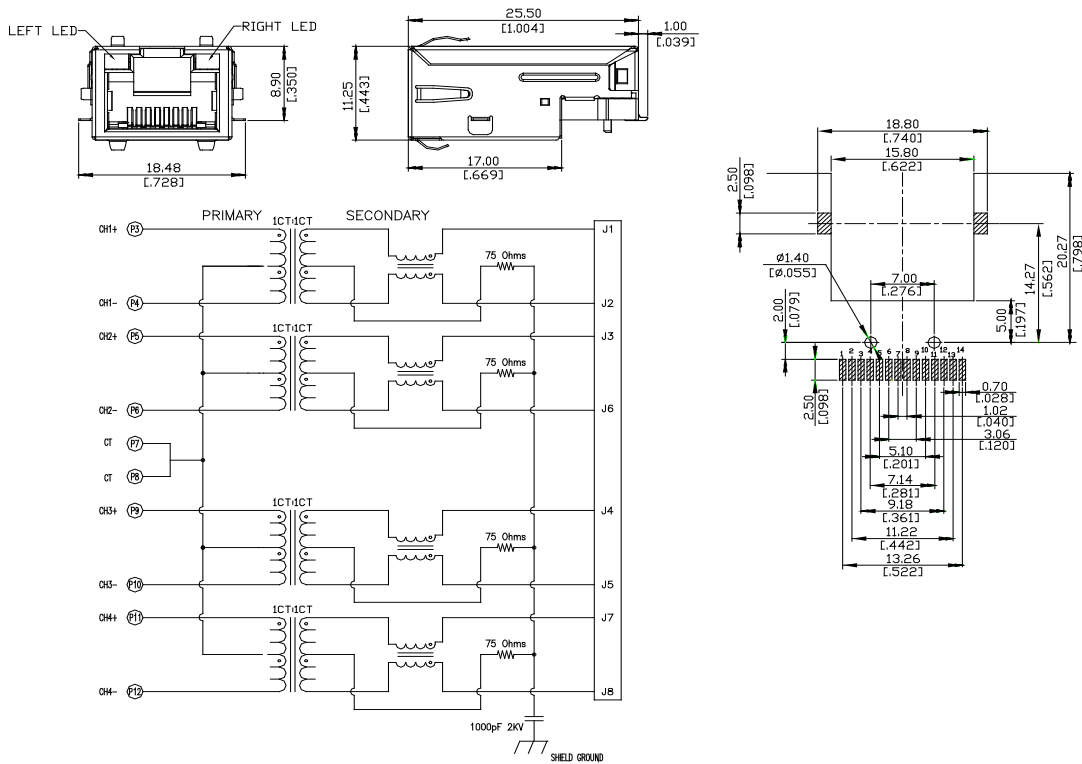
Physical

Housing: Thermoplastic, UL94V-0 rated in Black Color
Contact: Phosphor Bronze
Shell: Brass Alloy
Operating Temperature: -40°C to +85°C

JFM Series
RJ45 1X1
R/A,T/U,SMT Type
1.02mm [.040"] Pitch,
10/100/1000 Base-T



DRAWING



ORDERING INFORMATION

PRODUCT NO. : JFM 3 8 1 2 * - S103 - 4 F

SERIES PREFIX: JFM = RJ WITH MAGNETIC
 PROTOCOL TYPE: 3 = 10/100/1000 BASE T
 CORE COUNT: 8 = 8-CORE
 CONFIGURATION: 1 = 1X1 T/U W/GROUNDING
 F = LEAD FREE
 PACKAGE TYPE: 4 = SOFT TRAY
 EXTENSION CODE
 LEDs:
 PCB ATTACHMENT METHOD: 2 = SMT

	LEFT LED	RIGHT LED
A	GREEN	GREEN-YELLOW
E	GREEN-YELLOW	GREEN
F	GREEN	GREEN-DRANGE