

# 5,08mm Eurostyle® Single-piece (fixed) Block

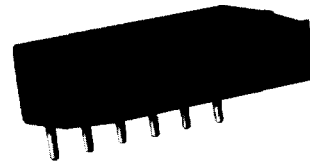
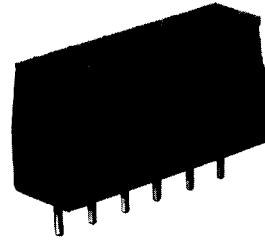
## Description

These Eurostyle® terminal blocks are single-piece styles for permanent mounting to PC boards. They offer the superior reliability of rising cage pressure clamps for securing wires. The product features a closed-bottom design to prevent solder wicking.

Made in the USA, all Eurostyle® terminal blocks embody the highest quality standards in the industry - using the finest materials and world class manufacturing processes. They meet or exceed all applicable industry standards.

## Features

- **Holds wires for a secure, reliable contact.** The specially designed rising cage pressure clamp compresses wires uniformly. Serrations produce a high pressure, gas-tight interface. Built for repeated engagements, it doesn't damage stranded wires.
- **Molded to length.** Unlike using many short lengths, they fit easily into PCB through-holes because there's no increase in pin-to-pin spacing.
- **High flammability rating.** 94V-0 is the highest available rating for the insulator - better than other leading brands.
- **Small footprint.** It's .388-in width is smaller than most brands, saving PCB real estate.



## PRODUCT RATINGS

UL	Class B	20 Amps @ 300 V	12 AWG
	Class C	10 Amps @ 300 V	12 AWG
CSA		15 Amps @ 300 V	12 AWG
IEC 947-7-1		17.5 Amps @ 250V	2,5mm <sup>2</sup>

## SAFETY AGENCIES

UL	File No. E48521
	Guide No. XCFR2
CSA	File No. 025562

## TECHNICAL SPECIFICATIONS

<b>ELECTRICAL</b>	
DWV	4500 VDC
IR	>5000 Megohms
Contact resistance	<10 Milliohms initial

<b>MECHANICAL</b>	
Tightening torque	5 in.-lbs.
Wire strip length	1/4" or 6 mm
Wire Range	12 to 26 AWG

<b>ENVIRONMENTAL</b>	
Continuous Use Temp	
RTI electrical	110°C
RTI mechanical w/o impact	115°C

## MATERIALS

Insulator	Polyamide, UL94V-0, black
Pressure Clamp	Brass, nickle plate
Contacts	Phosphor bronze, hot tin dip
Screws	Steel, zinc chromate plate

## OPTIONS

-10A	Sequential numbering
-49	Brass screws

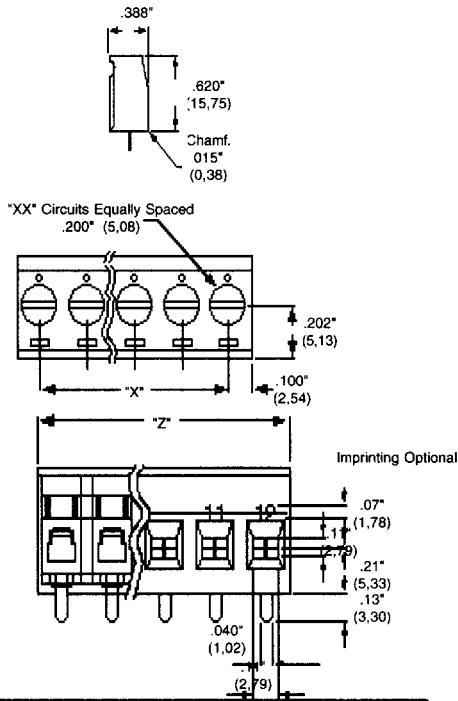
## HOW TO ORDER



SERIES	STYLE	NO. OF POLES	OPTIONS
88	05 08	2 to 24	(Dash#'s above)

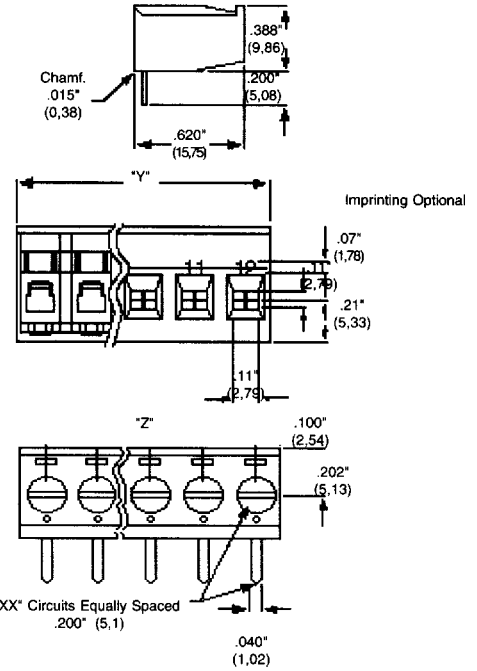
Molex Industrial Division  
 New England Operations  
 Gilford, NH 03246-6600  
 Phone (603) 524-5101  
 Fax (603) 524-1627  
 Internet www.beuint.com

Style 05



Part Number	X		Z	
	in	mm	in	mm
880502	.20	5,1	.42	10,7
880503	.40	10,2	.62	15,7
880504	.60	15,2	.82	20,8
880505	.80	20,3	1.02	25,9
<hr/>				
880506	1.00	25,4	1.22	31,0
880507	1.20	30,5	1.42	36,1
880508	1.40	35,6	1.62	41,1
880509	1.60	40,6	1.82	46,2
<hr/>				
880510	1.80	45,7	2.02	51,3
880511	2.00	50,8	2.22	56,3
880512	2.20	55,9	2.42	61,5
880513	2.40	61,0	2.62	66,5
<hr/>				
880514	2.60	66,0	2.82	71,6
880515	2.80	71,1	3.02	76,7
880516	3.00	76,2	3.22	81,8
880517	3.20	81,3	3.42	86,9
<hr/>				
880518	3.40	86,4	3.62	91,9
880519	3.60	91,4	3.82	97,0
880520	3.80	96,5	4.02	102,1
880521	4.00	101,6	4.22	107,2
<hr/>				
880522	4.20	106,7	4.42	112,3
880523	4.40	111,8	4.62	117,3
880524	4.60	116,8	4.82	122,4

Style 08



Part Number	X		Z	
	in	mm	in	mm
880802	.20	5,1	.42	10,7
880803	.40	10,2	.62	15,7
880804	.60	15,2	.82	20,8
880805	.80	20,3	1.02	25,9
<hr/>				
880806	1.00	25,4	1.22	31,0
880807	1.20	30,5	1.42	36,1
880808	1.40	35,6	1.62	41,1
880809	1.60	40,6	1.82	46,2
<hr/>				
880810	1.80	45,7	2.02	51,3
880811	2.00	50,8	2.22	56,3
880812	2.20	55,9	2.42	61,5
880813	2.40	61,0	2.62	66,5
<hr/>				
880814	2.60	66,0	2.82	71,6
880815	2.80	71,1	3.02	76,7
880816	3.00	76,2	3.22	81,8
880817	3.20	81,3	3.42	86,9
<hr/>				
880818	3.40	86,4	3.62	91,9
880819	3.60	91,4	3.82	97,0
880820	3.80	96,5	4.02	102,1
880821	4.00	101,6	4.22	107,2
<hr/>				
880822	4.20	106,7	4.42	112,3
880823	4.40	111,8	4.62	117,3
880824	4.60	116,8	4.82	122,4