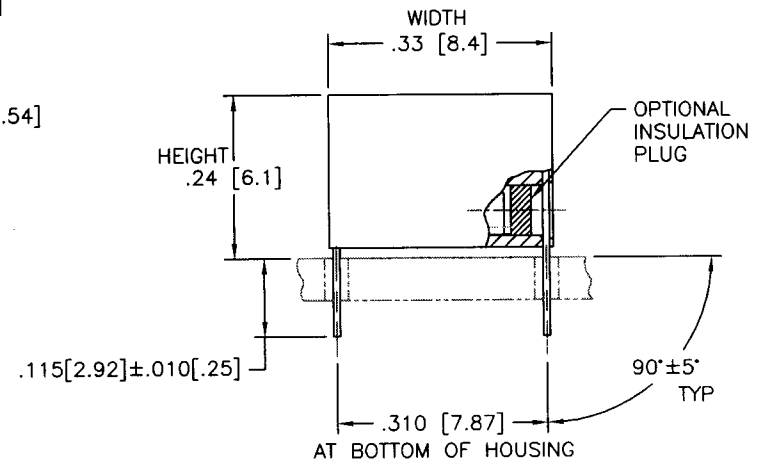
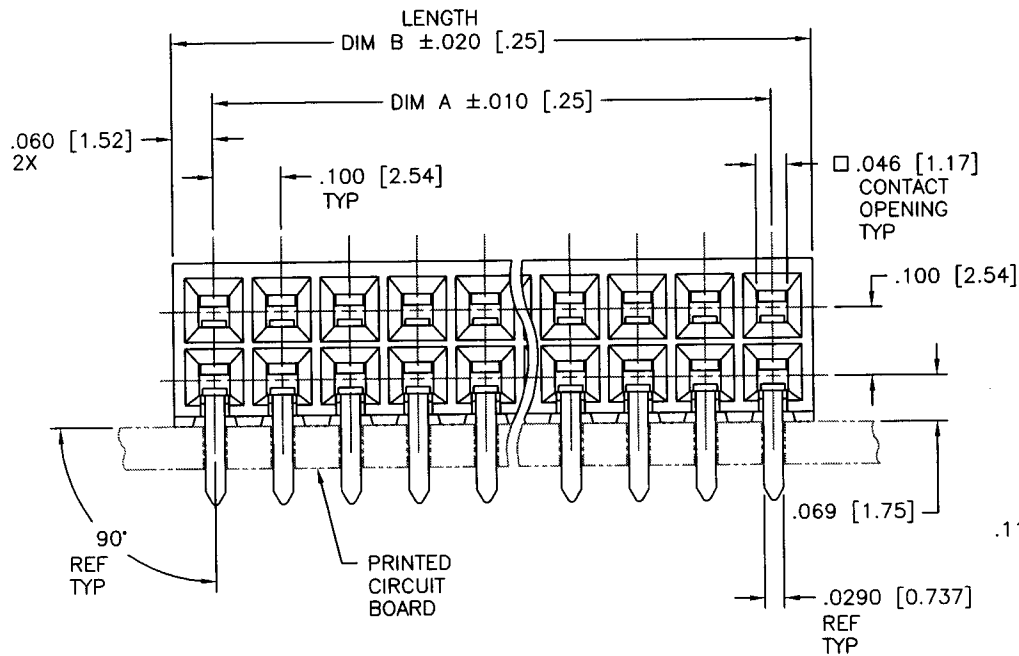
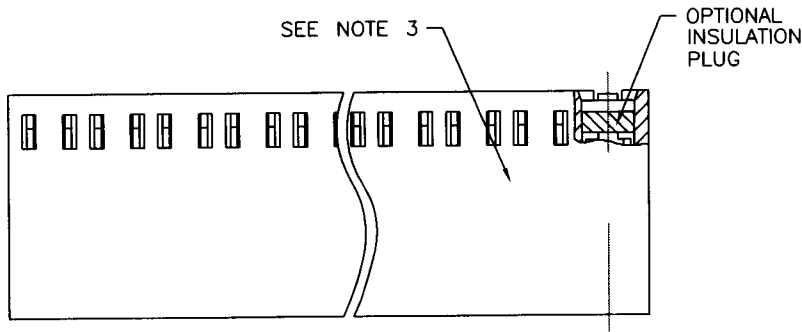


PRODUCT NUMBER

SEE TABLE



REVISIONS				SHEET INDEX	ISSUE SH NO.	L	J	G	G	G	G	H	H	H	H	H	H	
REV	ECN/DDR#	BY	DATE															
G	CHG CHARTS	JGS	3/14/90	1	2	3	4	5	6	7	8							
H	V32203	MSC	2/9/94															
J	V60889	LSS	8/9/96															
K	V61633	EPK	11/14/96															
L	V70994	JM	10/19/97															

TOLERANCES UNLESS OTHERWISE SPECIFIED				FINISH				DR				DATE				CUSTOMER COPY							
LINEAR				ANGLES				MAY SEE NOTES				DR				DATE				CUSTOMER COPY			
.000±.005 / .00±.13				0° ± 2°				M.HAHN				3/14/90				M.HAHN				3/14/90			
.000±.0020 / .000±.051								M.HAHN				3/14/90				M.HAHN				3/14/90			

BERG ELECTRONICS

TITLE: 2 X .100 CARD CONNECTOR

SCALE: 8/1 C

SIZE: 66924

DWG. NO.: 66924

SHEET: 1 OF 8

PRODUCT NUMBER

66924

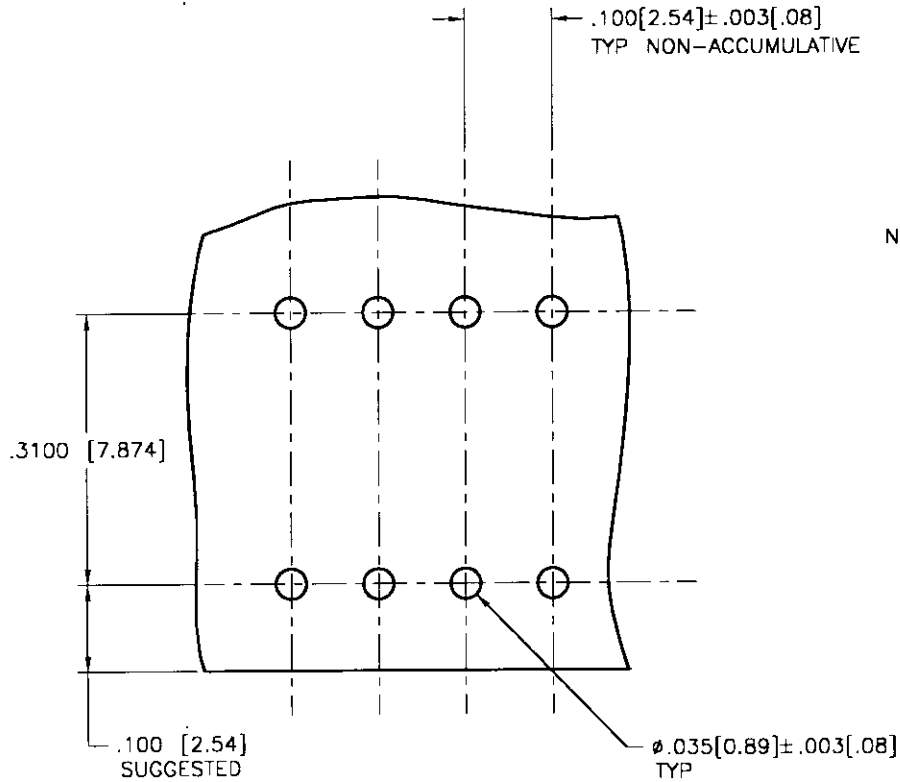


FIGURE 1
SCALE 10/1

NOTES.

1. HOUSING MATERIAL.
10% GLASS-FILLED THERMOPLASTIC POLYESTER
PER UL 94V-0
COLOR. BLACK
2. TERMINAL MATERIAL.
BODY. 1/2 HARD BRASS. ALLOY C26000 .010/.25 THICK.
SPRING. BE-CU. ALLOY C17200 HEAT TREATED
BODY PLATING.
15 MICRINCH/.38 MICRON GOLD OVER 50 MICRINCH
1.27 MICRON IN CONTACT AREA.
SPRING PLATING. GOLD FLASH
- ③ MARK "BERG" BERG PART NUMBER AND DATE CODE.
4. APPLICATION INFORMATION.
A. RECOMMENDED MOUNTING HOLE PATTERN IS SHOWN IN FIG. "1".
B. ALL MATING PINS TO BE .025/.64 SQUARE ON TRUE CENTER OF GIVEN TERMINAL SPACINGS WITHIN .015/.38 DIA.
C. SUGGESTED MATING PIN LENGTH .350±.020/8.89±.51.

REVISIONS				SHEET INDEX	ISSUE SH NO.					CUSTOMER COPY		TITLE	SCALE	SIZE	DWG. NO.	SHEET	
REV	ECN/DDR#	BY	DATE			TOLERANCES UNLESS OTHERWISE SPECIFIED	FINISH	DR	DATE	UNIT	INCH						MIL
J					.002/.01 / .02/.3	J. SHREINER	3/14/90						2 X .100				
					.0002/.005 / .002/.13	M. HAHN	3/14/90						CARD CONNECTOR				
					.00002/.0020 / .0002/.051	M. HAHN	3/14/90										
					ANGLES 0° 2°	M. HAHN	3/14/90										

PRODUCT NUMBER	N. OF POS.	DIM. A	DIM. B	INSULATION PLUG
66924-001	2X1	.60/.0	.120/3.05	NO
-002	2X2	.10/2.5	.220/5.59	
-003	2X3	.20/5.0	.320/8.13	
-004	2X4	.30/7.6	.420/10.67	
-005	2X5	.40/10.1	.520/13.21	
-006	2X6	.50/12.7	.620/15.75	
-007	2X7	.60/15.2	.720/18.27	
-008	2X8	.70/17.7	.820/20.83	
-009	2X9	.80/20.3	.920/23.37	
-010	2X10	.90/22.8	1.020/25.91	
-011	2X11	1.00/25.4	1.120/28.45	
-012	2X12	1.10/27.9	1.220/30.99	
-013	2X13	1.20/30.4	1.320/33.53	
-014	2X14	1.30/33.0	1.420/36.07	
-015	2X15	1.40/35.5	1.520/38.61	
-016	2X16	1.50/38.1	1.620/41.15	
-017	2X17	1.60/40.6	1.720/43.69	
-018	2X18	1.70/43.1	1.820/46.23	
-019	2X19	1.80/45.7	1.920/48.77	
-020	2X20	1.90/48.2	2.020/51.31	
-021	2X21	2.00/50.8	2.120/53.85	
-022	2X22	2.10/53.3	2.220/56.39	
-023	2X23	2.20/55.8	2.320/58.93	
-024	2X24	2.30/58.4	2.420/61.47	
-025	2X25	2.40/60.9	2.520/64.01	
-026	2X26	2.50/63.5	2.620/66.55	
-027	2X27	2.60/66.0	2.720/69.09	
-028	2X28	2.70/68.5	2.820/71.63	
-029	2X29	2.80/71.1	2.920/74.17	
-030	2X30	2.90/73.6	3.020/76.71	
-031	2X31	3.00/76.2	3.120/79.25	
-032	2X32	3.10/78.7	3.220/81.79	
-033	2X33	3.20/81.2	3.320/84.33	
-034	2X34	3.30/83.8	3.420/86.87	
-035	2X35	3.40/86.3	3.520/89.41	
-036	2X36	3.50/88.9	3.620/91.95	
-037	2X37	3.60/91.4	3.720/94.49	
-038	2X38	3.70/93.9	3.820/97.03	
-039	2X39	3.80/96.5	3.920/99.57	
66924-040	2X40	3.90/99.0	4.020/102.11	NO

----- UNASSIGNED
----- UNASSIGNED

REVISIONS				SHEET INDEX	ISSUE SH NO.								
REV	ECH/DDR	BY	DATE										
G													
				TOLERANCES UNLESS OTHERWISE SPECIFIED				MAY - J. SHREINER 3/14/90				CUSTOMER COPY	
				LINEAR .0008 .0015 / .0013				FRESH - M. MAHN 3/14/90				TITLE	
				.0008 .0020 / .0008 .0011				PRODUCT FAMILY CARD CONN				M. MAHN 3/14/90	
				ANGLES 2x Z				APPRO M. MAHN 3/14/90				THIRD ANGLE PROJ	

BERG ELECTRONICS

TITLE: 2 X .100 CARD CONNECTOR

SCALE: 1/1 C


SIZE: 66924

DWG. NO: 66924

SHEET: 3 OF 3

PRODUCT NUMBER	N. OF POS.	DIM. A	DIM. B	INSULATION PLUG
66924-041	2X41	4.00/101.6	4.120/104.65	NO
-042	2X42	4.10/104.1	4.220/107.19	
-043	2X43	4.20/106.6	4.320/109.73	
-044	2X44	4.30/109.2	4.420/112.27	
-045	2X45	4.40/111.7	4.520/114.81	
-046	2X46	4.50/114.3	4.620/117.35	
-047	2X47	4.60/116.8	4.720/119.89	
-048	2X48	4.70/119.3	4.820/122.43	
-049	2X49	4.80/121.9	4.920/124.97	
-050	2X50	4.90/124.4	5.020/127.51	
-051	2X51	5.00/127.0	5.120/130.05	
-052	2X52	5.10/129.5	5.220/132.59	
-053	2X53	5.20/132.0	5.320/135.15	
-054	2X54	5.30/134.6	5.420/137.67	
-055	2X55	5.40/137.1	5.520/140.21	
-056	2X56	5.50/139.7	5.620/142.76	
-057	2X57	5.60/142.2	5.720/145.29	
-058	2X58	5.70/144.7	5.820/147.83	
-059	2X59	5.80/147.3	5.920/150.37	
-060	2X60	5.90/149.8	6.020/152.91	
-061	2X61	6.00/152.4	6.120/155.45	
-062	2X62	6.10/154.9	6.220/157.99	
-063	2X63	6.20/157.4	6.320/160.53	
-064	2X64	6.30/160.0	6.420/163.07	
-065	2X65	6.40/162.5	6.520/165.61	
-066	2X66	6.50/165.1	6.620/168.15	
-067	2X67	6.60/167.6	6.720/170.69	
-068	2X68	6.70/170.1	6.820/173.23	
-069	2X69	6.80/172.7	6.920/175.77	
-070	2X70	6.90/175.2	7.020/178.31	
-071	2X71	7.00/177.8	7.120/180.85	
-072	2X72	7.10/180.3	7.220/183.39	
-073	2X73	7.20/182.8	7.320/185.93	
-074	2X74	7.30/185.4	7.420/188.47	
-075	2X75	7.40/187.9	7.520/191.01	
-076	2X76	7.50/190.5	7.620/193.55	
-077	2X77	7.60/193.0	7.720/196.09	
-078	2X78	7.70/195.5	7.820/198.63	
-079	2X79	7.80/198.1	7.920/201.17	
66924-080	2X80	7.90/200.6	8.020/203.71	NO

REVISIONS				SHEET INDEX	ISSUE				CUSTOMER COPY
REV	ECN/DDR#	BY	DATE		SH NO.				
G									
				TOLERANCES UNLESS OTHERWISE SPECIFIED	MAY	-	DR J. SHREINER	3/14/90	
				0001 01 / 0001 03	FINISH	-	CHK M. MAHN	3/14/90	
				0000 005 / 0001 13	PRODUCT FAMILY	CARD CONN	CHK M. MAHN	3/14/90	
				0000 0020 / 0000 051	APPRO	M. MAHN	3/14/90		
				ANGLES	0.2 Z				



BERG
ELECTRONICS

2 X .100
CARD CONNECTOR

SCALE: 1/1 C SIZE: 66924 SHEET: 4 of 4

PRODUCT NUMBER	N. OF POS.	DIM. A	DIM. B	INSULATION PLUG
66924-081	2X81	8.00/203.2	8.120/206.25	NO
-082	2X82	8.10/205.7	8.220/208.79	
-083	2X83	8.20/208.2	8.320/211.33	
-084	2X84	8.30/210.8	8.420/213.87	
-085	2X85	8.40/213.3	8.520/216.41	
-086	2X86	8.50/215.9	8.620/218.95	
-087	2X87	8.60/218.4	8.720/221.49	
-088	2X88	8.70/220.9	8.820/224.03	
-089	2X89	8.80/223.5	8.920/226.57	
-090	2X90	8.90/226.0	9.020/229.11	
-091	2X91	9.00/228.6	9.120/231.65	
-092	2X92	9.10/231.1	9.220/234.19	
-093	2X93	9.20/233.6	9.320/236.73	
-094	2X94	9.30/236.2	9.420/239.27	
-095	2X95	9.40/238.7	9.520/241.81	
-096	2X96	9.50/241.3	9.620/244.35	
-097	2X97	9.60/243.8	9.720/246.89	
-098	2X98	9.70/246.3	9.820/249.43	
-099	2X99	9.80/248.9	9.920/251.97	
66924-100	2X100	9.90/251.4	10.020/254.51	NO

REVISIONS				SHEET INDEX	ISSUE									
REV	ECN/DDR	BY	DATE	INDEX	SH NO.									
G														
TOLERANCES UNLESS OTHERWISE SPECIFIED						MAT	-	DR	J.SHREINER	3/14/90	CUSTOMER COPY			
LINEAR						FINISH	-	DR	M.HAHN	3/14/90	TITLE			
ANGLES						PRODUCT FAMILY	CARD CONN	CHK	M.HAHN	3/14/90	2 X .100 CARD CONNECTOR			
						APPR	M.HAHN	3/14/90	SCALE: SIZE: DWG. NO. SHEET					
											1/1	C	66924	5 of



PRODUCT NUMBER	N. OF POS.	DIM. A	DIM. B	INSULATION PLUG
66924-501	2X1	.00/.0	.120/3.05	YES
-502	2X2	.10/2.5	.220/5.59	
-503	2X3	.20/5.0	.320/8.13	
-504	2X4	.30/7.6	.420/10.67	
-505	2X5	.40/10.1	.520/13.21	
-506	2X6	.50/12.7	.620/15.75	
-507	2X7	.60/15.2	.720/18.27	
-508	2X8	.70/17.7	.820/20.83	
-509	2X9	.80/20.3	.920/23.37	
-510	2X10	.90/22.8	1.020/25.91	
-511	2X11	1.00/25.4	1.120/28.45	
-512	2X12	1.10/27.9	1.220/30.99	
-513	2X13	1.20/30.4	1.320/33.53	
-514	2X14	1.30/33.0	1.420/36.07	
-515	2X15	1.40/35.5	1.520/38.61	
-516	2X16	1.50/38.1	1.620/41.15	
-517	2X17	1.60/40.6	1.720/43.69	
-518	2X18	1.70/43.1	1.820/46.23	
-519	2X19	1.80/45.7	1.920/48.77	
-520	2X20	1.90/48.2	2.020/51.31	
-521	2X21	2.00/50.8	2.120/53.85	
-522	2X22	2.10/53.3	2.220/56.39	
-523	2X23	2.20/55.8	2.320/58.93	
-524	2X24	2.30/58.4	2.420/61.47	
-525	2X25	2.40/60.9	2.520/64.01	
-526	2X26	2.50/63.5	2.620/66.55	
-527	2X27	2.60/66.0	2.720/69.09	
-528	2X28	2.70/68.5	2.820/71.63	
-529	2X29	2.80/71.1	2.920/74.17	
-530	2X30	2.90/73.6	3.020/76.71	
-531	2X31	3.00/76.2	3.120/79.25	
-532	2X32	3.10/78.7	3.220/81.79	
-533	2X33	3.20/81.2	3.320/84.33	
-534	2X34	3.30/83.8	3.420/86.87	
-535	2X35	3.40/86.3	3.520/89.41	
-536	2X36	3.50/88.9	3.620/91.95	
-537	2X37	3.60/91.4	3.720/94.49	
-538	2X38	3.70/93.9	3.820/97.03	
-539	2X39	3.80/96.5	3.920/99.57	
66924-540	2X40	3.90/99.0	4.020/102.11	YES

UNASSIGNED
UNASSIGNED

REVISIONS				SHEET INDEX	ISSUE					
REV	ECN/DDR#	BY	DATE	SH NO.						
G										
TOLERANCES UNLESS OTHERWISE SPECIFIED					FRSH	-	ENR	J. SHREINER	3/14/90	CUSTOMER COPY
LINEAR					0001 01 / 001 3	FRSH	-	ENR	M. HAHN	3/14/90
ANGLES					00008 0020 / 0008 001	PRODUCT FAMILY	CARD CONN	CHK	M. HAHN	3/14/90
					0° ± 2	APPR		M. HAHN	3/14/90	

BERG ELECTRONICS		TITLE	
		2 X .100	
		CARD CONNECTOR	
SCALE	SIZE	DWG. NO.	SHEET
1/1	C	66924	6 of

PRODUCT NUMBER	N. OF POS.	DIM. A	DIM. B	INSULATION PLUG
66924-541	2X41	4.00/101.6	4.120/104.65	YES
-542	2X42	4.10/104.1	4.220/107.19	
-543	2X43	4.20/106.6	4.320/109.73	
-544	2X44	4.30/109.2	4.420/112.27	
-545	2X45	4.40/111.7	4.520/114.81	
-546	2X46	4.50/114.3	4.620/117.35	
-547	2X47	4.60/116.8	4.720/119.89	
-548	2X48	4.70/119.3	4.820/122.43	
-549	2X49	4.80/121.9	4.920/124.97	
-550	2X50	4.90/124.4	5.020/127.51	
-551	2X51	5.00/127.0	5.120/130.05	
-552	2X52	5.10/129.5	5.220/132.59	
-553	2X53	5.20/132.0	5.320/135.15	
-554	2X54	5.30/134.6	5.420/137.67	
-555	2X55	5.40/137.1	5.520/140.21	
-556	2X56	5.50/139.7	5.620/142.76	
-557	2X57	5.60/142.2	5.720/145.29	
-558	2X58	5.70/144.7	5.820/147.83	
-559	2X59	5.80/147.3	5.920/150.37	
-560	2X60	5.90/149.8	6.020/152.91	
-561	2X61	6.00/152.4	6.120/155.45	
-562	2X62	6.10/154.9	6.220/157.99	
-563	2X63	6.20/157.4	6.320/160.53	
-564	2X64	6.30/160.0	6.420/163.07	
-565	2X65	6.40/162.5	6.520/165.61	
-566	2X66	6.50/165.1	6.620/168.15	
-567	2X67	6.60/167.6	6.720/170.69	
-568	2X68	6.70/170.1	6.820/173.23	
-569	2X69	6.80/172.7	6.920/175.77	
-570	2X70	6.90/175.2	7.020/178.31	
-571	2X71	7.00/177.8	7.120/180.85	
-572	2X72	7.10/180.3	7.220/183.39	
-573	2X73	7.20/182.8	7.320/185.93	
-574	2X74	7.30/185.4	7.420/188.47	
-575	2X75	7.40/187.9	7.520/191.01	
-576	2X76	7.50/190.5	7.620/193.55	
-577	2X77	7.60/193.0	7.720/196.09	
-578	2X78	7.70/195.5	7.820/198.63	
-579	2X79	7.80/198.1	7.920/201.17	
66924-580	2X80	7.90/200.6	8.020/203.71	YES

REVISIONS				SHEET INDEX	ISSUE SH NO.					CUSTOMER COPY	TITLE
REV	ECH/DDR#	BY	DATE			TOLERANCES UNLESS OTHERWISE SPECIFIED	MAT	DR	CHK		
G						J. SHREINER	3/14/90				2 X .100
					LINEAR	M. MAHN	3/14/90				CARD CONNECTOR
					ANGLES	M. MAHN	3/14/90				7 of

BERG ELECTRONICS

2 X .100
CARD CONNECTOR

SCALE: 1/1 C DWG. NO. 66924 SHEET 7 of

PRODUCT NUMBER	N. OF POS.	DIM. A	DIM. B	INSULATION PLUG
66924-581	2X81	8.00/203.2	8.120/206.25	YES
-582	2X82	8.10/205.7	8.220/208.79	
-583	2X83	8.20/208.2	8.320/211.33	
-584	2X84	8.30/210.8	8.420/213.87	
-585	2X85	8.40/213.3	8.520/216.41	
-586	2X86	8.50/215.9	8.620/218.95	
-587	2X87	8.60/218.4	8.720/221.49	
-588	2X88	8.70/220.9	8.820/224.03	
-589	2X89	8.80/223.5	8.920/226.57	
-590	2X90	8.90/226.0	9.020/229.11	
-591	2X91	9.00/228.6	9.120/231.65	
-592	2X92	9.10/231.1	9.220/234.19	
-593	2X93	9.20/233.6	9.320/236.73	
-594	2X94	9.30/236.2	9.420/239.27	
-595	2X95	9.40/238.7	9.520/241.81	
-596	2X96	9.50/241.3	9.620/244.35	
-597	2X97	9.60/243.8	9.720/246.89	
-598	2X98	9.70/246.3	9.820/249.43	
-599	2X99	9.80/248.9	9.920/251.97	
66924-600	2X100	9.90/251.4	10.020/254.51	YES
66924-801	2X35	3.40/86.36	3.520/89.41	YES

SPECIAL-SPRING- OBSOLETE

REVISIONS				SHEET INDEX	ISSUE SH NO.										
REV	ECH/DOR	BY	DATE												
H															
				TOLERANCES UNLESS OTHERWISE SPECIFIED				MAY -				DR J. SHREINER 3/14/90			
				0.08 .01 / 0.08 .3				FINISH -				ENGR M. MAHN 3/14/90			
				LINEAR 0.008 .005 / 0.08 .13				PROPERTY FAMILY CARD CONN				CHK M. MAHN 3/14/90			
				0.0008 0.0020 / 0.008 .051								APPR M. MAHN 3/14/90			
				ANGLES 0.2											

		TITLE		2 X .100	
		CARD CONNECTOR			
SCALE	1/1	SIZE	C	DRWG. NO.	66924
UNIT	INCH	SHEET	8 of		