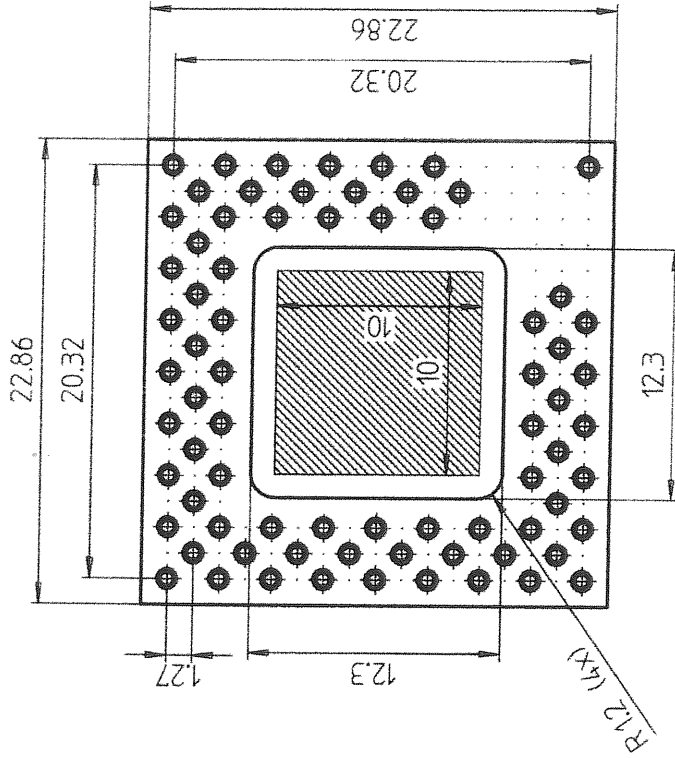
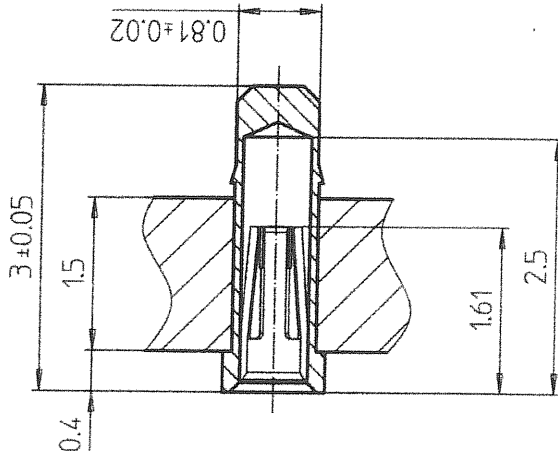
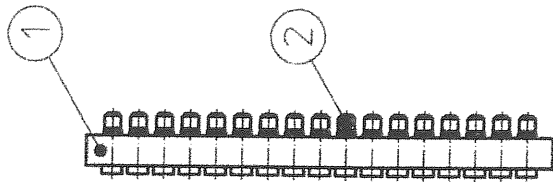


Unauthorized reproduction of this drawing is not permitted.
This drawing contains proprietary and confidential information.

Détail 15:1



APPROVAL	DATE	VISA
MANUFACTURING	28.06.2011	TL
SALES DEPT		
CUSTOMER		

Notes :

- Max bow of insulator 0.1 mm per 25.4 mm length
- Tail location within ±0.1 from theoretical position

2	Contact 01448-83-0110	74	
1	Isolant 5-074-201S717-101	1	
Pos.	Désignation	Qté	Matière - Protection
			Remplace:
			Remplacé par:
			Dessiné 28.06.2011 T.Lépineux
			Contrôlé
			N° dessin
			Révision
			514-83-074M17-101148

SOCLE BGA / PAS 1.27



preci-dip
swiss world connects