

SPECIFICATIONS

Mechanical

Mating Force: 4 Pounds Max.

Unmating Force: 4 Pounds Max.

Durability: 1000 Cycles

Electrical

Current Rating: 1.5A Max.

Voltage Rating: 150 VAC

Dielectric Withstanding Voltage: 1000V Contact To Contact
1500V Contact To Shield

Physical

Housing: Thermoplastic, UL 94V-0 Rated In Black Color

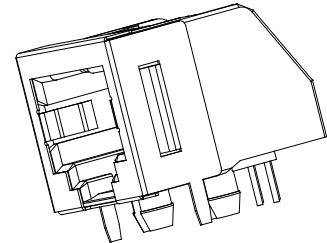
Contact: Copper Alloy

Shell: Copper Alloy

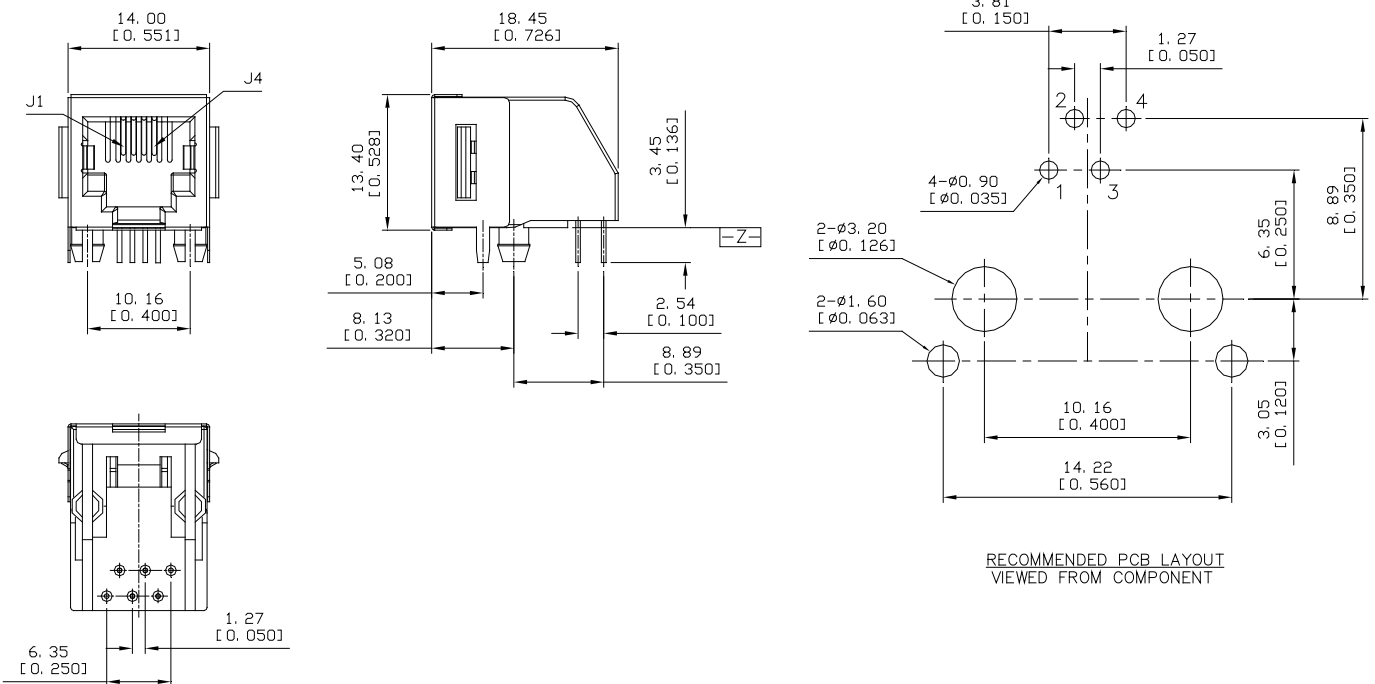
Operating Temperature: 0°C To +70°C

JM Series

**RJ11 T/H CONNECTOR
R/A T/D TYPE YELLOW
HALF SHIELDED 6P4C
1.27mm [.05"] Pitch**



DRAWING



RECOMMENDED PCB LAYOUT
VIEWED FROM COMPONENT

ORDERING INFORMATION

PRODUCT NO.: JM 5 6 4 1 1 - K001 - 4 F

- JM = SERIES PREFIX
- 5 = BODY & TERMINATION
- 6 = DESIGN TYPE
- 4 = POSITION TYPE
- 1 = NO. OF PORT
- 1 = GOLD PLATING THICKNESS
- K001 = EXTENSION DODE
- 4 = SOFT TRAY
- F = LEAD FREE