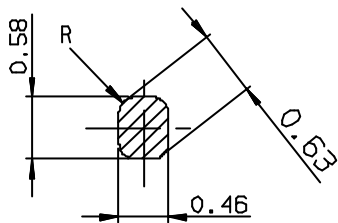
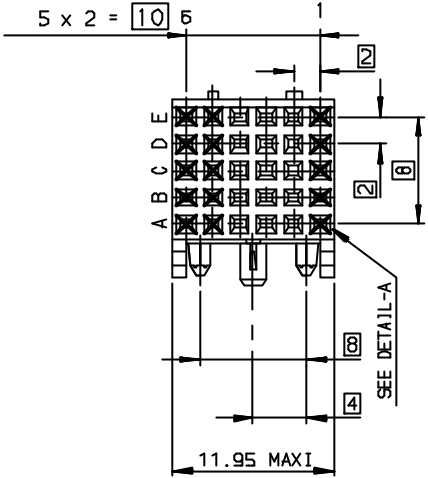
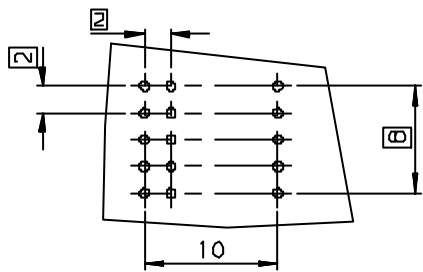


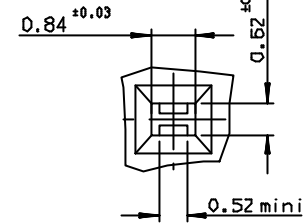
SECTION H



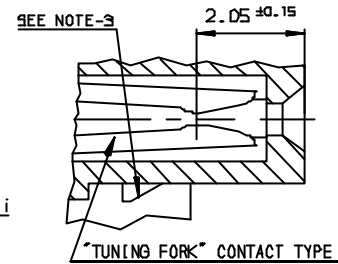
LAYOUT FOR P.C.B



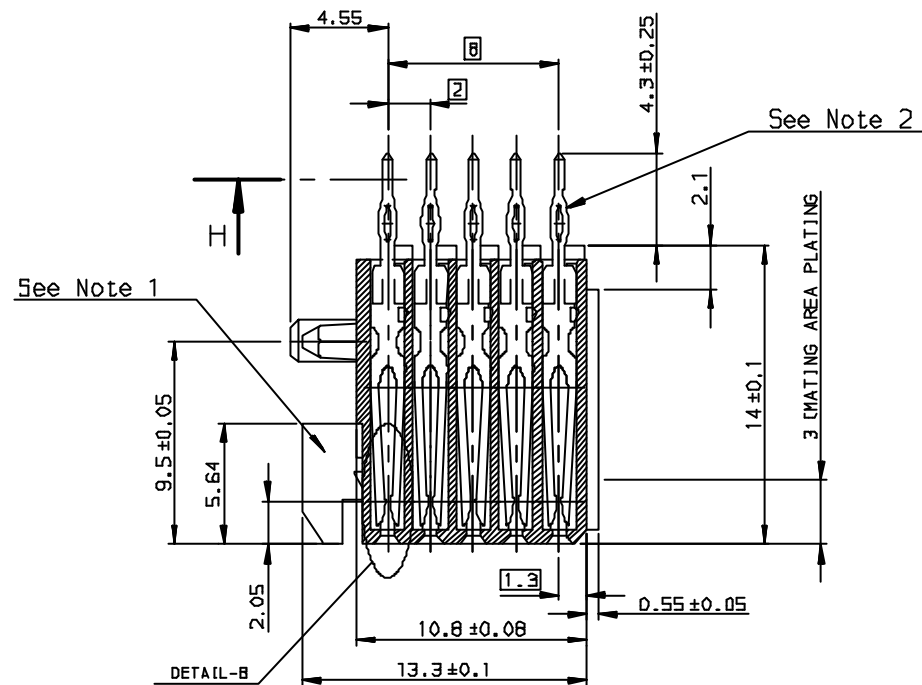
DETAIL-A



DETAIL-B



A-A (Scale 4)



TIN LEAD PART NUMBER

| | | |
|-----------------------------|---|----------------------|
| Part Number: HM1551RER311Hz | | |
| PERFORMANCE LEVEL | PL1 - REPLACE z BY 6 | PL3 - REPLACE z BY 4 |
| C"BP" TESTS OF IEC | PL2 - REPLACE z BY 5 | |
| Z = 8 | MATING PART PLATING : NICKEL + 1.25 µ GOLD MINIMUM | |

LEAD-FREE PART NUMBER

| | | |
|-------------------------------|---|----------------------|
| Part Number: HM1551RER311HzLF | | |
| PERFORMANCE LEVEL | PL1 - REPLACE z BY 6 | PL3 - REPLACE z BY 4 |
| C"BP" TESTS OF IEC | PL2 - REPLACE z BY 5 | |
| Z = 8 | MATING PART PLATING : NICKEL + 1.25 µ GOLD MINIMUM | |

SPECIFIC DATAS

- No contact in rows 2,3,4

- NOTE-1. PLUG FOR CODING KEY FIXING
- NOTE-2. EYE OF THE NEEDLE PRESS-FIT CTS TYPE
- NOTE-3. FLAT ROCK INSERTION TOOLING IN PCB, HM15069 AND HM15066
- NOTE-4. METALIZED HOLE DEFINITION, SEE DRW REF: C01-8626-000P

(REDUCED SCALE SHEET)

GENERAL CHARACTERISTICS AND ROHS INFORMATIONS:
SEE DRAWING C-8626-000P

European Views

| | | | | | |
|---------------------------------------|-----------|-----------------------|-----------------------------------|------------------|-----------------|
| www.fciconnect.com | | surface ISO 1302 ✓ | tolerance std ISO 406 ISO 1101 | projection mm | mm |
| TOLERANCES UNLESS OTHERWISE SPECIFIED | | | | | |
| Dr | CHAİLLEUX | 1999/03/01 | ANGULAR | LINEAR | mm |
| Eng | LENOIR | 1999/03/01 | 0.X | ±0.1 | size A3 |
| Chr | LEGARE | 1999/03/01 | 0.XX | ±0.1 | Scale 2.5 |
| Appr | LEGARE | 1999/03/01 | 0.XXX | ±0.1 | ECN L506-0095 |
| Product family | | | | METRAL | Spec ref - |
| MILLIPACS-1 FEMALE 5 ROW 15 WAYS | | | | | Rev. C |
| FLAT ROCK STRAIGHT PRESS FIT 4.30 | | | | | dwg C-8626-0952 |
| CUSTOMER | | | | | sheet 1 of 1 |

| REV | REV NO | DR | DATE |
|-----|-----------|-----|------------|
| A | - | - | - |
| B | L505-004 | NLE | 2005/02/21 |
| C | L506-0095 | LGO | 2006/07/14 |
| - | - | - | - |
| - | - | - | - |
| - | - | - | - |



Copyright FCI.