



Siemens Matsushita Components

# EMC

---

# Components

---

D Core Chokes  
B82734

Data Book Supplement

**Rated voltage 250 Vac/250 Vdc**

**Rated current 1,3 to 4,6 A**

**Rated inductance 3,3 to 47 mH**

**Construction**

- Current-compensated double choke with closed, rectangular ferrite core
- Closed polycarbonate coil former with 4 sections
- Without encapsulation
- 2-section winding
- Creepage distances and clearances > 3 mm



Vertical version

**Features**

- Coil former flame-retardant as per UL 94 V-0
- Recycleable owing to omission of encapsulation and glue
- High resonance frequency due to 2-section winding
- Low leakage due to closed core shape
- High pulse strength
- Low whirring noise
- Approx. 1 % stray inductance for symmetrical interference suppression



Horizontal version

**Applications**

- Switch-mode power supplies for TV sets, washing machines
- Power supplies


**Terminals**

- Pins 0,7 × 0,7 mm
- Lead spacing 15 × 12,5 mm

**Marking**

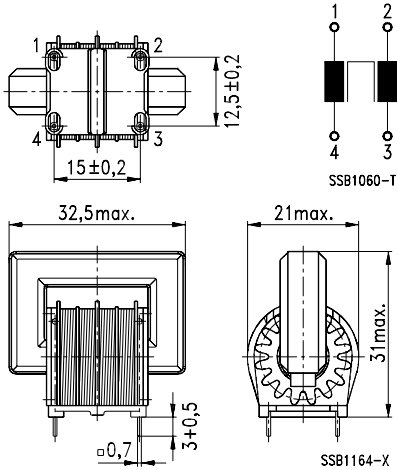
Ordering code, rated current, rated inductance, mark of conformity, manufacturer, date code

**Approvals**

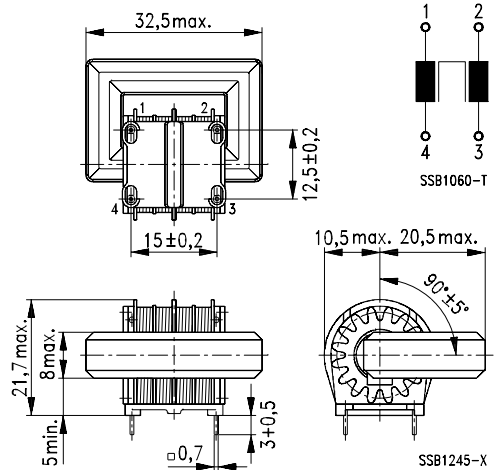
Marks of conformity	Standards	
	vertical version	horizontal version
	EN 138 100	EN 138 100 (pending)
	UL 1283	UL 1283 (pending)

**Outline drawing and pin configuration**

vertical version



horizontal version



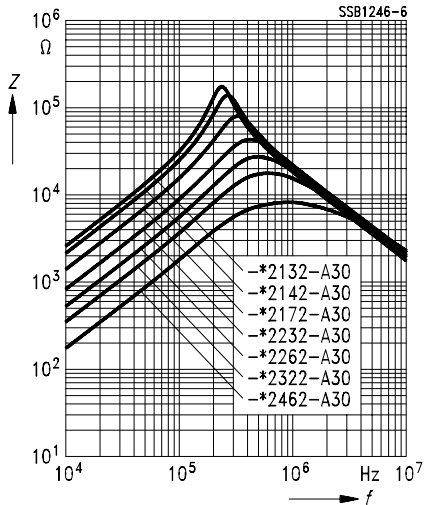
**Technical data**

Rated voltage $V_R$	250 Vac/250 Vdc
Test voltage $V_P$	1500 Vac, 2 s (line/line)
Rated current $I_R$	Referred to 50 Hz and 40 °C ambient temperature
Inductance tolerance	- 30/+ 50 %
Weight	Approx. 30 g

For further details refer to data book "EMC Components" 1996, page 179.

**Characteristics and ordering codes**

$I_R$ A	$L_R$ mH	$L_{Stray, typ}$ $\mu$ H	$R_{typ}$ m $\Omega$	Ordering code	
				vertical version	horizontal version
1,3	47	250	560	B82734-R2132-A30	B82734-W2132-A30
1,4	39	210	460	B82734-R2142-A30	B82734-W2142-A30
1,7	27	140	320	B82734-R2172-A30	B82734-W2172-A30
2,3	15	80	185	B82734-R2232-A30	B82734-W2232-A30
2,6	10	53	130	B82734-R2262-A30	B82734-W2262-A30
3,2	6,8	35	85	B82734-R2322-A30	B82734-W2322-A30
4,6	3,3	17	46	B82734-R2462-A30	B82734-W2462-A30

**Impedance  $Z$  versus frequency  $f$**   
(measured with windings in parallel)

**Published by Siemens Matsushita Components GmbH & Co. KG**  
**Marketing Kommunikation, Postfach 80 17 09, D-81617 München**

© Siemens Matsushita Components 1997. All Rights Reserved.

As far as patents or other rights of third parties are concerned, liability is only assumed for components per se, not for applications, processes and circuits implemented within components or assemblies.

The information describes the type of component and shall not be considered as assured characteristics.

Terms of delivery and rights to change design reserved.

This brochure replaces the previous edition.

For questions on technology, prices and delivery please contact the Sales Offices of Siemens AG, Passive Components and Electron Tubes Group, in the Federal Republic of Germany or the international Siemens Companies and Representatives.

Due to technical requirements components may contain dangerous substances. For information on the type in question please also contact one of our Sales Offices.