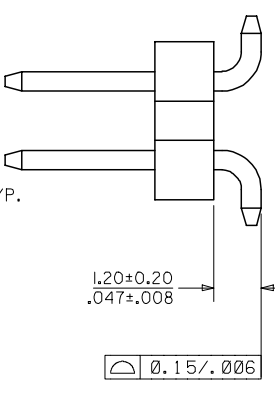
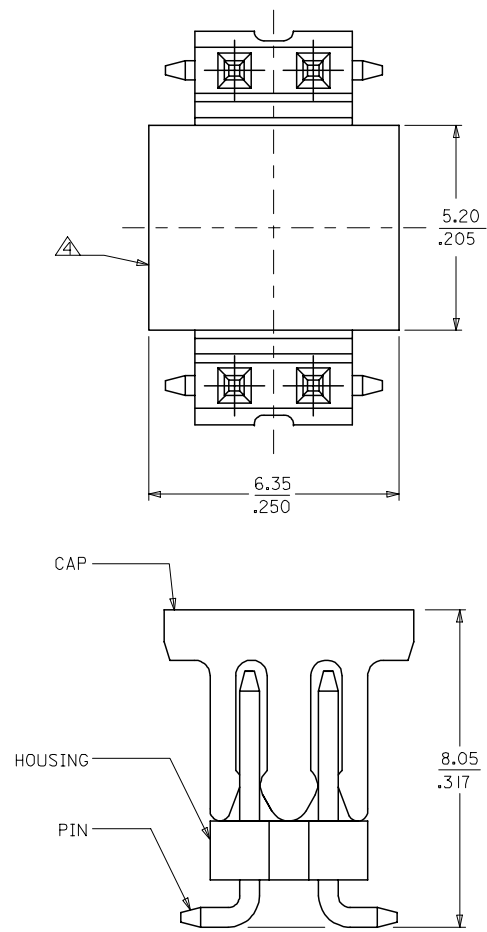


CKT SIZE	DIM A		DIM B	
	MM	INCH	MM	INCH
4	3.90	.154	2.00	.079
6	5.90	.232	4.00	.157
8	7.90	.311	6.00	.236
10	9.90	.390	8.00	.315
12	11.90	.468	10.00	.394
14	13.90	.547	12.00	.472
16	15.90	.626	14.00	.551
18	17.90	.705	16.00	.630
20	19.90	.783	18.00	.709
22	21.90	.862	20.00	.787
24	23.90	.941	22.00	.866
26	25.90	1.020	24.00	.945
28	27.90	1.098	26.00	1.024
30	29.90	1.177	28.00	1.102
32	31.90	1.256	30.00	1.181
34	33.90	1.334	32.00	1.260
36	35.90	1.413	34.00	1.338
38	37.90	1.492	36.00	1.417
40	39.90	1.571	38.00	1.496
42	41.90	1.650	40.00	1.575
44	43.90	1.728	42.00	1.653
46	45.90	1.807	44.00	1.732
48	47.90	1.886	46.00	1.811
50	49.90	1.965	48.00	1.890



- NOTES :**
- FOR ILLUSTRATION PURPOSES, DRAWING SHOWS PART WITH 10 CIRCUIT SIZE.
 - MATERIAL: HOUSING & CAP: NYLON 4/6 GLASS FILLED, UL 94V-0, SUITABLE FOR SURFACE-MOUNT SOLDERING PROCESS. COLOR BLACK
PINS: 0.50MM SQ. PHOSPHOR BRONZE
 - PLATING: 0.38um/15uin MIN. GOLD PLATE AT CONTACT AREA AND 1.90um/75uin MIN. TIN/LEAD PLATE AT SOLDER TAIL, BOTH OVER 1.27um/50uin MIN. NICKEL UNDERPLATE.
 - POSITION OF CAP TO BE LOCATED AT CENTER OF DIMENSION 'A' REGARDLESS OF CIRCUIT SIZE.
 - TOP SURFACE OF CAP TO BE FLAT FOR THE PURPOSE OF PICK-&-PLACE BY VACUUM SUCTION NOZZLE.
 - ASSEMBLY PART TO BE PACKAGED IN TUBE OR TAPE & REEL, SEE SHEET 2, 3 & 4 FOR PART NUMBERS AND PACKAGING DETAILS.
 - PRODUCT SPECIFICATION PS-87049 APPLIES.
 - PART TO BE PACKED IN TRAY ONLY.



RECOMMENDED SOLDER PAD DESIGN

UPDATE REVISION EC NO: S2005-0714 DRWN:KSEE CHKD:RHLW APPR:PTLM 2005/10/19 2005/10/19 2005/10/28	QUALITY SYMBOLS ▽=0 ▽=0	GENERAL TOLERANCES (UNLESS SPECIFIED)		DIMENSION STYLE		SCALE	DESIGN UNITS	THIRD ANGLE PROJECTION			
				MM/IN		NTS	METRIC				
				mm	INCH	DRAWN BY DATE		TITLE			
				ANGULAR ±---°		JWAN 1994/04/24		SALES DRAWING			
		4 PLACES ±--- ±---		CHECKED BY DATE		MGRID, 2MM DUAL ROW HDR. SMT					
		3 PLACES ±--- ±.008		SKTOH 1994/04/26		MOLEX INCORPORATED					
		2 PLACES ±0.2 ±---		APPROVED BY DATE		SD-87267-***4					
		1 PLACE ±--- ±---		ROY 1994/04/27		SHEET NO. 1 OF 4					
		DRAFT WHERE APPLICABLE MUST REMAIN WITHIN DIMENSIONS		MATERIAL NO. SEE TABLE		DOCUMENT NO. SD-87267-***4					
				SIZE A3		THIS DRAWING CONTAINS INFORMATION THAT IS PROPRIETARY TO MOLEX INCORPORATED AND SHOULD NOT BE USED WITHOUT WRITTEN PERMISSION					

	10	9	8	7	6	5	4	3	2	1	
	CKT SIZE	ASSY No.		ASSY No.	ASSY No.	DIM "Bo"	DIM "F"	DIM "So"	DIM "W"	EMBOSSED TYPE	T&R QUANTITY PER REEL
F	4	87267-04 14 \triangle		87267-04 64	87267-0474	5.40	11.50	-	24.00	C	500
	6	87267-06 14		87267-06 64	NA	NA	NA	NA	NA	NA	NA
	8	87267-08 14		87267-08 64	87267-08 74	NA	NA	NA	NA	NA	NA
	10	87267-10 14		87267-10 64	87267-10 74	10.20	11.50	-	24.00	A	500
	12	87267-12 14		87267-12 64	87267-12 74	NA	NA	-	NA	NA	NA
	14	87267-14 14		87267-14 64	87267-14 74	14.20	11.50	-	24.00	A	600
	16	87267-16 14		87267-16 64	87267-16 74	16.20	14.20	28.40	32.00	B	550
	18	87267-18 14		87267-18 64	87267-18 74	NA	NA	NA	NA	NA	NA
E	20	87267-20 14		87267-20 64	87267-20 74	20.20	14.20	28.40	32.00	B	500
	22	87267-22 14		87267-22 64	87267-22 74	NA	NA	NA	NA	NA	NA
	24	87267-24 14		87267-24 64	87267-24 74	24.20	20.20	40.40	44.00	B	600
	26	87267-26 14		87267-26 64	87267-26 74	NA	NA	NA	NA	NA	NA
	28	87267-28 14		87267-28 64	87267-28 74	NA	NA	NA	NA	NA	NA
	30	87267-30 14		87267-30 64	87267-30 74	30.20	20.20	40.40	44.00	B	600
	32	87267-32 14		87267-32 64	87267-32 74	NA	NA	NA	NA	NA	NA
	34	87267-34 14		87267-34 64	87267-34 74	NA	NA	NA	NA	NA	NA
	36	87267-36 14		87267-36 64	87267-36 74	NA	NA	NA	NA	NA	NA
D	38	87267-38 14		87267-38 64	87267-38 74	NA	NA	NA	NA	NA	NA
	40	87267-40 14		87267-40 64	87267-40 74	40.20	26.20	52.40	56.00	B	650
	42	87267-42 14		87267-42 64	NA	NA	NA	NA	NA	NA	NA
	44	87267-44 14		87267-44 64	NA	NA	NA	NA	NA	NA	NA
	46	87267-46 14		87267-46 64	NA	NA	NA	NA	NA	NA	NA
	48	87267-48 14		87267-48 64	NA	NA	NA	NA	NA	NA	NA
	50	87267-50 14		87267-50 64	NA	NA	NA	NA	NA	NA	NA

ASSY PART NUMBER LEGEND :

87267 - * * * 4
 CKT SIZE

— CAP & PACKAGING OPTION

1 -- WITHOUT CAP WITH TUBE PACKAGING (EXCEPT FOR 4 CKT, SEE NOTE 8)

6 -- WITH CAP WITH TUBE PACKAGING

7 -- WITH CAP WITH TAPE & REEL PACKAGING

UPDATE REVISION EC NO: S2005-0714 2005/10/19 DRWN:SEE 2005/10/19 CHKD:BLW 2005/10/28 APPR:PTL:IM	DESCRIPTION REV	QUALITY SYMBOLS $\nabla=0$ $\triangle=0$	GENERAL TOLERANCES (UNLESS SPECIFIED)		DIMENSION STYLE MM/IN		SCALE NTS	DESIGN UNITS METRIC	C A THIRD ANGLE PROJECTION	
			4 PLACES \pm --- \pm --- 3 PLACES \pm --- \pm .008 2 PLACES \pm 0.2 \pm --- 1 PLACE \pm --- \pm --- ANGULAR \pm ---°	DRAWN BY JWAN DATE 1995/04/24	TITLE SALES DRAWING MGRID, 2MM DUAL ROW HDR. SMT					
			DRAFT WHERE APPLICABLE MUST REMAIN WITHIN DIMENSIONS	CHECKED BY SKTOH DATE 1995/04/26	MOLEX INCORPORATED					
		A7	MATERIAL NO. SEE TABLE	APPROVED BY ROY DATE 1995/04/27	DOCUMENT NO. SD-87267-***4	SHEET NO. 2 OF 4				

10 9 8 7 6 5 4 3 2 1

F

E

D

C

B

A

F

E

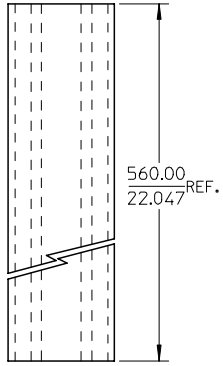
D

C

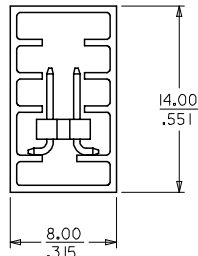
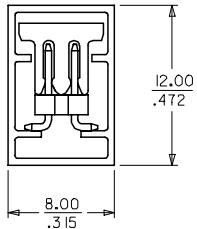
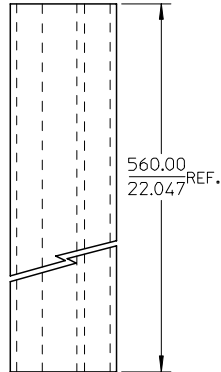
B

A

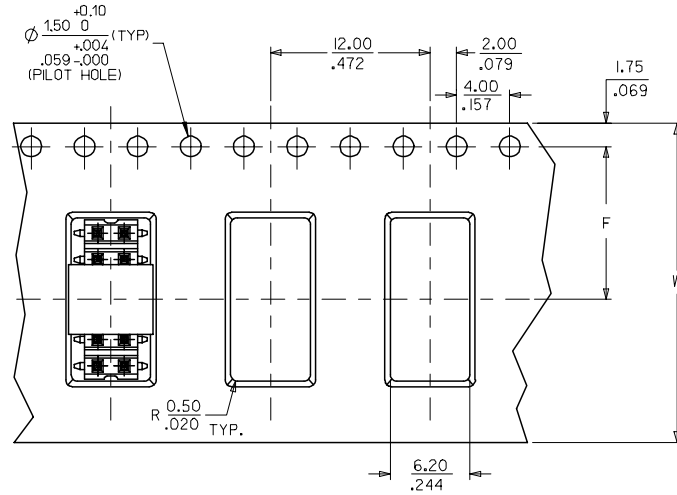
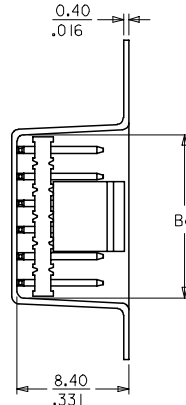
WITH CAP
TUBE PACKAGING



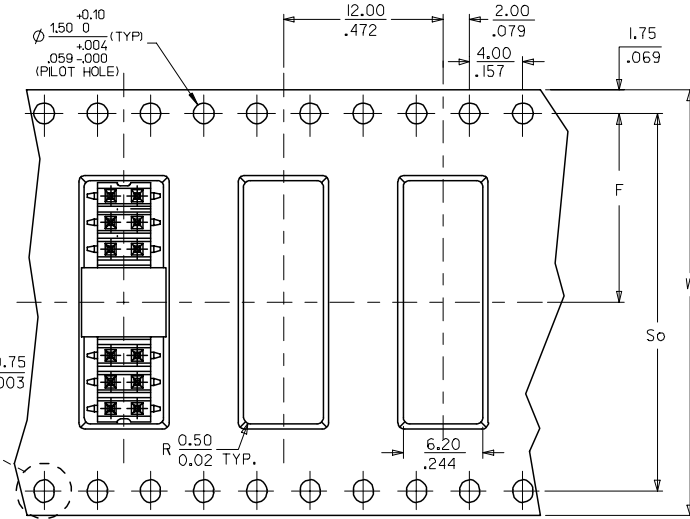
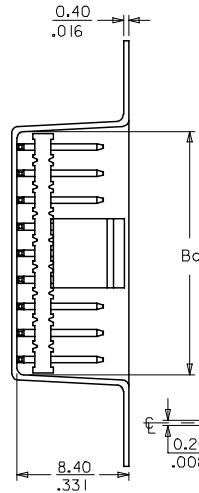
WITHOUT CAP
TUBE PACKAGING



EMBOSSED CARRIER TAPE TYPE "A"



EMBOSSED CARRIER TAPE TYPE "B"



UPDATE REVISION	DESCRIPTION
EC NO: S2005-0714	2005/10/19
DRWN:KSEE	2005/10/19
CHKD:BLHOW	2005/10/19
APPR:PTLIM	2005/10/28
A7	REV

QUALITY SYMBOLS	▽=0
	∇=0

GENERAL TOLERANCES (UNLESS SPECIFIED)	
mm	INCH
4 PLACES ±---	±---
3 PLACES ±---	±.008
2 PLACES ±0.2	±---
1 PLACE ±---	±---
ANGULAR ±---°	
DRAFT WHERE APPLICABLE MUST REMAIN WITHIN DIMENSIONS	

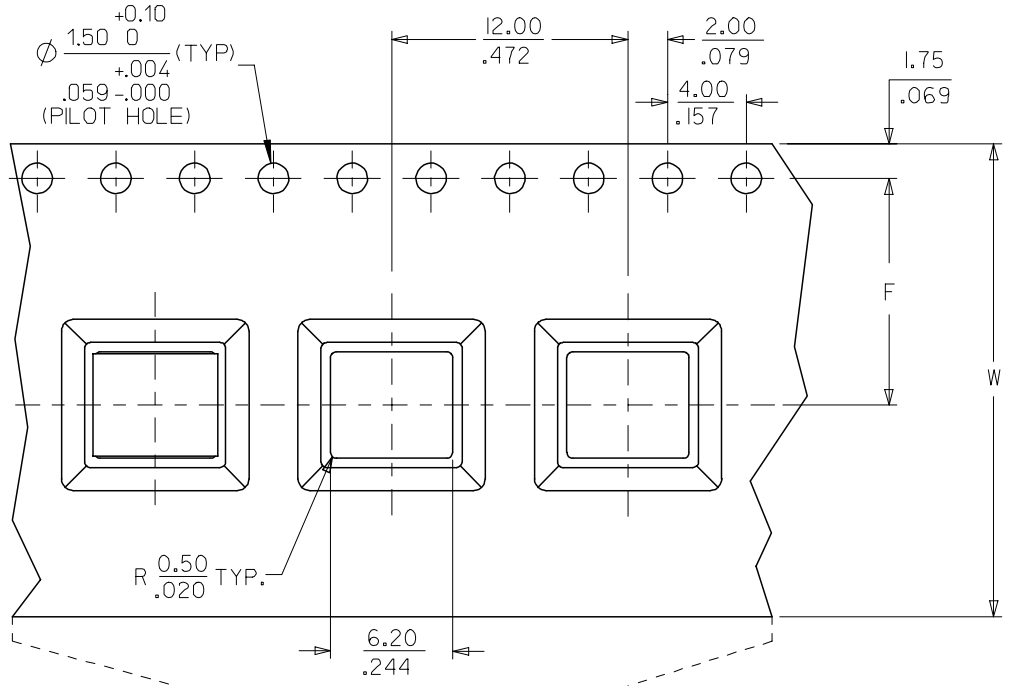
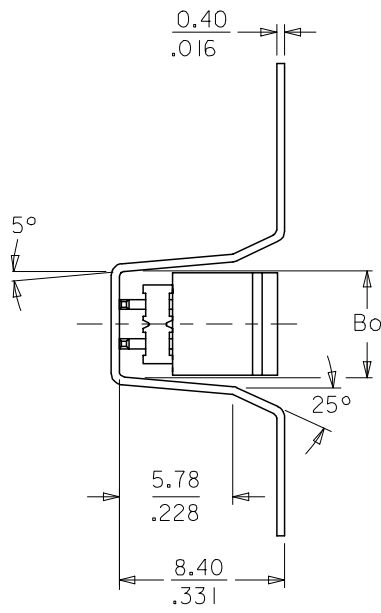
DIMENSION STYLE	
MM/IN	
DRAWN BY	DATE
JWAN	1995/04/24
CHECKED BY	DATE
SKTOH	1995/04/26
APPROVED BY	DATE
ROY	1995/04/27
MATERIAL NO.	DOCUMENT NO.
SEE TABLE	SD-87267-***4
SIZE	A3

SCALE	DESIGN UNITS	THIRD ANGLE PROJECTION
NTS	METRIC	
SALES DRAWING		
MGRID, 2MM DUAL ROW HDR. SMT		
MOLEX INCORPORATED		
SHEET NO.		3 OF 4
THIS DRAWING CONTAINS INFORMATION THAT IS PROPRIETARY TO MOLEX INCORPORATED AND SHOULD NOT BE USED WITHOUT WRITTEN PERMISSION		

9 8 7 6 5 4 3 2 1

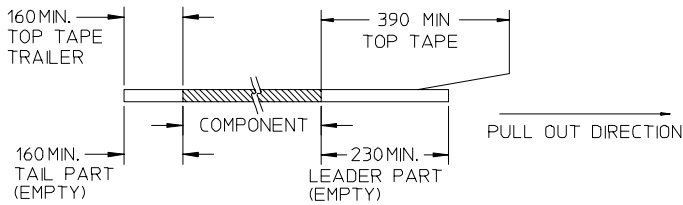
EMBOSSED CARRIER TAPE TYPE "C"

THIS TYPE OF CARRIER IS F R CKTOSIZE 8 AND BELOW.

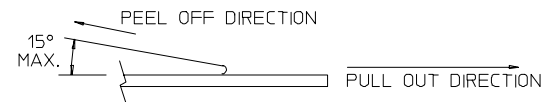


NOTES:

1. LEADER AND TRAILER TAPE

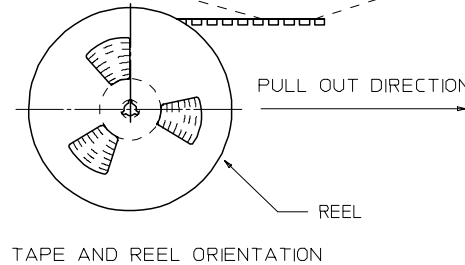


2. PEELING OFF FORCE OF THE TOP TAPE: 20-80gf.
(PEELING DIRECTION AS SHOWN IN FOLLOWING FIGURE)



3. PACKAGING STANDARD IS AS PER EIA-481.

4. TAPE & REEL QUANTITY = SEE TABLE



ADD LEADER & TRAILER EC NO: S2005-0714 DRWN:KSEE CHKD:BLW APPR:PTL/IM 2005/10/19 2005/10/19 2005/11/05	QUALITY SYMBOLS	GENERAL TOLERANCES (UNLESS SPECIFIED)	DIMENSION STYLE	SCALE	DESIGN UNITS	THIRD ANGLE PROJECTION
	$\nabla=0$ $\sphericalangle=0$	mm INCH 4 PLACES ± --- ± --- 3 PLACES ± --- ± .008 2 PLACES ± 0.2 ± --- 1 PLACE ± --- ± --- ANGULAR ± ---°	MM/IN	NTS	METRIC	
	DESCRIPTION	DRAFT WHERE APPLICABLE MUST REMAIN WITHIN DIMENSIONS	DRAWN BY DATE	TITLE		
	REV		SEE	SALES DRAWING		
A7			1995/09/12	MGRID, 2MM DUAL ROW HDR. SMT		
			1995/11/03	MOLEX INCORPORATED		
			1995/11/03	SD-87267-***4		
			SEE TABLE	4 OF 4		
			THIS DRAWING CONTAINS INFORMATION THAT IS PROPRIETARY TO MOLEX INCORPORATED AND SHOULD NOT BE USED WITHOUT WRITTEN PERMISSION			