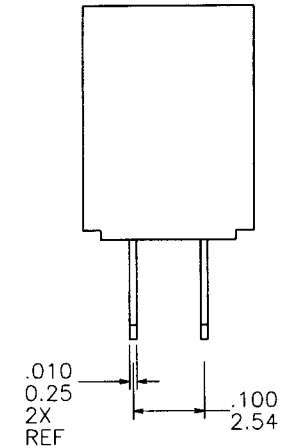
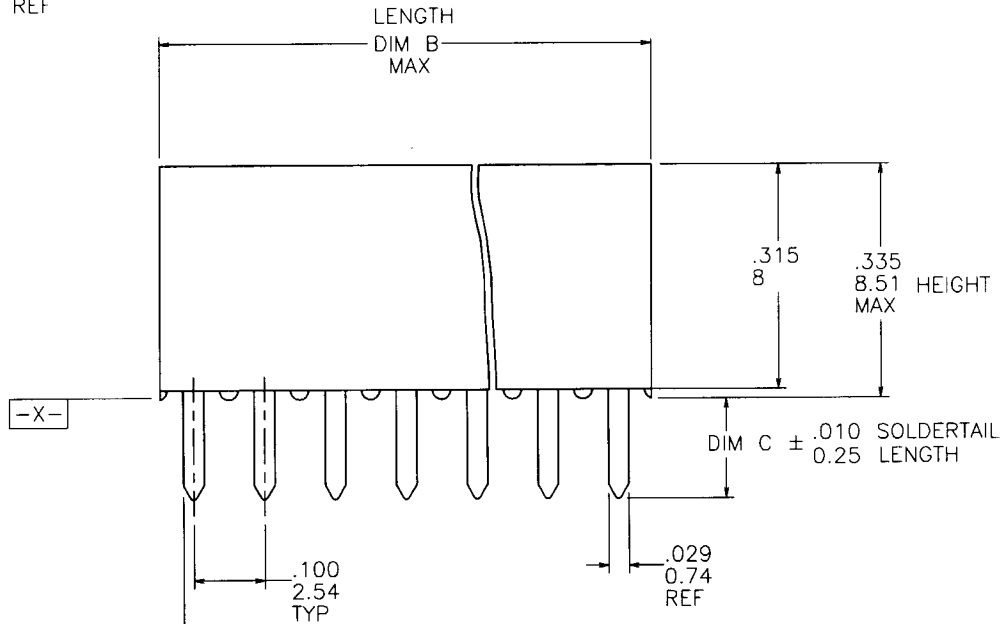
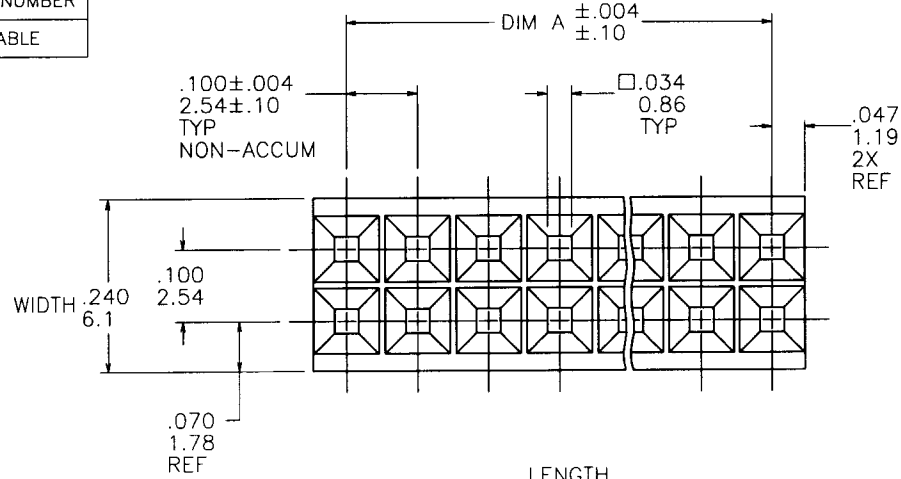


Tous droits strictement reserves. Reproduction ou communication a des tiers interdite sous quelque forme que ce soit sans autorisation ecrite du proprietaire. Propriete de c FCI. Droits de reproduction FCI.

All rights strictly reserved. Reproduction or issue to third parties in any form whatever is not permitted without written authority from the proprietor. Property of FCI. Copyright FCI.



PRODUCT NUMBER  
SEE TABLE



$\perp$  .005/.13 X  
TYP

mat'l. code NOTE 1 & 2				tolerances unless otherwise specified		CUSTOMER COPY	Electronics www.fciconnect.com	
ltr	ecn no	dr	date	linear	.XX ±.01/.X±.3	projection	title	
J	V23246	MRC	10/16/92		.XXX ±.005/.XX±.13		VERT. CARD CONNECTOR	
K	V23802	JM	12/4/92	angles	.XXX ±.0020/.XXX±.051		.100/2.54 CTR. DBL ROW	
L	V40387	MSC	3/25/94		0° ±2°		product family CARD CONN.	
M	V41061	SAR	7/7/94	dr	M. CLOUSER	3/25/94	size	sheet
N	V41514	LSS	11/15/94	engr	H. SUNDY	3/25/94		
P	V70080	MDF	2/27/97	chr	H. SUNDY	3/25/94	scale	
R	V94468	MDF	1/11/00	appd	H. SUNDY	3/25/94	4:1	
sheet	revision	R	R	R	R	R	cage code	
index	sheet	1	2	3	4	5	22526	

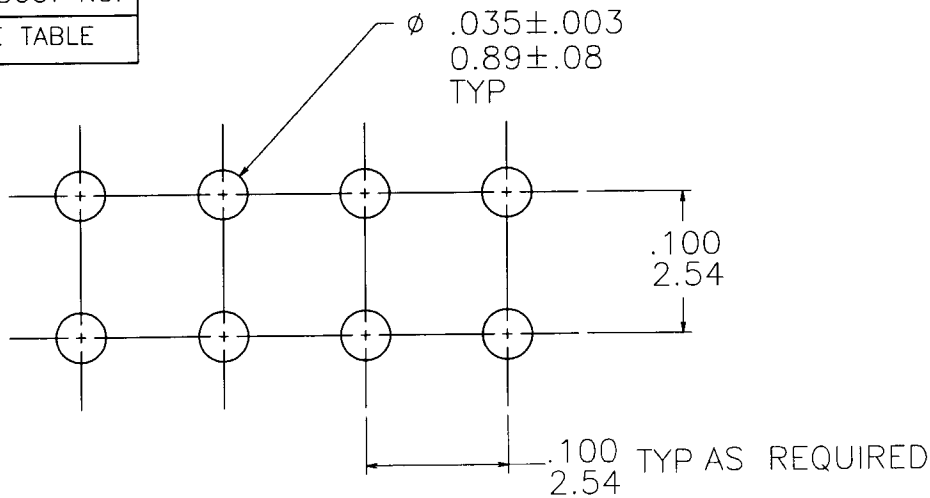
ACAD

Tous droits strictement réservés. Reproduction ou communication e des tiers interdite sous quelque forme que ce soit sans autorisation écrite du propriétaire. Propriété de c FCI. Droits de reproduction FCI.

All rights strictly reserved. Reproduction or issue to third parties in any form whatever is not permitted without written authority from the proprietor. Property of FCI. Copyright FCI.



PRODUCT NO.  
SEE TABLE



RECOMMENDED HOLE PATTERN  
SCALE 4:1

NOTES:

- HOUSING MAT'L: FILLED POLYESTER.  
FLAME RETARDANT PER UL 94V-0.  
COLOR: BLACK.
- TERMINAL MATERIAL AND PLATING: SEE TABULATION.
- RECOMMENDED PIN SIZE: .025±.001/.64±.03 SQUARE.  
RECOMMENDED PIN LENGTH: .210±.020/5.33±.51.
- MARKING: "FCI", FCI PART NUMBER AND DATE CODE. PARTS 2 X 8 OR LESS HAVE THIS INFORMATION ON TUBE LABEL INSTEAD OF HOUSING. DASH NUMBER WITH "U" AS FOURTH DIGIT (XXXXX-XXXU) IS UNMARKED.

mat'l. code NOTE 1 & 2		tolerances unless otherwise specified		CUSTOMER COPY		Electronics www.fciconnect.com	
ltr	ecn no	dr	date	linear	projection	title	
R				.XX ±.01/.X±.3 .XXX ±.005/.XX±.13 .XXX ±.0020/.XXX±.051		VERT. CARD CONNECTOR, .100/2.54 CTR., DOUBLE ROW	
				angles	INCH/MM	product family	code
				dr	←	CARD CONN.	213
				enr	→	size	sheet
				chr	scale	65781	2 of
				appd	2:1		
sheet	revision						
index	sheet						

cage code  
22526

PRODUCT NUMBER	SIZE	DIM A	DIM B	MATERIAL AND PLATING	DIM C
65781-001				UNASSIGNED	
-002	2X2	.100 / 2.54	.200 / 5.08	BODY MAT'L: BRASS BODY PLATING: 40u"/1.02u MIN THICK C.I. GOLD INSIDE CONTACT AREA, 10u"/25u MIN ON REST OF TERMINAL BODY, OVER 50u"/ 1.27u MIN NICKEL SPRING MAT'L: BeCu HEAT TREATED SPRING PLATING: GOLD FLASH	.140/3.56
-003	2X3	.200 / 5.08	.300 / 7.62		
-004	2X4	.300 / 7.62	.400 / 10.16		
-005	2X5	.400 / 10.16	.500 / 12.70		
-006	2X6	.500 / 12.70	.600 / 15.24		
-007	2X7	.600 / 15.24	.700 / 17.78		
-008	2X8	.700 / 17.78	.800 / 20.32		
-009	2X9	.800 / 20.32	.900 / 22.86		
-010	2X10	.900 / 22.86	1.000 / 25.40		
-011	2X11	1.000 / 25.40	1.100 / 27.94		
-012	2X12	1.100 / 27.94	1.200 / 30.48		
-013	2X13	1.200 / 30.48	1.300 / 33.02		
-014	2X14	1.300 / 33.02	1.400 / 35.56		
-015	2X15	1.400 / 35.56	1.500 / 38.10		
-016	2X16	1.500 / 38.10	1.600 / 40.64		
-017	2X17	1.600 / 40.64	1.700 / 43.18		
-018	2X18	1.700 / 43.18	1.800 / 45.72		
-019	2X19	1.800 / 45.72	1.900 / 48.26		
-020	2X20	1.900 / 48.26	2.000 / 50.80		
-021	2X21	2.000 / 50.80	2.100 / 53.34		
-022	2X22	2.100 / 53.34	2.200 / 55.88		
-023	2X23	2.200 / 55.88	2.300 / 58.42		
-024	2X24	2.300 / 58.42	2.400 / 60.96		
-025	2X25	2.400 / 60.96	2.500 / 63.50		
-026	2X26	2.500 / 63.50	2.600 / 66.04		
-027	2X27	2.600 / 66.04	2.700 / 68.58		
-028	2X28	2.700 / 68.58	2.800 / 71.12		
-029	2X29	2.800 / 71.12	2.900 / 73.66		
-030	2X30	2.900 / 73.66	3.000 / 76.20		
-031	2X31	3.000 / 76.20	3.100 / 78.74		
-032	2X32	3.100 / 78.74	3.200 / 81.28		
-033	2X33	3.200 / 81.28	3.300 / 83.82		
-034	2X34	3.300 / 83.82	3.400 / 86.36		
-035	2X35	3.400 / 86.36	3.500 / 88.90		
65781-036	2X36	3.500 / 88.90	3.600 / 91.44		BODY MAT'L: BRASS BODY PLATING: 40u"/1.02u MIN THICK C.I. GOLD INSIDE CONTACT AREA, 10u"/25u MIN ON REST OF TERMINAL BODY, OVER 50u"/ 1.27u MIN NICKEL SPRING MAT'L: BeCu HEAT TREATED SPRING PLATING: GOLD FLASH

OBS

Tous droits strictement reserves. Reproduction ou communication a des tiers interdite sous quelque forme que ce soit sans autorisation écrite du propriétaire. Propriete de c FCI. Droits de reproduction FCI.

All rights strictly reserved. Reproduction or issue to third parties in any form whatever is not permitted without written authority from the proprietor. Property of FCI. Copyright FCI.



mat'l. code				tolerances unless otherwise specified		CUSTOMER COPY		Electronics <a href="http://www.fciconnect.com">www.fciconnect.com</a>	
ltr	ecn no	dr	date	linear	.XX ±.01/.XX±.13	projection INCH/MM scale 1:1	title		code
R				angles	.xxx ±.005/.xx±.13 .xxxx ±.0020/.xxx±.051 0° ±2°		VERT. CARD CONNECTOR, .100/2.54 CTR., DOUBLE ROW		
				dr	M. CLOUSER 3/25/94	product family		CARD CONN.	
				engr	H. SUNDY 3/25/94	size		dwg no	
				chr	H. SUNDY 3/25/94	A		65781	
				appd	H. SUNDY 3/25/94	sheet		3 of	
sheet index	revision sheet								

cage code 22526

PRODUCT NUMBER	SIZE	DIM A	DIM B	MATERIAL AND PLATING	DIM C
65781-037				UNASSIGNED	
-038	2X2	.100 / 2.54	.200 / 5.08	BRASS 100u"/2.54u THICK SN PLATE SPRING MAT'L: BeCu HEAT TREATED SPRING PLATING: 30u"/76u MIN ELECTROLESS TIN	.140/3.56
-039	2X3	.200 / 5.08	.300 / 7.62		
-040	2X4	.300 / 7.62	.400 / 10.16		
-041	2X5	.400 / 10.16	.500 / 12.70		
-042	2X6	.500 / 12.70	.600 / 15.24		
-043	2X7	.600 / 15.24	.700 / 17.78		
-044	2X8	.700 / 17.78	.800 / 20.32		
-045	2X9	.800 / 20.32	.900 / 22.86		
-046	2X10	.900 / 22.86	1.000 / 25.40		
-047	2X11	1.000 / 25.40	1.100 / 27.94		
-048	2X12	1.100 / 27.94	1.200 / 30.48		
-049	2X13	1.200 / 30.48	1.300 / 33.02		
-050	2X14	1.300 / 33.02	1.400 / 35.56		
-051	2X15	1.400 / 35.56	1.500 / 38.10		
-052	2X16	1.500 / 38.10	1.600 / 40.64		
-053	2X17	1.600 / 40.64	1.700 / 43.18		
-054	2X18	1.700 / 43.18	1.800 / 45.72		
-055	2X19	1.800 / 45.72	1.900 / 48.26		
-056	2X20	1.900 / 48.26	2.000 / 50.80		
-057	2X21	2.000 / 50.80	2.100 / 53.34		
-058	2X22	2.100 / 53.34	2.200 / 55.88		
-059	2X23	2.200 / 55.88	2.300 / 58.42		
-060	2X24	2.300 / 58.42	2.400 / 60.96		
-061	2X25	2.400 / 60.96	2.500 / 63.50		
-062	2X26	2.500 / 63.50	2.600 / 66.04		
-063	2X27	2.600 / 66.04	2.700 / 68.58		
-064	2X28	2.700 / 68.58	2.800 / 71.12		
-065	2X29	2.800 / 71.12	2.900 / 73.66		
-066	2X30	2.900 / 73.66	3.000 / 76.20		
-067	2X31	3.000 / 76.20	3.100 / 78.74		
-068	2X32	3.100 / 78.74	3.200 / 81.28	BRASS 100u"/2.54u THICK SN PLATE SPRING MAT'L: BeCu HEAT TREATED SPRING PLATING: 30u"/76u MIN ELECTROLESS TIN	
-069	2X33	3.200 / 81.28	3.300 / 83.82		
-070	2X34	3.300 / 83.82	3.400 / 86.36		
-071	2X35	3.400 / 86.36	3.500 / 88.90		
65781-072	2X36	3.500 / 88.90	3.600 / 91.44		.140/3.56

OBS

Tous droits strictement reserves. Reproduction ou communication a des tiers interdite sous quelque forme que ce soit sans autorisation ecrite du proprietaire. Property of FCI. Droits de reproduction FCI.

All rights strictly reserved. Reproduction or issue to third parties in any form whatever is not permitted without written authority from the proprietor. Property of FCI. Copyright FCI.



Electronics  
www.fciconnect.com


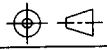
mat'l. code				tolerances unless otherwise specified		CUSTOMER COPY	projection	title
--				.XX ±.01/.X±.3				
ltr	ecn no	dr	date	linear	.XXX ±.005/.XX±.13	scale	CARD CONN.	
R				angles	.XXX ±.0020/.XXX±.051			1:1
				dr	0° ±2°	A	213	
				enr	M. CLOUSER 3/25/94			sheet
				chr	H. SUNDY 3/25/94	cage code	22526	
				appd	H. SUNDY 3/25/94			sheet
sheet index	revision sheet							

product family		CARD CONN.		code
size		dwg no		213
A		65781		sheet
				4 of
cage code		22526		

Tous droits strictement réservés. Reproduction ou communication à des tiers interdite sous quelque forme que ce soit sans autorisation écrite du propriétaire. Propriété de c FCI. Droits de reproduction FCI.

All rights strictly reserved. Reproduction or issue to third parties in any form whatever is not permitted without written authority from the proprietor. Property of FCI. Copyright FCI.

PRODUCT NUMBER	SIZE	DIM A	DIM B	MATERIAL AND PLATING	DIM C
65781-073				UNASSIGNED	
-074	2X2	.100 / 2.54	.200 / 5.08	BODY MAT'L: Cu Ni 10u"/.25u Au FLASH INSIDE BODY CONTACT AREA ONLY WITH .001/.03 MIN HIGH GOLD DOT. SPRING PLATING: GOLD FLASH SPRING MAT'L: BeCu HEAT TREAT	.140/3.56
-075	2X3	.200 / 5.08	.300 / 7.62		
-076	2X4	.300 / 7.62	.400 / 10.16		
-077	2X5	.400 / 10.16	.500 / 12.70		
-078	2X6	.500 / 12.70	.600 / 15.24		
-079	2X7	.600 / 15.24	.700 / 17.78		
-080	2X8	.700 / 17.78	.800 / 20.32		
-081	2X9	.800 / 20.32	.900 / 22.86		
-082	2X10	.900 / 22.86	1.000 / 25.40		
-083	2X11	1.000 / 25.40	1.100 / 27.94		
-084	2X12	1.100 / 27.94	1.200 / 30.48		
-085	2X13	1.200 / 30.48	1.300 / 33.02		
-086	2X14	1.300 / 33.02	1.400 / 35.56		
-087	2X15	1.400 / 35.56	1.500 / 38.10		
-088	2X16	1.500 / 38.10	1.600 / 40.64		
-089	2X17	1.600 / 40.64	1.700 / 43.18		
-090	2X18	1.700 / 43.18	1.800 / 45.72		
-091	2X19	1.800 / 45.72	1.900 / 48.26		
-092	2X20	1.900 / 48.26	2.000 / 50.80		
-093	2X21	2.000 / 50.80	2.100 / 53.34		
-094	2X22	2.100 / 53.34	2.200 / 55.88		
-095	2X23	2.200 / 55.88	2.300 / 58.42		
-096	2X24	2.300 / 58.42	2.400 / 60.96		
-097	2X25	2.400 / 60.96	2.500 / 63.50		
-098	2X26	2.500 / 63.50	2.600 / 66.04		
-099	2X27	2.600 / 66.04	2.700 / 68.58		
-100	2X28	2.700 / 68.58	2.800 / 71.12		
-101	2X29	2.800 / 71.12	2.900 / 73.66		
-102	2X30	2.900 / 73.66	3.000 / 76.20		
-103	2X31	3.000 / 76.20	3.100 / 78.74		
-104	2X32	3.100 / 78.74	3.200 / 81.28	BODY MAT'L: Cu Ni 10u"/.25u Au FLASH INSIDE BODY CONTACT AREA ONLY WITH .001/.03 MIN HIGH GOLD DOT. SPRING PLATING: GOLD FLASH SPRING MAT'L: BeCu HEAT TREAT	
-105	2X33	3.200 / 81.28	3.300 / 83.82		
-106	2X34	3.300 / 83.82	3.400 / 86.36		
-107	2X35	3.400 / 86.36	3.500 / 88.90		
65781-108	2X36	3.500 / 88.90	3.600 / 91.44		

mat'l. code		tolerances unless otherwise specified		CUSTOMER COPY		 <b>Electronics</b> www.fciconnect.com		
ltr	ecn no	dr	date	linear	.XX ±.01/.X±.3	projection	title	
R					.XXX ±.005/.XX±.13		VERT. CARD CONNECTOR,	
				angles	.xxx ±.0020/.xxx±.051		1.00/2.54 CTR., DOUBLE ROW	
				dr	M. CLOUSER 3/25/94	INCH/MM	product family	
				enr	H. SUNDY 3/25/94	scale	CARD CONN.	
				chr	H. SUNDY 3/25/94		1:1	code
				appd	H. SUNDY 3/25/94		A	213
sheet index	revision sheet						size	
							dwg no	
							65781	
							sheet	
							5 of	
							cage code	
							22526	

Tous droits strictement réservés. Reproduction ou communication à des tiers interdite sous quelque forme que ce soit sans autorisation écrite du propriétaire. Propriété de FCI. Droits de reproduction FCI.



All rights strictly reserved. Reproduction or issue to third parties in any form whatever is not permitted without written authority from the proprietor. Property of FCI. Copyright FCI.

PRODUCT NUMBER	SIZE	DIM A	DIM B	MATERIAL AND PLATING	DIM C
65781-149	2X5	.400/10.16	.500/12.70	BRASS 100u"/2.54u THICK SN PLATE SPRING MAT'L: BeCu HEAT TREATED SPRING PLATING: 30u"/76u MIN ELECTROLESS TIN	.115/2.92
65781-151	2X7	.600/15.24	.700/17.78		.115/2.92
65781-152	2X8	.700/17.78	.800/20.32		.115/2.92

mat'l. code --				tolerances unless otherwise specified		CUSTOMER COPY		Electronics FCI <a href="http://www.fciconnect.com">www.fciconnect.com</a>	
ltr	ecn no	dr	date	linear	.XX ±.01/.X±.3		projection 	title	
R					.XXX ±.005/.XX±.13			VERT. CARD CONNECTOR, .100/2.54 CTR., DOUBLE ROW	
					.XXX ±.0020/.XXX±.051			product family CARD CONN. code	
				angles	0° ±2°		INCH/MM 	size	
				dr	M. CLOUSER	3/25/94		dwg no	
				enr	H. SUNDY	3/25/94	A		213
				chr	H. SUNDY	3/25/94	scale		sheet
				appd	H. SUNDY	3/25/94	1:1		6 of
sheet index	revision sheet								

cage code  
22526

ACAD