

1.5A Low Dropout, Adjustable and Fixed Output Voltage Regulator

features

- Guaranteed 1.5A Output Current
- Adjustable Output Down To 1.2V
- Fixed Output Voltages 2.5V, 3.3V, 5.0V
- 1% and 2% Output Accuracy
- Low Dropout Voltage 1.1V typ.
- Extremely Tight Load and Line Regulation
- Current and Thermal Limiting
- Standard 3-Terminal Low Cost TO-220, TO-263 and TO-252
- Similar to Industry Standard LT1086/LT1586

applications

- Powering VGA and Sound Card
- PowerPC Supplies
- SMPS Post-Regulator
- High Efficiency "Green" Computer Systems
- High Efficiency Linear Power Supplies
- Portable Instrumentation
- Constant Current Regulators
- Adjustable Power Supplies
- Battery Charger

description

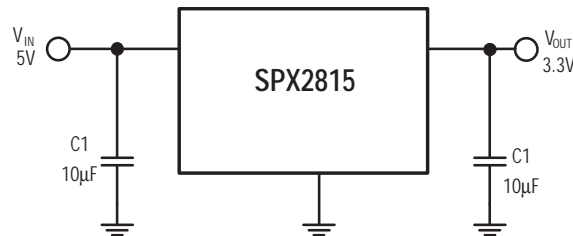
The SPX2815 is a low power 1.5A that is available in either an adjustable or fixed output voltage version. It requires only 2 external resistors to set the output voltage for the adjustable version. This device is an excellent choice for use in powering low voltage micro-processor that require a lower dropout voltages and faster transient or as a post regulator for switching supply applications. The SPX2815 has a very low quiescent current and a low dropout voltage of 1.2V at full load. The SPX2815 features over current limit and protection against over-current faults, reversed input polarity, reversed load insertion, and positive and negative voltage transients.

The SPX2815 is offered in industry standard 3-pin TO-220, TO-263 and TO-252 packages.

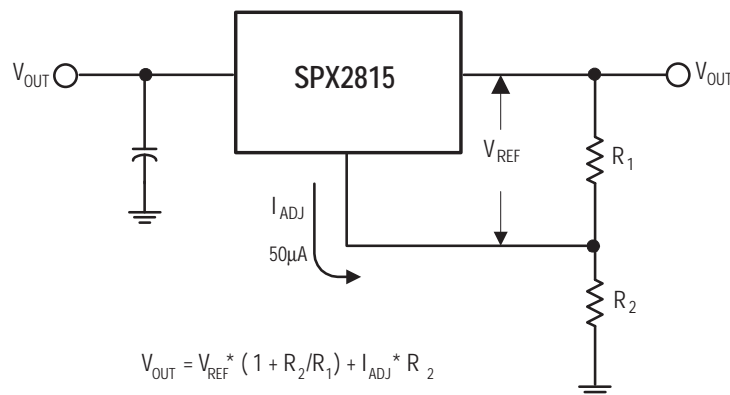
P

typical application circuits

Basic Fixed Regulator

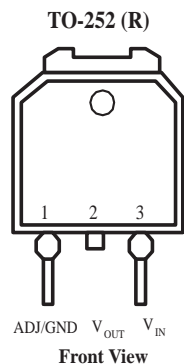
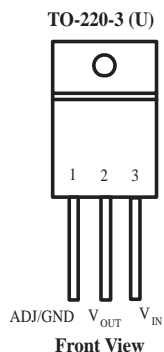
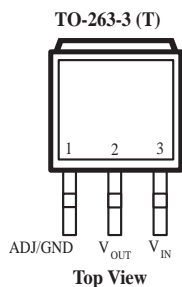


Basic Adjustable Regulator



SPX2815

packages



ordering information - Please consult the factory for pricing and availability on a Tape-On-Reel option.

P

Part Number	Accuracy	Output Voltage	Packages
SP2815AR	1%	Adj.	3 Pin TO-252
SP2815AR-2.5	1%	2.5V	3 Pin TO-252
SP2815AR-3.3	1%	3.3V	3 Pin TO-252
SP2815AR-5.0	1%	5.0V	3 Pin TO-252
SP2815AU	1%	Adj.	3 Pin TO-220
SP2815AU-2.5	1%	2.5V	3 Pin TO-220
SP2815AU-3.3	1%	3.3V	3 Pin TO-220
SP2815AU-5.0	1%	5.0V	3 Pin TO-220
SP2815AT	1%	Adj.	3 Pin TO-263
SP2815AT-2.5	1%	2.5V	3 Pin TO-263
SP2815AT-3.3	1%	3.3V	3 Pin TO-263
SP2815AT-5.0	1%	5.0V	3 Pin TO-263
SP2815R	1%	Adj.	3 Pin TO-252
SP2815R-2.5	1%	2.5V	3 Pin TO-252
SP2815R-3.3	1%	3.3V	3 Pin TO-252
SP2815R-5.0	1%	5.0V	3 Pin TO-252
SP2815U	1%	Adj.	3 Pin TO-220
SP2815U-2.5	1%	2.5V	3 Pin TO-220
SP2815U-3.3	1%	3.3V	3 Pin TO-220
SP2815U-5.0	1%	5.0V	3 Pin TO-220
SP2815T	1%	Adj.	3 Pin TO-263
SP2815T-2.5	1%	2.5V	3 Pin TO-263
SP2815T-3.3	1%	3.3V	3 Pin TO-263
SP2815T-5.0	1%	5.0V	3 Pin TO-263