

Part No.	Type	Nominal diameter	Withdraw. force	Rated current	Contact resistance
----------	------	------------------	-----------------	---------------	--------------------

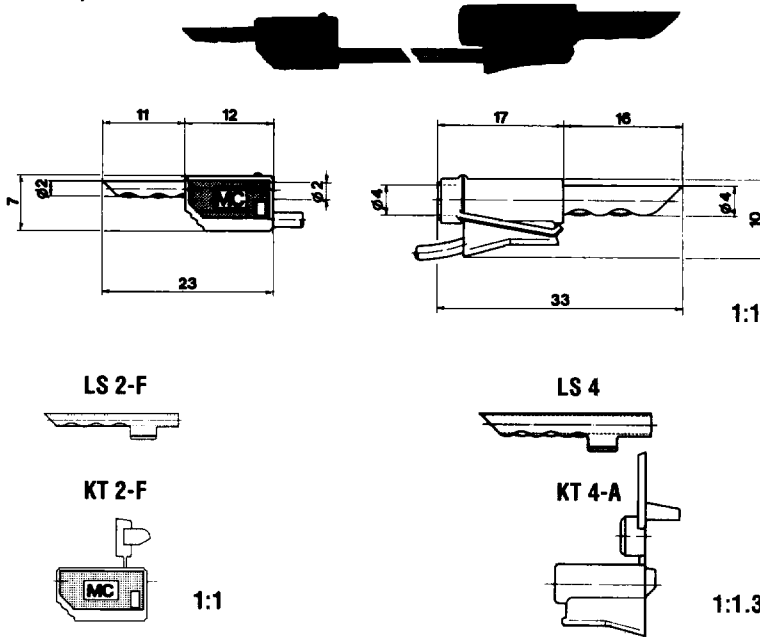
21.1500 (7.5 cm) **AK 2-F/4-A**

21.1510 (15 cm)

21.1520 (30 cm)

21.1530 (45 cm)

21.1540 (60 cm)



2 mm - 10 A -

Highly flexible adapter lead, one end hollow 2 mm (.080 in.) dia. plug, other end 4 mm (.160 in) dia. stacking hollow plug.

For operating temperature, see page 27.

Components and ratings:

- Plug LS 2-F # 22.1006
- Plug LS 4 # 22.1005
- Insulator (polyamide) KT 2-F # 22.2020
- Insulator (polyamide) KT 4-A # 22.2050
- Wire HK 0.5 PVC # 22.0010
- Operating temperature: -10°C to +70°C (14°F to 158)

Colors: • PVC: 0 - 9

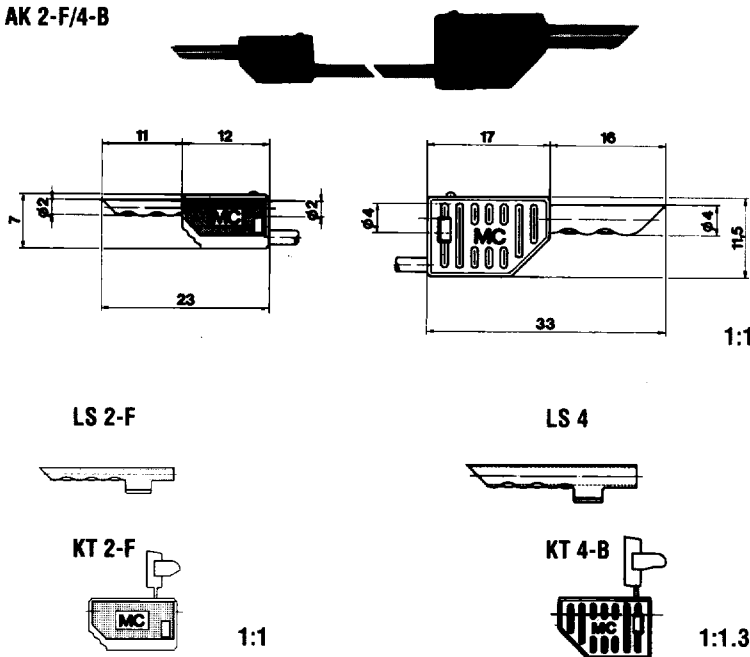
21.1600 (7.5 cm) **AK 2-F/4-B**

21.1610 (15 cm)

21.1620 (30 cm)

21.1630 (45 cm)

21.1640 (60 cm)



2 mm - 10 A -

Highly flexible adapter lead, one end hollow 2 mm (.080 in) dia. plug, other end 4 mm (.160 in) dia. stacking hollow plug.

For operating temperature, see page 27.

Components and ratings:

- Plug LS 2-F # 22.1006
- Plug LS 4 # 22.1005
- Insulator (polyamide) KT 2-F # 22.2020
- Insulator (polyamide) KT 4-B # 22.2060
- Wire HK 0.5 PVC # 22.0010
- Operating temperature: -10°C to +70°C (14°F to 158)

Colors: • PVC: 0 - 9

0 - green/yellow 1 - red 2 - blue 3 - white 4 - black 5 - yellow 6 - green 7 - brown 8 - gray 9 - violet