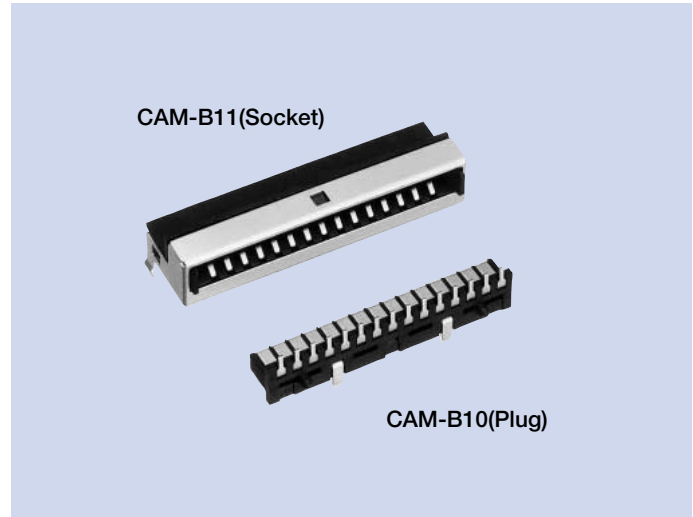


Detach Connectors CAM-B10, B11 Series

FEATURES

1. This connector allows for dismounting and remounting of the front panel of car audio equipment mainly to prevent burglary. It is also suitable to the circuit connection between various electronic units.
2. A fitting positioning guide provided on socket side can absorb the play when fitting.
3. Socket connector which can be mounted directly on the main circuit board reduces the cost of the connector proper. Anti-static metal cover provided.



HOW TO ORDER

1. CAM-B10 Series (Plug)

B10-015-05 0-B G G A H
 1 2 3 4 5 6 7 8 9

- 1 Series No. (B10)
- 2 No. of contacts (015 : 15pins)
- 3 Housing Material (05 : 46 Nylon)
- 4 Housing UL grade (0 : UL94V-0)
- 5 Contact finish
(B : Contacts/Gold plating, Read pin/Solder plating)
- 6 Contact pin plating thickness (G : 0.3μm)
- 7 Contact read style (A : Straight, G : Angle SMT)
- 8 Socket accessories (A : Non, M : Shielded case)
- 9 Plug accessories (A : Non, H : Wing)

2. CAM-B11 Series (Socket)

B11-012-02 0-B G A M A
 1 2 3 4 5 6 7 8 9

- 1 Series No. (B11)
- 2 No. of contacts (015 : 15pins)
- 3 Housing Material (02 : PBT resin)
- 4 UL grade (0 : UL94V-0)
- 5 Contact finish
(B : Contacts/Gold plating, Reads/Solder plating)
- 6 Contact pin plating thickness (G : 0.3μm)
- 7 Contact read style (A : Straight, G : Angle SMT)
- 8 Socket accessories (A Non, M : Shielded case)
- 9 Plug accessories (A : Non, H : Wing)

SPECIFICATIONS

ELECTRICAL CHARACTERISTICS

Rated Voltage	14V DC
Rated Current	1A
Withstanding Voltage	500V AC (rms) 1minute
Insulation Resistance	100MΩ min. (at 500V DC)
Contact Resistance	50mΩ max.

MECHANICAL CHARACTERISTICS

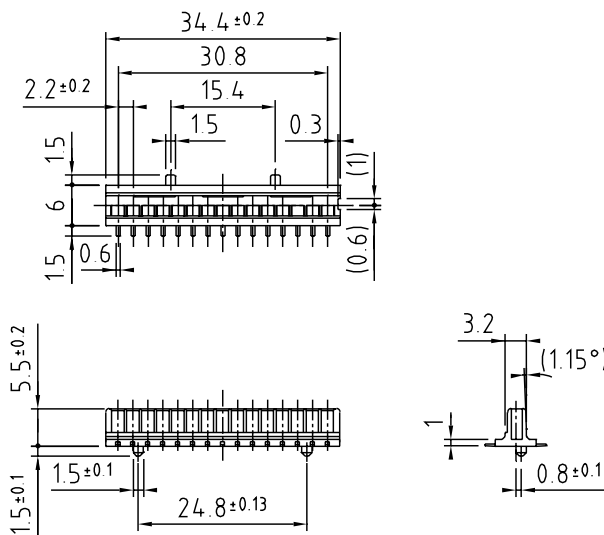
Life (Matching Cycle)	10,000 times
Total Insertion Force	11.8N (1.2kgf) max.
Total Withdrawal Force	2~49N (0.2~5kgf)
Using Temperature Range	-20~+80°C

MATERIAL & FINISH

Component parts		Material	Finish
CAM-B10	Housing	46 Nylon	—
	Contact	Copper Alloy	Gold selective plating
	Wing	Copper Alloy	Solder plating
CAM-B11	Housing	PBT resin	—
	Contact	Copper Alloy	Gold selective plating
	Cover	Copper Alloy	Tin reflow plating

DIMENSIONS

CAM-B10 Series (Plug)



CAM-B11 Series (Socket)

