

**Features**

- **Fast Read Access Time - 55ns**
- **Automatic Page Write Operation**  
Internal Address and Data Latches for 32 Bytes  
Internal Control Timer
- **Fast Write Cycle Times**  
Maximum Page Write Cycle Time: 2ms  
1 to 32 Byte Page Write Operation
- **Low Power Dissipation**  
80mA Active Current  
100µA CMOS Standby Current (28HC64L)
- **Direct Microprocessor Control**  
DATA Polling
- **High Reliability CMOS Technology**  
Endurance: 10<sup>4</sup> or 10<sup>5</sup> Cycles  
Data Retention: 10 years
- **Single 5V ± 10% Supply**
- **CMOS and TTL Compatible Inputs and Outputs**
- **JEDEC Approved Byte-Wide Pinout**
- **Full Military, Commercial, and Industrial Temperature Ranges**

**64K (8K x 8)  
High Speed  
CMOS  
E<sup>2</sup>PROM**

**Description**

The AT28HC64/L is a high-speed, low-power Electrically Erasable and Programmable Read Only Memory. Its 64k of memory is organized as 8,192 words by 8 bits. Manufactured with Atmel's advanced non-volatile CMOS technology, the device offers access times to 55ns with power dissipation of just 440mW. When the device is deselected the standby current is less than 100µA.

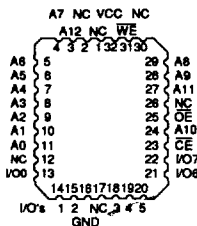
The AT28HC64/L is accessed like a Static RAM for the read or write cycles without the need for external components. The device contains a 32-byte page register to allow writing of up to 32 bytes simultaneously. During a write cycle, the addresses and 1 to 32 bytes of data are internally latched, freeing the address and data bus for other operations. Following the initiation of a write cycle, the device will automatically write the latched data using an internal control timer. The end of a write cycle can be detected by DATA polling of I/O7. Once the end of a write cycle has been detected a new access for a read or write can begin.

Atmel's 28HC64/L has additional features to ensure high quality and manufacturability. The device utilizes internal error correction for extended endurance and improved data retention characteristics. The AT28HC64/L also includes an extra 32 bytes of E<sup>2</sup>PROM for device identification or tracking.

**Pin Configurations**



Pin Name	Function
A0 - A12	Addresses
CE	Chip Enable
OE	Output Enable
WE	Write Enable
I/O0 - I/O7	Data Inputs/Outputs
NC	No Connect

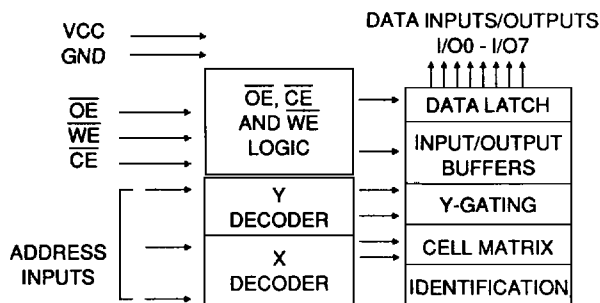


Note: PLCC package pins 1 and 17 are DON'T CONNECT.





## Block Diagram



## Operating Modes

Mode	$\overline{CE}$	$\overline{OE}$	$\overline{WE}$	I/O
Read	V <sub>IL</sub>	V <sub>IL</sub>	V <sub>IH</sub>	DOUT
Write <sup>(2)</sup>	V <sub>IL</sub>	V <sub>IH</sub>	V <sub>IL</sub>	DIN
Standby/Write Inhibit	V <sub>IH</sub>	X <sup>(1)</sup>	X	High Z
Write Inhibit	X	X	V <sub>IH</sub>	
Write Inhibit	X	V <sub>IL</sub>	X	
Output Disable	X	V <sub>IH</sub>	X	High Z
Chip Erase	V <sub>IL</sub>	V <sub>H</sub> <sup>(3)</sup>	V <sub>IL</sub>	High Z

Notes: 1. X can be V<sub>IL</sub> or V<sub>IH</sub>.

2. Refer to A.C. Programming Waveforms.

3. V<sub>H</sub> = 12.0V ± 0.5V.

## Device Operation

**READ:** The AT28HC64 is accessed like a Static RAM. When CE and OE are low and WE is high, the data stored at the memory location determined by the address pins is asserted on the outputs. The outputs are put in the high impedance state whenever CE or OE is high. This dual line control gives designers flexibility in preventing bus contention.

**WRITE:** A low pulse on the  $\overline{WE}$  or  $\overline{CE}$  input with  $\overline{CE}$  or  $\overline{WE}$  low (respectively) and OE high initiates a write cycle. The address is latched on the falling edge of CE or WE, whichever occurs last. The data is latched by the first rising edge of CE or WE. Once a byte write has been started it will automatically time itself to completion.

**PAGE WRITE MODE:** The page write operation of the AT28HC64 allows one to 32 bytes of data to be loaded into the device and then simultaneously written during the internal programming period. After the first data byte has been loaded, successive bytes may be loaded in the same manner. Each byte to be written must be loaded into the AT28HC64 within 150µs of the first byte. A5 to A12 determine the page address. The page address must be valid during each high to low transition of WE (or CE). A0 to A4 are used to specify which bytes within the page are to be written. All bytes to be written must share the same page address. The bytes may be loaded in any order and may be altered within the same load period. Only bytes which are specified for writing will be written; unnecessary cycling of other bytes within the page does not occur.

**DATA POLLING:** The AT28HC64 features DATA Polling to indicate the end of a write cycle. During a byte or page write cycle an attempted read of the last byte written will result in the complement of the written data on I/O7. Once the write cycle has been completed, true data is valid on all outputs, and the next cycle may begin. DATA Polling may begin at any time during the write cycle.

**DATA PROTECTION:** Hardware features protect against inadvertent writes to the AT28HC64 in the following ways: (a) Vcc sense— if Vcc is below 3.8V (typical) the write function is inhibited. (b) Vcc power on delay— once Vcc has reached 3.8V the device will automatically time out 5ms (typical) before allowing a write. (c) Write inhibit— holding any one of OE low, CE high or WE high inhibits write cycles. (d) Noise filter— pulses of less than 15ns (typical) on the WE or CE inputs will not initiate a write cycle.

**CHIP CLEAR:** The contents of the entire memory of the AT28HC64 may be set to the high state by the use of the CHIP CLEAR operation. By setting CE low and OE to 12 volts, the chip is cleared when a 10ms low pulse is applied to the WE pin.

**DEVICE IDENTIFICATION:** An extra 32 bytes of E<sup>2</sup>PROM memory are available to the user for device identification. By raising A9 to 12+/-0.5V and using address locations 1FE0H to 1FFFH the additional bytes may be written to or read from in the same manner as the regular memory array.

## Absolute Maximum Ratings\*

Temperature Under Bias.....	-55°C to +125°C
Storage Temperature.....	-65°C to +150°C
All Input Voltages (including N.C. Pins) with Respect to Ground .....	-0.6V to +6.25V
All Output Voltages with Respect to Ground .....	-0.6V to V <sub>CC</sub> +0.6V
Voltage on $\overline{OE}$ and A9 with Respect to Ground .....	-0.6V to +13.5V

\*NOTICE: Stresses beyond those listed under "Absolute Maximum Ratings" may cause permanent damage to the device. This is a stress rating only and functional operation of the device at these or any other conditions beyond those indicated in the operational sections of this specification is not implied. Exposure to absolute maximum rating conditions for extended periods may affect device reliability.

## D.C. and A.C. Operating Range

		AT28HC64-55	AT28HC64L-70	AT28HC64-70	AT28HC64-90 AT28HC64L-90	AT28HC64-12 AT28HC64L-12
Operating Temperature (Case)	Com.	0°C - 70°C	0°C - 70°C	0°C - 70°C	0°C - 70°C	0°C - 70°C
	Ind.	-40°C - 85°C	-40°C - 85°C	-40°C - 85°C	-40°C - 85°C	-40°C - 85°C
	Mil.			-55°C - 125°C	-55°C - 125°C	-55°C - 125°C
V <sub>CC</sub> Power Supply		5V±10%	5V±10%	5V±10%	5V±10%	5V±10%

## D.C. Characteristics

Symbol	Parameter	Condition	Min	Max	Units
I <sub>LI</sub>	Input Load Current	V <sub>IN</sub> =0V to V <sub>CC</sub> + 1V		10	μA
I <sub>LO</sub>	Output Leakage Current	V <sub>IO</sub> =0V to V <sub>CC</sub>		10	μA
I <sub>SB1</sub>	V <sub>CC</sub> Standby Current CMOS	$\overline{CE}$ =V <sub>CC</sub> -0.3V to V <sub>CC</sub> + 1V AT28HC64L	Com., Ind.	100	μA
			Mil.	200	μA
I <sub>SB2</sub>	V <sub>CC</sub> Standby Current TTL	$\overline{CE}$ =2.0V to V <sub>CC</sub> + 1V	AT28HC64L	3	mA
			AT28HC64	60	mA
I <sub>CC</sub>	V <sub>CC</sub> Active Current	f=10MHz; I <sub>OUT</sub> =0mA		80	mA
V <sub>IL</sub>	Input Low Voltage			0.8	V
V <sub>IH</sub>	Input High Voltage		2.0		V
V <sub>OL</sub>	Output Low Voltage	I <sub>OL</sub> =4mA		.4	V
V <sub>OH</sub>	Output High Voltage	I <sub>OH</sub> =-4.0mA	2.4		V

## Pin Capacitance (f=1MHz T=25°C) <sup>(5)</sup>

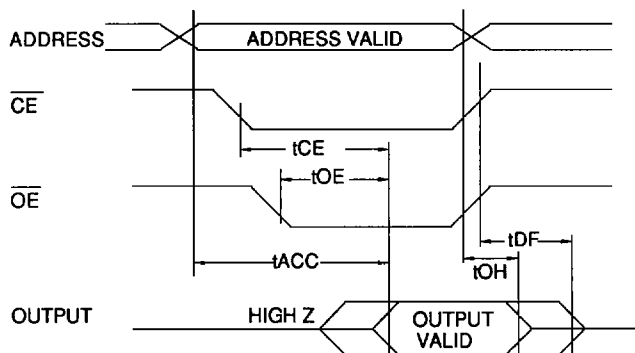
	Typ	Max	Units	Conditions
C <sub>IN</sub>	4	6	pF	V <sub>IN</sub> = 0V
C <sub>OUT</sub>	8	12	pF	V <sub>OUT</sub> = 0V



## A.C. Read Characteristics <sup>(1)</sup>

Symbol	Parameter	AT28HC64-55		AT28HC64-70		AT28HC64L-70		AT28HC64-90		AT28HC64L-90		AT28HC64L-12		Units
		Min	Max	Min	Max	Min	Max	Min	Max	Min	Max	Min	Max	
$t_{ACC}$	Address to Output Delay	55		70		70		90		90		120		ns
$t_{CE}^{(2)}$	$\overline{CE}$ to Output Delay	55		70		70		90		90		120		ns
$t_{OE}^{(3)}$	$\overline{OE}$ to Output Delay	0	30	0	35	0	35	0	40	0	40	0	50	ns
$t_{DF}^{(4,5)}$	$\overline{OE}$ to Output Float	0	30	0	35	0	35	0	40	0	40	0	50	ns
$t_{OH}$	Output Hold from $\overline{OE}$ , $\overline{CE}$ or Address, whichever occurred first	0		0		0		0		0		0		ns

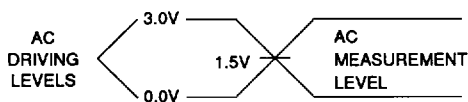
## A.C. Read Waveforms



### Notes:

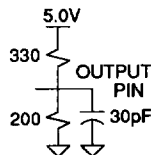
- $C_L = 30\text{pF}$ .
- $\overline{CE}$  may be delayed up to  $t_{ACC} - t_{CE}$  after the address transition without impact on  $t_{ACC}$ .
- $\overline{OE}$  may be delayed up to  $t_{CE} - t_{OE}$  after the falling edge of  $\overline{CE}$  without impact on  $t_{CE}$  or by  $t_{ACC} - t_{OE}$  after an address change without impact on  $t_{ACC}$ .
- $t_{DF}$  is specified from  $\overline{OE}$  or  $\overline{CE}$  whichever occurs first ( $C_L = 5\text{pF}$ ).
- This parameter is characterized and is not 100% tested.

## Input Test Waveforms and Measurement Level



$t_R, t_F < 5\text{ns}$

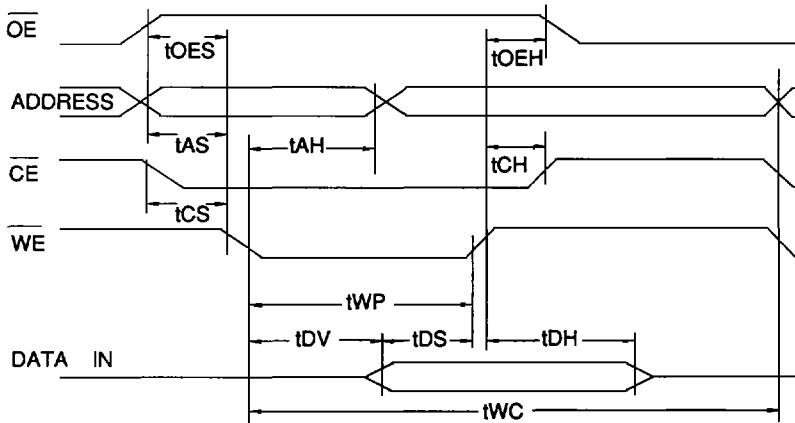
## Output Test Load



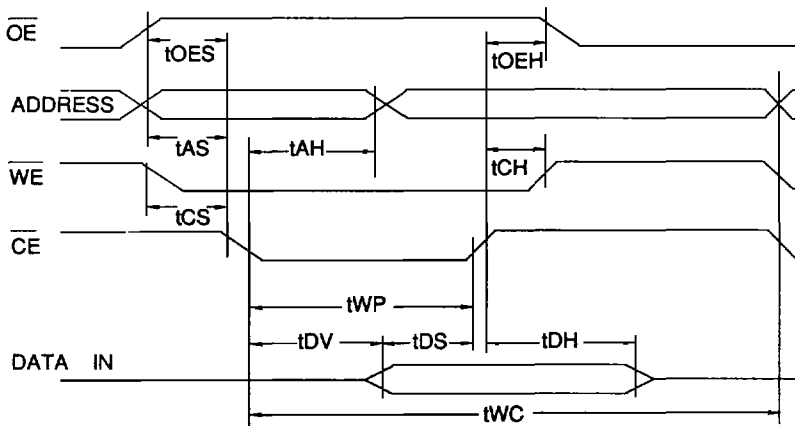
**A.C. Write Characteristics**

Symbol	Parameter	Min	Typ	Max	Units
tAS, tOES	Address, $\overline{OE}$ Set-up Time	0			ns
tAH	Address Hold Time	50			ns
tCS	Chip Select Set-up Time	0			ns
tCH	Chip Select Hold Time	0			ns
tWP	Write Pulse Width (WE or CE)	100		1000	ns
tDS	Data Set-up Time	50			ns
tDH, tOEH	Data, $\overline{OE}$ Hold Time	0			ns
tdv	Time to Data Valid			1	$\mu$ s
tWC	Write Cycle Time		1.0	2.0	ms

**A.C. Write Waveforms-  $\overline{WE}$  Controlled**



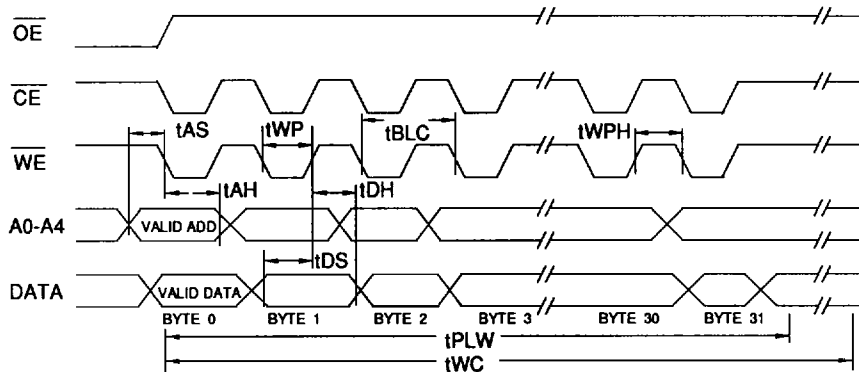
**A.C. Write Waveforms-  $\overline{CE}$  Controlled**



## Page Mode Write Characteristics

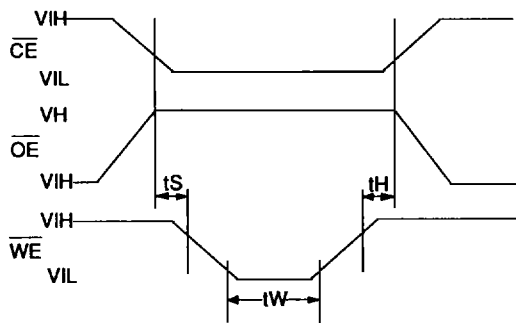
Symbol	Parameter	Min	Typ	Max	Units
t <sub>WC</sub>	Write Cycle Time		1	2.0	ms
t <sub>AS</sub>	Address Set-up Time	0			ns
t <sub>AH</sub>	Address Hold Time	50			ns
t <sub>DS</sub>	Data Set-up Time	50			ns
t <sub>DH</sub>	Data Hold Time	0			ns
t <sub>WP</sub>	Write Pulse Width	100		1000	ns
t <sub>BLC</sub>	Byte Load Cycle Time	150			ns
t <sub>PLW</sub>	Page Load Width			150	μs
t <sub>WPH</sub>	Write Pulse Width High	50			ns

## Page Mode Write Waveforms



Notes: A5 through A12 must specify the page address during each high to low transition of WE (or CE).  
 $\overline{OE}$  must be high only when  $\overline{WE}$  and  $\overline{CE}$  are both low.

## Chip Erase Waveforms



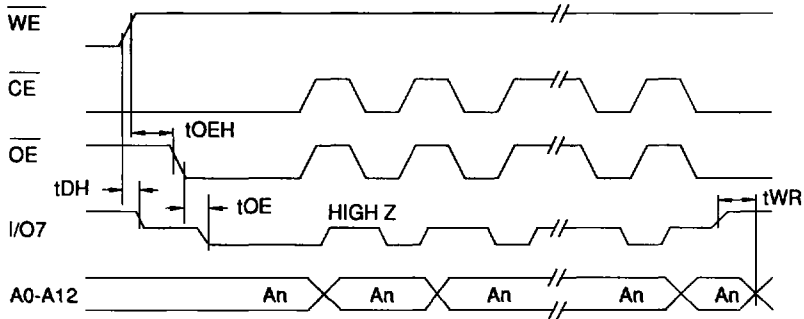
t<sub>S</sub> = t<sub>H</sub> = 1 μsec (min.)  
 t<sub>W</sub> = 10 msec (min.)  
 V<sub>H</sub> = 12.0V ± 0.5V

**Data Polling Characteristics<sup>(1)</sup>**

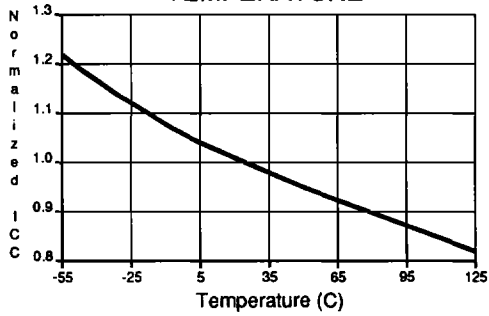
Symbol	Parameter	Min	Typ	Max	Units
t <sub>DH</sub>	Data Hold Time	0			ns
t <sub>OE</sub>	OE Hold Time	0			ns
t <sub>OE</sub>	OE to Output Delay			50	ns
t <sub>WR</sub>	Write Recovery Time	0			ns

Note: 1. These parameters are characterized and not 100% tested.

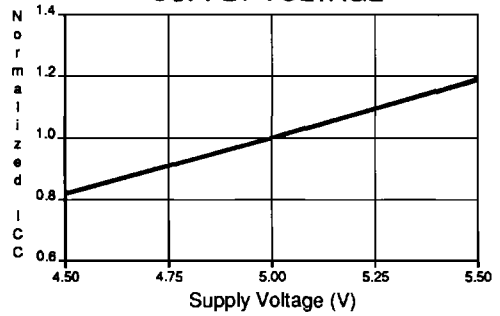
**Data Polling Waveforms**



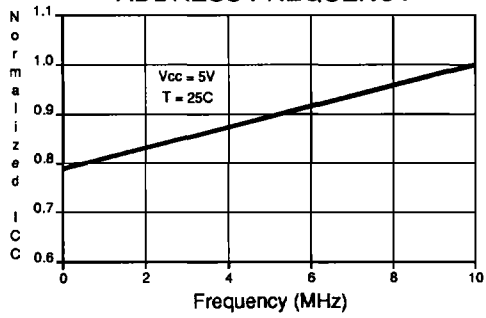
NORMALIZED SUPPLY CURRENT vs.  
TEMPERATURE



NORMALIZED SUPPLY CURRENT vs.  
SUPPLY VOLTAGE



NORMALIZED SUPPLY CURRENT vs.  
ADDRESS FREQUENCY





## Ordering Information

t <sub>acc</sub> (ns)	I <sub>cc</sub> (mA)		Ordering Code	Package	Operation Range
	Active	Standby			
55	80	60	AT28HC64(E)-55DC	28D6	Commercial (0°C to 70°C)
			AT28HC64(E)-55JC	32J	
			AT28HC64(E)-55LC	32L	
			AT28HC64(E)-55PC	28P6	
			AT28HC64(E)-55DI	28D6	Industrial (-40°C to 85°C)
			AT28HC64(E)-55JI	32J	
			AT28HC64(E)-55LI	32L	
			AT28HC64(E)-55PI	28P6	
70	80	60	AT28HC64(E)-70DC	28D6	Commercial (0°C to 70°C)
			AT28HC64(E)-70JC	32J	
			AT28HC64(E)-70LC	32L	
			AT28HC64(E)-70PC	28P6	
			AT28HC64(E)-70DI	28D6	Industrial (-40°C to 85°C)
			AT28HC64(E)-70JI	32J	
			AT28HC64(E)-70LI	32L	
			AT28HC64(E)-70PI	28P6	
			AT28HC64(E)-70DM	28D6	Military (-55°C to 125°C)
			AT28HC64(E)-70LM	32L	
			AT28HC64(E)-70DM/883	28D6	Military/883C Class B, Fully Compliant (-55°C to 125°C)
			AT28HC64(E)-70LM/883	32L	
90	80	60	AT28HC64(E)-90DC	28D6	Commercial (0°C to 70°C)
			AT28HC64(E)-90JC	32J	
			AT28HC64(E)-90LC	32L	
			AT28HC64(E)-90PC	28P6	
			AT28HC64(E)-90DI	28D6	Industrial (-40°C to 85°C)
			AT28HC64(E)-90JI	32J	
			AT28HC64(E)-90LI	32L	
			AT28HC64(E)-90PI	28P6	
			AT28HC64(E)-90DM	28D6	Military (-55°C to 125°C)
			AT28HC64(E)-90LM	32L	
			AT28HC64(E)-90DM/883	28D6	Military/883C Class B, Fully Compliant (-55°C to 125°C)
			AT28HC64(E)-90LM/883	32L	
120	80	60	AT28HC64(E)-12DC	28D6	Commercial (0°C to 70°C)
			AT28HC64(E)-12JC	32J	
			AT28HC64(E)-12LC	32L	
			AT28HC64(E)-12PC	28P6	
			AT28HC64(E)-12DI	28D6	Industrial (-40°C to 85°C)
			AT28HC64(E)-12JI	32J	
			AT28HC64(E)-12LI	32L	
			AT28HC64(E)-12PI	28P6	
			AT28HC64(E)-12DM	28D6	Military (-55°C to 125°C)
			AT28HC64(E)-12LM	32L	
			AT28HC64(E)-12DM/883	28D6	Military/883C Class B, Fully Compliant (-55°C to 125°C)
			AT28HC64(E)-12LM/883	32L	

2





## Ordering Information

Package Type	
<b>28D6</b>	<b>28 Lead, 0.600" Wide, Non-Windowed, Ceramic Dual Inline Package (Cerdip)</b>
<b>32J</b>	<b>32 Lead, Plastic J-Leaded Chip Carrier (PLCC)</b>
<b>32L</b>	<b>32 Pad, Non-Windowed, Ceramic Leadless Chip Carrier (LCC)</b>
<b>28P6</b>	<b>28 Lead, 0.600" Wide, Plastic Dual Inline Package (PDIP)</b>
Options	
<b>Blank</b>	<b>Standard Device: Endurance = 10K Write Cycles; Write Time = 2 ms</b>
<b>E</b>	<b>High Endurance Option: Endurance = 100K Write Cycles</b>

Ordering Information

t <sub>ACC</sub> (ns)	I <sub>CC</sub> (mA)		Ordering Code	Package	Operation Range
	Active	Standby			
70	80	0.1	AT28HC64L(E)-70DC AT28HC64L(E)-70JC AT28HC64L(E)-70LC AT28HC64L(E)-70PC	28D6 32J 32L 28P6	Commercial (0°C to 70°C)
			AT28HC64L(E)-70DI AT28HC64L(E)-70JI AT28HC64L(E)-70LI AT28HC64L(E)-70PI	28D6 32J 32L 28P6	Industrial (-40°C to 85°C)
90	80	0.1	AT28HC64L(E)-90DC AT28HC64L(E)-90JC AT28HC64L(E)-90LC AT28HC64L(E)-90PC	28D6 32J 32L 28P6	Commercial (0°C to 70°C)
			AT28HC64L(E)-90DI AT28HC64L(E)-90JI AT28HC64L(E)-90LI AT28HC64L(E)-90PI	28D6 32J 32L 28P6	Industrial (-40°C to 85°C)
90	80	0.2	AT28HC64L(E)-90DM AT28HC64L(E)-90LM	28D6 32L	Military (-55°C to 125°C)
			AT28HC64L(E)-90DM/883 AT28HC64L(E)-90LM/883	28D6 32L	Military/883C Class B, Fully Compliant (-55°C to 125°C)
120	80	0.1	AT28HC64L(E)-12DC AT28HC64L(E)-12JC AT28HC64L(E)-12LC AT28HC64L(E)-12PC AT28HC64L-W	28D6 32J 32L 28P6 DIE	Commercial (0°C to 70°C)
			AT28HC64L(E)-12DI AT28HC64L(E)-12JI AT28HC64L(E)-12LI AT28HC64L(E)-12PI	28D6 32J 32L 28P6	Industrial (-40°C to 85°C)
120	80	0.2	AT28HC64L(E)-12DM AT28HC64L(E)-12LM	28D6 32L	Military (-55°C to 125°C)
			AT28HC64L(E)-12DM/883 AT28HC64L(E)-12LM/883	28D6 32L	Military/883C Class B, Fully Compliant (-55°C to 125°C)
70	80	0.2	5962-87514 12 UX 5962-87514 12 XX 5962-87514 12 YX	32K 28D6 32L	Military/883C Class B, Fully Compliant (-55°C to 125°C)
90	80	0.2	5962-87514 11 UX 5962-87514 11 XX 5962-87514 11 YX	32K 28D6 32L	Military/883C Class B, Fully Compliant (-55°C to 125°C)
120	80	0.2	5962-87514 10 UX 5962-87514 10 XX 5962-87514 10 YX	32K 28D6 32L	Military/883C Class B, Fully Compliant (-55°C to 125°C)

2





## Ordering Information

Package Type	
<b>28D6</b>	28 Lead, 0.600" Wide, Non-Windowed, Ceramic Dual Inline Package (Cerdip)
<b>32J</b>	32 Lead, Plastic J-Leaded Chip Carrier (PLCC)
<b>32K</b>	32 Lead, Non-Windowed, Ceramic J-Leaded Chip Carrier (JLCC)
<b>32L</b>	32 Pad, Non-Windowed, Ceramic Leadless Chip Carrier (LCC)
<b>28P6</b>	28 Lead, 0.600" Wide, Plastic Dual Inline Package (PDIP)
<b>W</b>	Die
Options	
<b>Blank</b>	Standard Device: Endurance = 10K Write Cycles; Write Time = 2 ms
<b>E</b>	High Endurance Option: Endurance = 100K Write Cycles