

**molex** 2.54mm (.100") Pitch  
**QF 50™**  
**Shrouded Header**

Ribbon Cable  
 Connectors

**B**

**FEATURES AND SPECIFICATIONS**

**Features and Benefits**

- Sizes 10 to 50 circuits
- Tin plated on solder tail
- Center polarization
- Selective Gold plating options for contacts
- Complies with industry-standard DIN 41651
- Eject levers allow end-to-end stacking with or without strain relief with no loss of board space

**Reference Information**

Product Specification: PS-99020-0015  
 Packaging: Tray  
 Tooling Information: See pages B-34 to B-37  
 Mates With: 90635  
 Designed In: Millimeters

**Electrical**

Voltage: 250V  
 Current: 2.5A  
 Contact Resistance: 20mΩ max.  
 Dielectric Withstanding Voltage: 500V AC  
 Insulation Resistance: 1000 MΩ min.

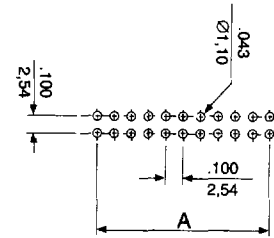
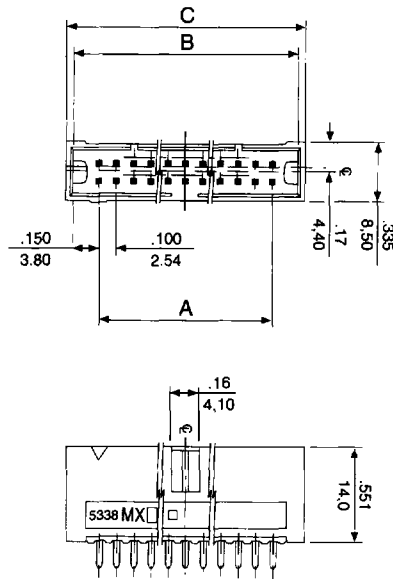
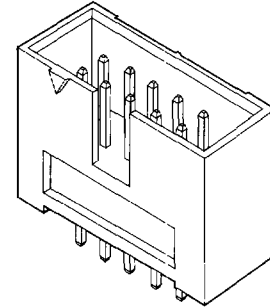
**Mechanical**

Pin Retention Force: 1.5kg (3.3 lb)  
 Mating Force: 350g (0.77 lb) max. per circuit  
 Unmating Force: 50g (0.11 lb) min. per circuit  
 Durability: 300 cycles max.

**Physical**

Housing: Glass-filled polyester, UL 94V-0  
 Contact: Copper Alloy  
 Contact Pin: 0.635mm (.025") square  
 Plating: See Table  
 Temperature: -25 to +85°C

**90571**  
**Vertical, Dual Row**  
**Non-Eject**



PCB LAYOUT

inch  
 mm

**ORDERING INFORMATION AND DIMENSIONS**

Circuits	Order No.				Dimension		
	Plating 1	Plating 2	Plating 3	Plating 4	A	B	C
10	90571-2101	90571-2102	90571-2103	90571-2109	10.16 (.400)	17.76 (.700)	19.66 (.774)
14	90571-2141	90571-2142	90571-2143	90571-2149	15.24 (.600)	22.84 (.900)	24.74 (.974)
16	90571-2161	90571-2162	90571-2163	90571-2169	17.78 (.700)	25.38 (1.000)	27.28 (1.074)
20	90571-2201	90571-2202	90571-2203	90571-2209	22.86 (.900)	30.46 (1.200)	32.36 (1.274)
26	90571-2261	90571-2262	90571-2263	90571-2269	30.48 (1.200)	38.08 (1.500)	39.98 (1.574)
30	90571-2301	90571-2302	90571-2303	90571-2309	35.56 (1.400)	43.16 (1.700)	45.06 (1.774)
34	90571-2341	90571-2342	90571-2343	90571-2349	40.64 (1.600)	48.24 (1.900)	50.14 (1.974)
40	90571-2401	90571-2402	90571-2403	90571-2409	48.26 (1.900)	55.86 (2.200)	57.76 (2.274)
50	90571-2501	90571-2502	90571-2503	90571-2509	60.96 (2.400)	68.56 (2.700)	70.46 (2.774)

Plating 1: 4μ" Gold in contact area, 118μ" Tin in solder area, 39μ" Nickel underplate  
 Plating 2: 30μ" Gold in contact area, 118μ" Tin in solder area, 39μ" Nickel underplate  
 Plating 3: 10μ" Gold in contact area, 118μ" Tin in solder area, 39μ" Nickel underplate  
 Plating 4: 40μ" Nickel under 39μ" Tin