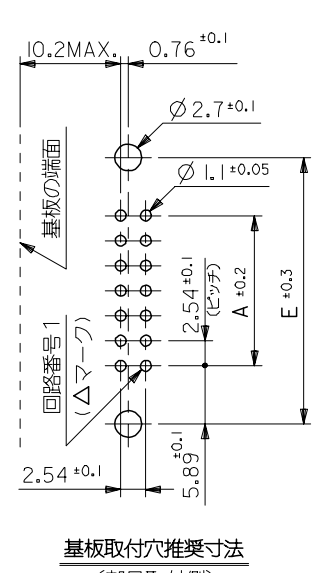
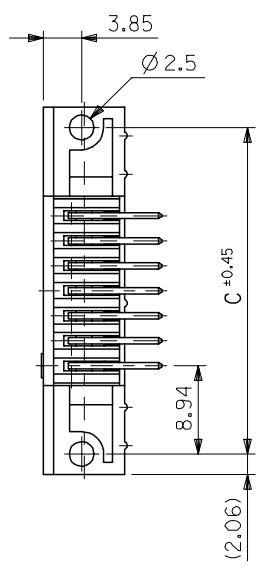
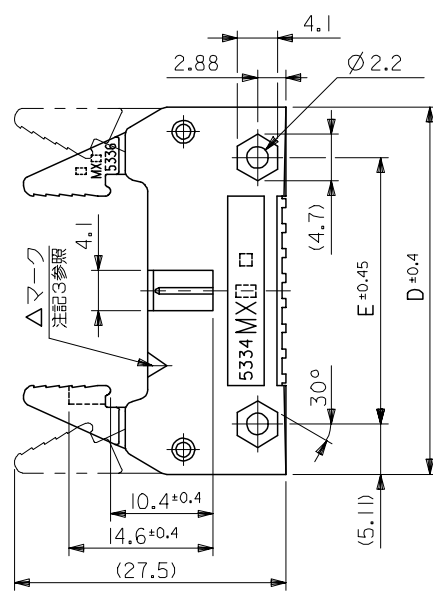
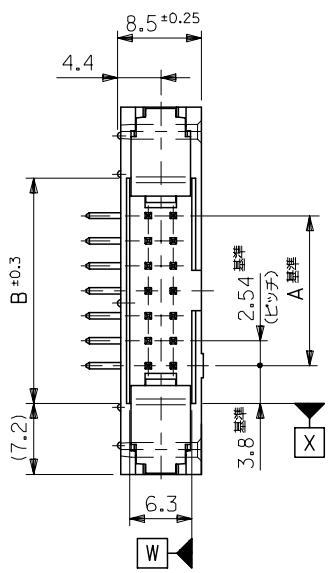
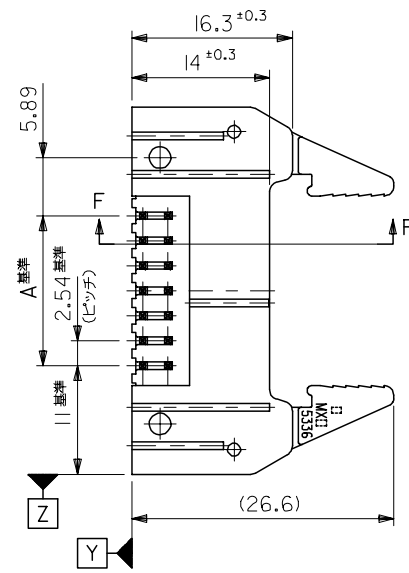
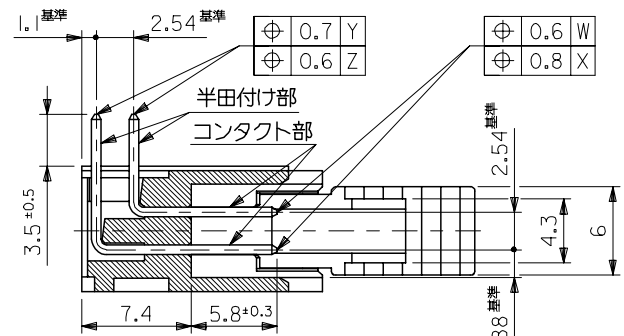


10 9 8 7 6 5 4 3 2 1



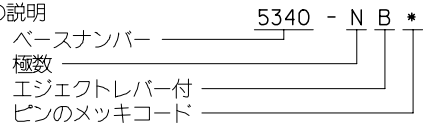
基板取付穴推奨寸法 (部品取付側)



SECT. F-F (SCALE 3-1)

注記

- 材料  
 ヘッダー&エジェクトレバー : ガラス繊維 15% 入り PBTP (UL94V-0), 黒色  
 ピン : 黄銅, サイズ □0.635  
 スプリングピン : 鋼製
- 嵌合相手 : 5320 シリーズ
- 使用符号の説明



コード	* Δマークの色	コンタクト部	半田付け部	下地メッキ
G2	橙	金 0.76 μm MIN.		ニッケル 1 μm MIN.
G3	緑	金 0.25 μm MIN.		
GS1	黄	金 0.1 μm MIN.	半田 3 μm MIN.	
GS2	茶	金 0.76 μm MIN.		
GS3	青	金 0.25 μm MIN.		
GS17F	黄	金 0.1 μm MIN.	錫 1 μm MIN.	
T2	黒		錫 1 μm MIN.	ニッケル 0.5 μm MIN.

LEAD FREE

60	73.66	81.26	91.54	95.66	85.44
50	60.96	68.56	78.84	82.96	72.74
40	48.26	55.86	66.14	70.26	60.04
34	40.64	48.24	58.52	62.64	52.42
30	35.56	43.16	53.44	57.56	47.34
26	30.48	38.08	48.36	52.48	42.26
20	22.86	30.46	40.74	44.86	34.64
16	17.78	25.38	35.66	39.78	29.56
14	15.24	22.84	33.12	37.24	27.02
10	10.16	17.76	28.04	32.16	21.94
極数	A 寸法	B 寸法	C 寸法	D 寸法	E 寸法

REVISED EC NO: J2005-2409 DRAWN: TAKEMOTO 2005/04/13 CHK'D: TANAKA 2005/04/14 APPR: NUKITA 2005/04/19	GENERAL TOLERANCES (UNLESS SPECIFIED)		DIMENSION STYLE MM ONLY		SCALE 2:1	DESIGN UNITS METRIC	THIRD ANGLE PROJECTION		
	10 UNDER ±0.2		10 OVER 30 UNDER ±0.25		DRAWN BY HHIRAMOT	DATE 1990/06/19	TITLE QIK FLECS HEADER ASSY R/A WITH EJECT LEVER (1/2) (JAPANESE ONLY)		
	30 OVER ±0.3		ANGULAR ±3 °		CHECKED BY MSASAO	DATE	MOLEX INCORPORATED		
	DRAFT WHERE APPLICABLE MUST REMAIN WITHIN DIMENSIONS		SHEET 2 OF 2 参照		APPROVED BY HIKESUGI		DATE	DOCUMENT NO. SD-5340-001	SHEET NO. 1 OF 2
	THIS DRAWING CONTAINS INFORMATION THAT IS PROPRIETARY TO MOLEX INCORPORATED AND SHOULD NOT BE USED WITHOUT WRITTEN PERMISSION								

10 9 8 7 6 5 4 3 2 1

F

E

D

C

B

A

— # —	— # —	39-26-7644	5340-64BGS3	64
— # —	— # —	▲ -7604	▲ -60BGS3	60
— # —	— # —	-7504	-50BGS3	50
— # —	— # —	-7404	-40BGS3	40
— # —	— # —	-7344	-34BGS3	34
— # —	— # —	-7304	-30BGS3	30
— # —	— # —	-7264	-26BGS3	26
— # —	— # —	-7204	-20BGS3	20
39-53-3167	5340-16BGS17F	-7164	-16BGS3	16
— # —	— # —	▼ -7144	▼ -14BGS3	14
— # —	— # —	39-26-7104	5340-10BGS3	10
EDP NO.	ENG. NO.	EDP NO.	ENG. NO.	極 数
5340-NBGS17F -LEAD FREE-		5340-NBGS3		

		39-26-7643	5340-64BGS2	39-26-8641	5340-64BG3	64
		▲ -7603	▲ -60BGS2	▲ -8601	▲ -60BG3	60
39-28-5503	5340-50BT2	-7503	-50BGS2	-8501	-50BG3	50
▲ -5403	▲ -40BT2	-7403	-40BGS2	-8401	-40BG3	40
-5303	-30BT2	-7303	-30BGS2	-8301	-30BG3	30
-5263	-26BT2	-7263	-26BGS2	-8261	-26BG3	26
-5203	-20BT2	-7203	-20BGS2	-8201	-20BG3	20
-5163	-16BT2	-7163	-16BGS2	-8161	-16BG3	16
▼ -5143	▼ -14BT2	▼ -7143	▼ -14BGS2	▼ -8141	▼ -14BG3	14
39-28-5103	5340-10BT2	39-26-7103	5340-10BGS2	39-26-8101	5340-10BG3	10
EDP NO.	ENG. NO.	EDP NO.	ENG. NO.	EDP NO.	ENG. NO.	極 数
5340-NBT2		5340-NBGS2		5340-NBG3		
10-55-2647	5340-64BGS4	39-26-7642	5340-64BGS1	10-55-7642	5340-64BG2	64
▲ -2607	▲ -60BGS4	▲ -7602	▲ -60BGS1	▲ -7602	▲ -60BG2	60
-2507	-50BGS4	-7502	-50BGS1	-7502	-50BG2	50
-2407	-40BGS4	-7402	-40BGS1	-7402	-40BG2	40
-2347	-34BGS4	-7342	-34BGS1	-7342	-34BG2	34
-2307	-30BGS4	-7302	-30BGS1	-7302	-30BG2	30
-2267	-26BGS4	-7262	-26BGS1	-7262	-26BG2	26
-2207	-20BGS4	-7202	-20BGS1	-7202	-20BG2	20
-2167	-16BGS4	-7162	-16BGS1	-7162	-16BG2	16
▼ -2147	▼ -14BGS4	▼ -7142	▼ -14BGS1	▼ -7142	▼ -14BG2	14
39-28-2107	5340-10BGS4	39-26-7102	5340-10BGS1	10-55-7102	5340-10BG2	10
EDP NO.	ENG. NO.	EDP NO.	ENG. NO.	EDP NO.	ENG. NO.	極 数
5340-NBG4		5340-NBGS1		5340-NBG2		

REVISED EC NO: J2005-2409 DRAWN: TAKEMOTO 2005/04/13 CHKD: TANAKA 2005/04/14 APPR: NUKITA 2005/04/19	GENERAL TOLERANCES (UNLESS SPECIFIED)		DIMENSION STYLE MM ONLY		SCALE 2:1	DESIGN UNITS METRIC	THIRD ANGLE PROJECTION	
	10 UNDER	±0.2	DRAWN BY HHIRAMOT	DATE 1990/06/19	TITLE QIK FLECS HEADER ASSY R/A WITH EJECT LEVER (2/2) (JAPANESE ONLY)			
	10 OVER 30 UNDER	±0.25	CHECKED BY MSASAO	DATE				
	30 OVER	±0.3	APPROVED BY HIKESUGI	DATE	MOLEX INCORPORATED			
	ANGULAR	±3 °	MATERIAL NO.	表参照	DOCUMENT NO. SD-5340-001	SHEET NO. 2 OF 2		
DRAFT WHERE APPLICABLE MUST REMAIN WITHIN DIMENSIONS		SIZE A3	THIS DRAWING CONTAINS INFORMATION THAT IS PROPRIETARY TO MOLEX INCORPORATED AND SHOULD NOT BE USED WITHOUT WRITTEN PERMISSION					



10 9 8 7 6 5 4 3 2 1

F

E

D

C

B

A

—//—	—//—	39-26-7644	5340-64BGS3	64
—//—	—//—	▲ -7604	▲ -60BGS3	60
—//—	—//—	-7504	-50BGS3	50
—//—	—//—	-7404	-40BGS3	40
—//—	—//—	-7344	-34BGS3	34
—//—	—//—	-7304	-30BGS3	30
—//—	—//—	-7264	-26BGS3	26
—//—	—//—	-7204	-20BGS3	20
39-53-3167	5340-16BGS17F	-7164	-16BGS3	16
—//—	—//—	▼ -7144	▼ -14BGS3	14
—//—	—//—	39-26-7104	5340-10BGS3	10
EDP NO.	ENG. NO.	EDP NO.	ENG. NO.	NO. OF CKTS.
5340-NBGS17F -LEAD FREE-		5340-NBGS3		

		39-26-7643	5340-64BGS2	39-26-8641	5340-64BG3	64
		▲ -7603	▲ -60BGS2	▲ -8601	▲ -60BG3	60
39-28-5503	5340-50BT2	-7503	-50BGS2	-8501	-50BG3	50
▲ -5403	▲ -40BT2	-7403	-40BGS2	-8401	-40BG3	40
-5343	-34BT2	-7343	-34BGS2	-8341	-34BG3	34
-5303	-30BT2	-7303	-30BGS2	-8301	-30BG3	30
-5263	-26BT2	-7263	-26BGS2	-8261	-26BG3	26
-5203	-20BT2	-7203	-20BGS2	-8201	-20BG3	20
-5163	-16BT2	-7163	-16BGS2	-8161	-16BG3	16
▼ -5143	▼ -14BT2	▼ -7143	▼ -14BGS2	▼ -8141	▼ -14BG3	14
39-28-5103	5340-10BT2	39-26-7103	5340-10BGS2	39-26-8101	5340-10BG3	10
EDP NO.	ENG. NO.	EDP NO.	ENG. NO.	EDP NO.	ENG. NO.	NO. OF CKTS.
5340-NBT2		5340-NBGS2		5340-NBG3		
10-55-2647	5340-64BGS4	39-26-7642	5340-64BGS1	10-55-7642	5340-64BG2	64
▲ -2607	▲ -60BGS4	▲ -7602	▲ -60BGS1	▲ -7602	▲ -60BG2	60
-2507	-50BGS4	-7502	-50BGS1	-7502	-50BG2	50
-2407	-40BGS4	-7402	-40BGS1	-7402	-40BG2	40
-2347	-34BGS4	-7342	-34BGS1	-7342	-34BG2	34
-2307	-30BGS4	-7302	-30BGS1	-7302	-30BG2	30
-2267	-26BGS4	-7262	-26BGS1	-7262	-26BG2	26
-2207	-20BGS4	-7202	-20BGS1	-7202	-20BG2	20
-2167	-16BGS4	-7162	-16BGS1	-7162	-16BG2	16
▼ -2147	▼ -14BGS4	▼ -7142	▼ -14BGS1	▼ -7142	▼ -14BG2	14
39-28-2107	5340-10BGS4	39-26-7102	5340-10BGS1	10-55-7102	5340-10BG2	10
EDP NO.	ENG. NO.	EDP NO.	ENG. NO.	EDP NO.	ENG. NO.	NO. OF CKTS.
5340-NBGS4		5340-NBGS1		5340-NBG2		

REVISED EC NO: J2005-2409 DRAWN: TAKEMOTO 2005/04/13 CHKD: NUKITA 2005/04/14 APPR: NUKITA 2005/04/19	GENERAL TOLERANCES (UNLESS SPECIFIED)		DIMENSION STYLE MM ONLY	SCALE 2:1	DESIGN UNITS METRIC	THIRD ANGLE PROJECTION
	10 UNDER	±0.2	DRAWN BY HHIRAMOT	DATE 1989/11/13	TITLE QIK FLECS HEADER ASSY R/A WITH EJECT LEVER (2/2) (ENGLISH ONLY)	
	10 OVER 30 UNDER	±0.25	CHECKED BY MSASAO	DATE	MOLEX INCORPORATED	
	30 OVER	±0.3	APPROVED BY HIKESUGI	DATE	DOCUMENT NO. SD-5340-NB*	
	ANGULAR ±3 °		MATERIAL NO. SEE CHERT	DATE	SHEET NO. 2 OF 2	
DRAFT WHERE APPLICABLE MUST REMAIN WITHIN DIMENSIONS		SIZE A3	THIS DRAWING CONTAINS INFORMATION THAT IS PROPRIETARY TO MOLEX INCORPORATED AND SHOULD NOT BE USED WITHOUT WRITTEN PERMISSION			