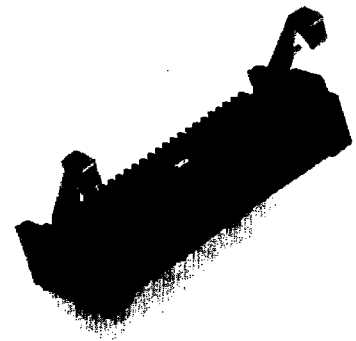
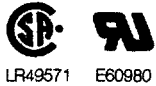


## 2 ROW HEADER STRAIGHT TAIL, WITH OPTIONAL SPACE SAVING VERTICAL EJECTORS

.050" x .100" CENTERS



### PHYSICAL PROPERTIES

**INSULATION MATERIAL:** Glass filled thermoplastic rated UL 94V-0, infrared and vapor phase process compatible

**COLOR:** Black

**CONTACTS:** Copper alloy, 30 microinches gold over nickel in mating area, tin/lead plating in the termination area.

### ELECTRICAL PROPERTIES

**CURRENT RATING:** 1 Amp

**INSULATION RESISTANCE:** >1 x 10<sup>9</sup> Ohms

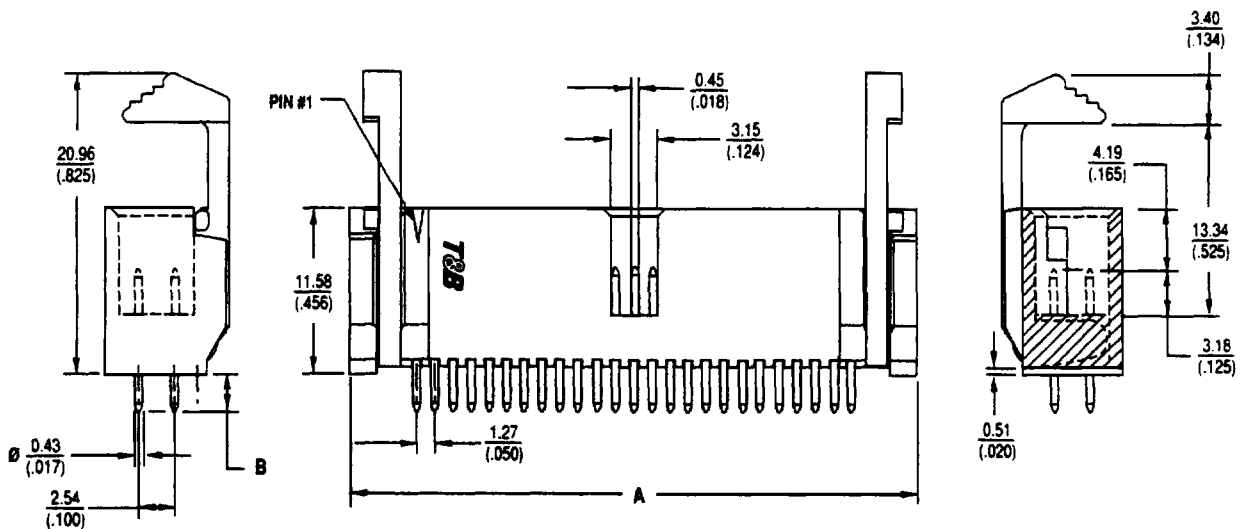
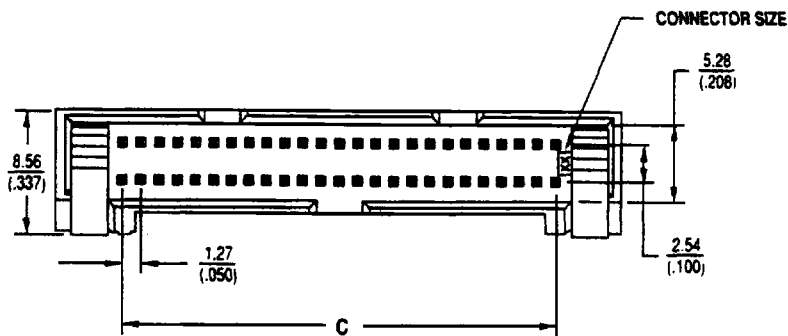
**DIELECTRIC STRENGTH:** > 1000 VAC at sea level

### ENVIRONMENTAL PROPERTIES

**TEMPERATURE RATING:** -55°C TO 125°C

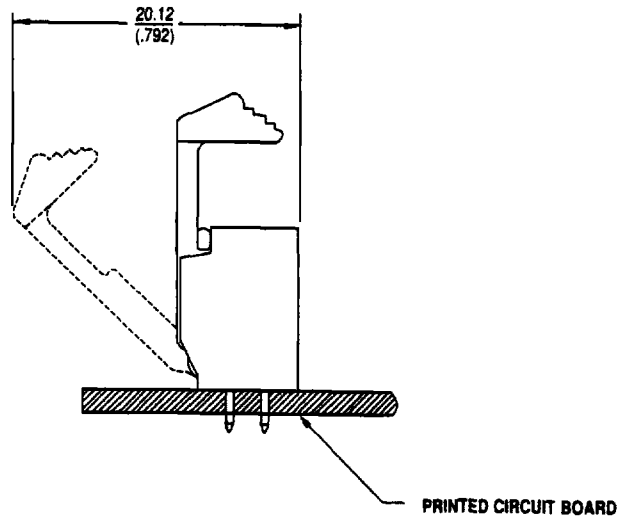
### MATING CONNECTORS

FEMALE SOCKETS: See page 7

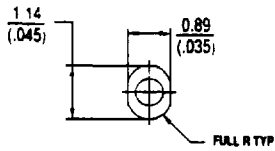


**2 ROW HEADER  
STRAIGHT TAIL, WITH  
OPTIONAL SPACE SAVING  
VERTICAL EJECTORS**

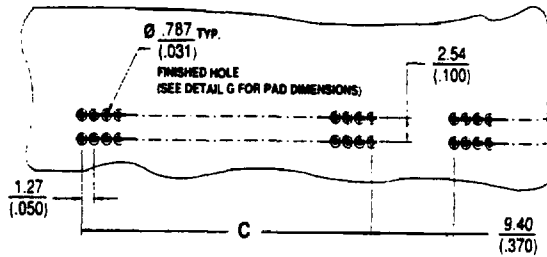
**.050" x .100" CENTERS**



**Detail G  
(typical)**



**Recommended Printed Circuit Board Layout**



**Ordering Information**

PART NUMBER	DATA LOG NUMBER		CATALOG NUMBER		DIMENSIONS	
	W/ EJECTOR	W/ EJECTOR	W/ EJECTOR	W/ EJECTOR	LENGTH	WIDTH
20	311-020D272	311-020D272E	311-020D372	311-020D372E	20.68 (.814)	11.43 (.450)
26	311-026D272	311-026D272E	311-026D372	311-026D372E	24.49 (.964)	15.24 (.600)
30	311-030D272	311-030D272E	311-030D372	311-030D372E	27.03 (1.064)	17.78 (.700)
34	311-034D272	311-034D272E	311-034D372	311-034D372E	29.57 (1.164)	20.32 (.800)
40	311-040D272	311-040D272E	311-040D372	311-040D372E	28.80 (1.314)	24.13 (.950)
50	311-050D272	311-050D272E	311-050D372	311-050D372E	39.73 (1.564)	30.48 (1.200)
60	311-060D272	311-060D272E	311-060D372	311-060D372E	46.07 (1.814)	36.83 (1.450)
68	311-068D272	311-068D272E	311-068D372	311-068D372E	51.16 (2.014)	41.91 (1.650)
80	311-080D272	311-080D272E	311-080D372	311-080D372E	58.78 (2.314)	49.53 (1.950)
100	311-100D272	311-100D272E	311-100D372	311-100D372E	71.48 (2.814)	62.23 (2.450)