

PCMCIA PC Memory Card Connectors



Series 9170 PCMCIA Type II Frameless Card Kit 68 Position Receptacle

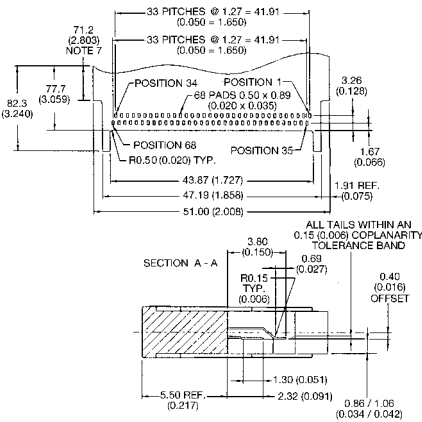
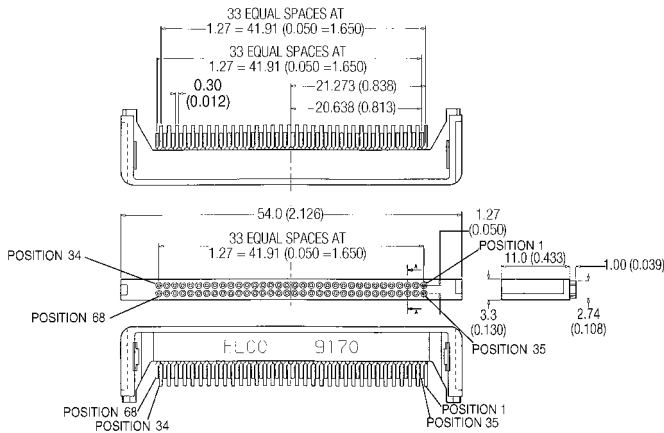
FEATURES

- Design to fit Frameless Kit Cover Type II
- Connector held in card by cover location clip
- High temperature materials meet solder reflow requirements
- Palladium nickel plating provides maximum contact wear
- Incorporates 5v keying features
- 3.3v keying features can be offered

68 POSITION RECEPTACLE CONNECTOR SSDR 0.40mm Offset 5.0 Volt

HOW TO ORDER

20 9170 068 001 XXX

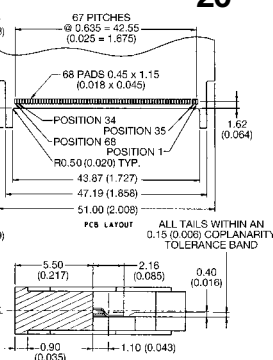
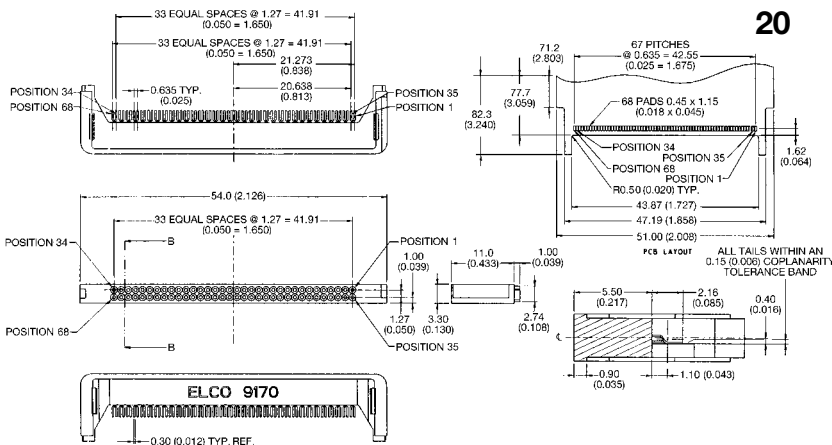


001=Tray - 576
002=Tape & Reel - 576
003=Tube - 144

SSSR 0.40mm Offset 5.0 Volt

HOW TO ORDER

20 9170 068 004 XXX

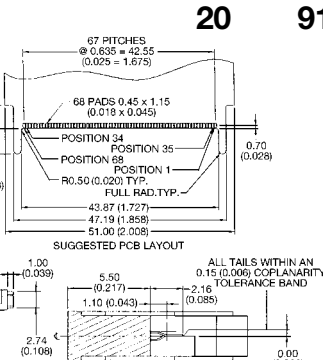
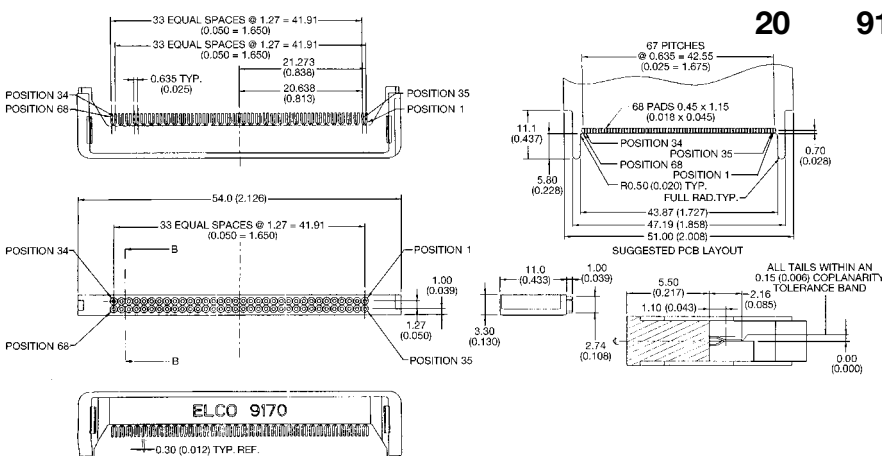


001=Tray - 576
002=Tape & Reel - 576
003=Tube - 144

SSSR 0.00mm Offset 5.0 Volt

HOW TO ORDER

20 9170 068 009 XXX



001=Tray - 576
002=Tape & Reel - 576
003=Tube - 144