

SPECIFICATIONS

Header Connector

Mechanical

Contact Retention Force: 1.36 Kgf min.

HL89 Series

T/H Type , Vertical Plug

2.54mm [0.10"] Pitch

Electrical

Voltage Rating: 250 V

Current Rating: 3.0A per pin

Dielectric Withstanding Voltage: 1000V AC

Insulation Resistance: 1000MΩ min.

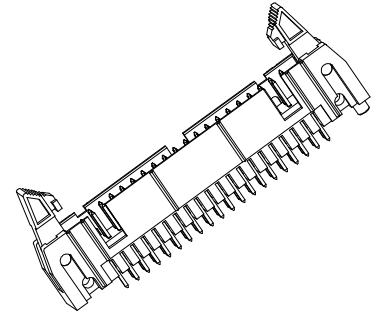
Physical

Housing: Thermoplastic, UL 94V-0 rating in ivory color

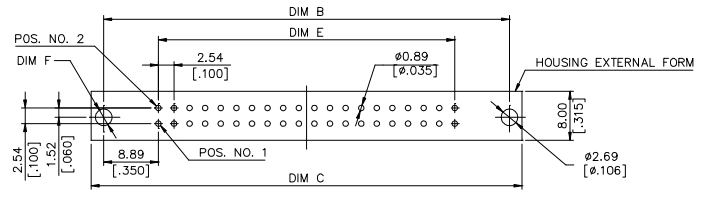
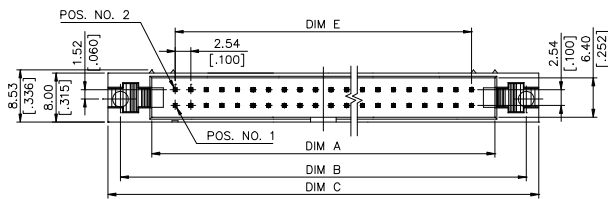
Contact: Copper Alloy

Plating: See "ORDERING INFORMATION"

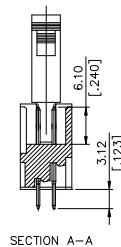
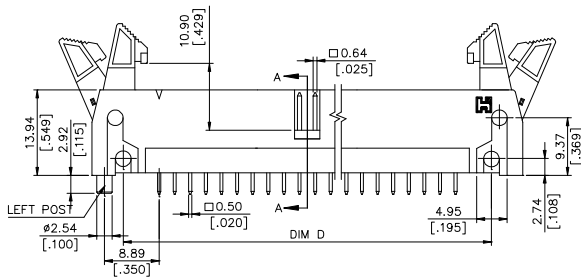
Operating Temperature: -40°C to +105°C



DRAWING



RECOMMENDED P.C.B. LAYOUT
TOLERANCE : 0.05



ORDERING INFORMATION

PRODUCT No. : H L 8 9 *** - *** _ * F

- Header
- Shrouded Header
- Termination&Contact Type
- No. Of Single Row Pos.
17=17/34 POS.
20=20/40 POS.
- Contact T Area Plating
1=GOLD FLASH
7=15u" GOLD
3=30u" GOLD
- RoHS PRODUCT
- PACKAGE TYPE
4:SOFT TRAY
- POST OPTIONAL
01:WITHOUT POST
02:ONLY LEFT POST
03:ONLY RIGHT POST
04:LEFT&RIGHT POST
- MODIFICATION CODE
F0:FULL PIN
D2:20th PIN IS REMOVED
P4:5th PIN IS REMOVED
P7:3th PIN IS REMOVED
U1:3rd & 5th PINS ARE REMOVED

HL8920*-****-***	20/40	55.88 [2.202]	66.04 [2.602]	70.10 [2.762]	59.94 [2.362]	48.26 [1.901]	2.69 [0.106]	(Without post)
HL8917*-****-***	17/34	48.26 [1.901]	58.42 [2.302]	62.48 [2.462]	52.32 [2.061]	40.64 [1.601]	3.53 [0.139]	(With post)
PRODUCT NO.	NO. OF POS.	DIM. A	DIM. B	DIM. C	DIM. D	DIM. E	DIM. F	