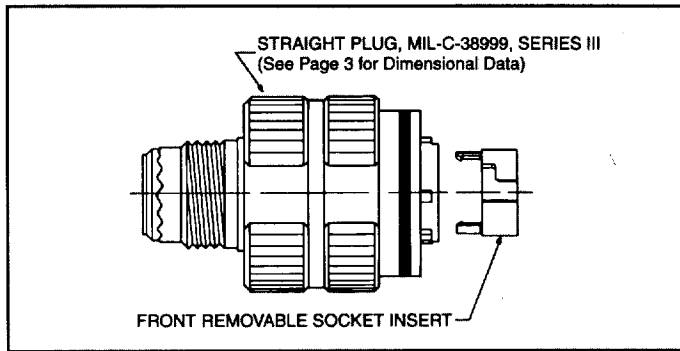


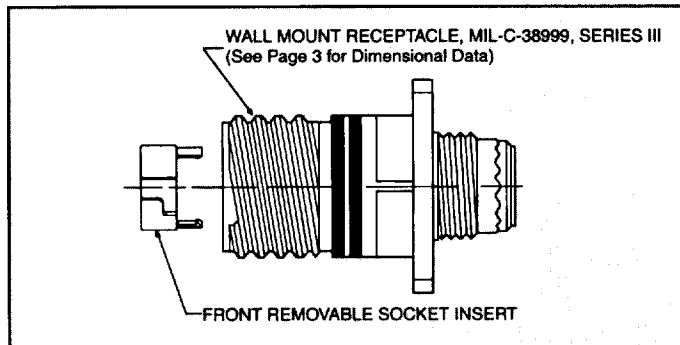
# Advanced Fiber Optic Multi-Channel Cylindrical Connectors featuring a front removable socket insert†

Amphenol now offers a new product that provides the cost advantage feature of a front removable insert to facilitate cleaning and maintaining fiber optic termini. Features of this new advancement include:

- Front removable socket insert facilitates cleaning of socket termini - no special cleaning tools required
- Designed to meet or exceed the requirements of MIL-C-38999 Series III connectors
- Advanced Fiber Optic insert available for both plug and receptacle connectors
- Available in aluminum, stainless steel and composite shell materials



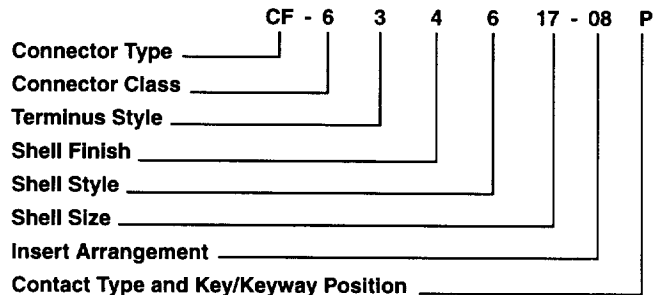
Advanced Fiber Optic Plug



Advanced Fiber Optic Receptacle

## HOW TO ORDER

Example part number CF-634617-08P is shown as follows:



### Connector Type

CF designates Advanced Fiber Optic Connector

### Connector Class

5 designates Tri-Start MIL-C-38999, Series III, aluminum  
6 designates Tri-Start MIL-C-38999, Series III, composite  
8 designates Tri-Start MIL-C-38999, Series III, stainless steel

### Terminus Style

3 designates epoxy polished, advanced fiber optic connector termini

### Shell Finish

4 designates electroless nickel  
5 designates unplated composite  
6 designates stainless steel  
9 designates O.D. cadmium

### Shell Style

0 designates wall mount receptacle  
2 designates box mount receptacle  
7 designates jam nut receptacle  
6 designates straight plug

### Shell Size

See insert availability for Tri-Start connectors, pages 4-6.\*

### Insert Arrangement

See insert availability for Tri-Start connectors, pages 4-6.\*

### Contact Type and Key/Keyway Position

P designates pin contacts  
S designates socket contacts

For key/keyway positioning, choose the alternate rotation suffix letter from the chart below.

### ALTERNATE POSITION SUFFIX

Alternate Position	Suffix Letter	
	Pins	Sockets
Normal	P	S
A	G	H
B	I	J
C	K	L
D	M	N
E	R	T

NOTE: A special tool is required to remove the insert in this connector. Order by part number 11-12193-0XX

XX Designates Shell Size

† The advanced fiber optic connector can be supplied with a fixed insert which is not removable; consult Amphenol, Sidney, NY for availability.

\* Not all shell sizes and insert arrangements are presently available in the advanced fiber optic design; consult Amphenol, Sidney, NY for further information.