

SPECIFICATIONS

Mechanical

Insertion Force: 55.5N max.
Withdrawal Force: 49.0N max.
Durability: 250 Cycles.

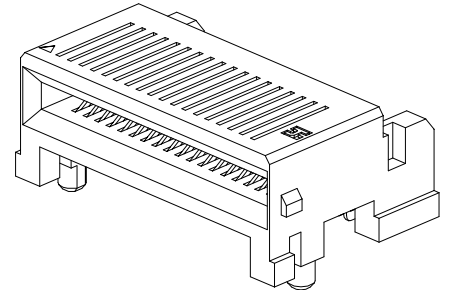
Electrical

Voltage Rating: 250V.
Current Rating: 0.5A min. per pin.
Contact Resistance: $\Delta 20m\Omega$ max. after Life testing.
Dielectric Withstanding Voltage: 300V AC.
Insulation Resistance: 1000M Ω min.

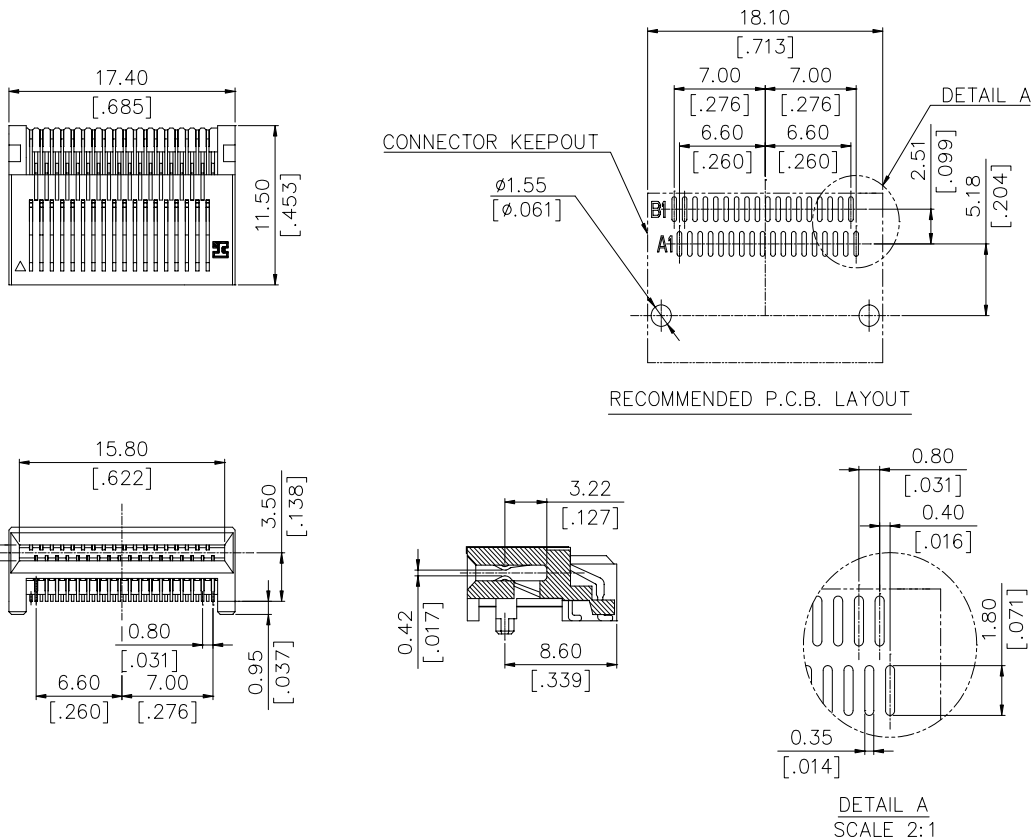
Physical

Housing: Thermoplastic, UL94 V-0 rated in Black Color
Contact: Copper alloy
Plating: See "ORDERING INFORMATION"
Operating Temperature: -20 to +85

Mini SAS Connector LD21 Series R/A, SMT, Receptacle 0.8mm [.032"] Pitch



DRAWING



ORDERING INFORMATION

PRODUCT NO. : **L D 2 1 36 * - M 6 * * ***

- S-ATA Series
- Mating End Type
2=Receptacle
- Mounting End Type
1= SMT, R/A
- No. of Pos.
36 = 36 Pos.
- Packing Type
None=Tray
5 = Tape&Reel With Mylar
- Housing Material
L = LCP, Color Black
- Modification Code
(1,2,3,4...)
- Mini SAS, Two Pieces
- Mini SAS Type
- Contact Area Plating
H=30u" Gold With RoHS Compliance
V=15u" Gold With RoHS Compliance