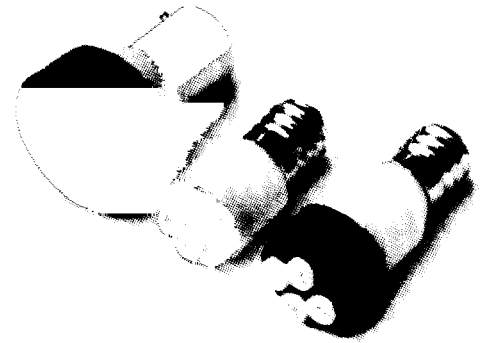


**SPECTRUM DEVICES**

**36 to 42CHIP & 12 LED CLUSTER LAMPS**

**FEATURES: DIRECT INCANDESCENT REPLACEMENT,HIGH SHOCK/VIBRATION RESISTANCE.LOW POWER CONSUMPTION, CHOICE OF 8 COLORS,100,000 HR LIFE.WIDE (160DEG MULTI-CHIP) OR NARROW (40DEG LED) ANGLES.**



**REPLACABLE INCANDESCENTS:3S6 AND 6S6 IN 6V TO 125V AC / DC.DC AND SC BAYONET AND INTERMEDIATE SCREW HIGH INTENSITY LAMPS.WHEN REPLACING INCANDESCENTS,SPECIFY BULB #,OPERATING VOLTAGE(AC or DC?) AND CENTER CONTACT POLARITY IF DC.**

**OPTICAL DATA at 25 deg C**

**COLORS**

PARAMETERS	UR	HR	O	Y	G	PG	BL	WHT	UNITS
INTENSITY 36CHIP : 42CHIP 12 LED CLUSTER	300 : 350 2800	180 : 210 800	150 : 175 733	120 : 140 400	360 : 420 400	90 : 105 300	24 : 28 80	150 : 175 NA	mcd
VIEW ANGLE LED : 36-42CHIP	40 : 160	40 : 160	40 : 160	40 : 160	40 : 160	40 : 160	40 : 160	40 : 160	deg
PEAK WAVELENGTH	660	635	610	585	570	555	470	590	nM

**ELECTRICAL DATA at 25 deg C**

**VOLTAGES**

PARAMETERS	5V	6V	12V	24V	28V	48V	60V	120VAC	UNITS
TYP CURRENT 36CHIP : 42CHIP 12 LED CLUSTER	270 : 315 180	270 : 315 180	210 : 245 90	120 : 140 60	60 : 80 30	40 : 40 30	40 : 40 30	16 RMS 20 RMS	mA
TYP PWR 36CHIP : 42CHIP 12LED CLUSTER	1.4 : 1.6 .90	1.6 : 1.9 1.1	2.5 : 3.0 1.1	3.0 : 3.4 1.45	1.7 : 2.2 .84	2.0 : 2.0 1.44	2.4 : 2.4 1.8	2 2.4	W

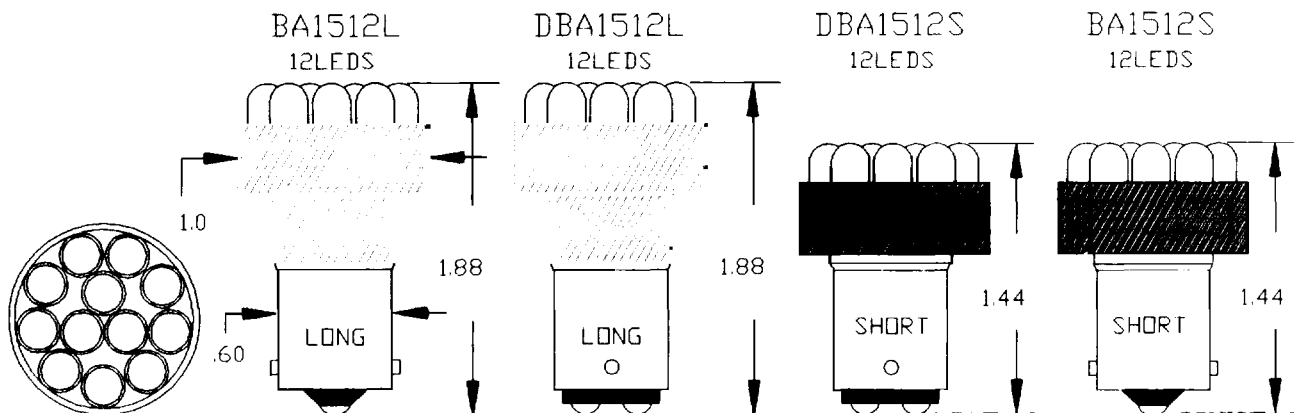
TEMPERATURE: STORAGE TEMP: -30 TO + 100 DEG C . OPERATING TEMP : -30 TO +60 DEG C

**PART NUMBERING SYSTEM**

BA1512L	HR	28VDC	P
<b>MODEL</b> SELECT ONE FROM FIGURES BELOW.	<b>COLOR</b> UR=ULTRA RED,HR=HI-EFF RED,O=ORANGE Y=YELLOW,G=GREEN,PG=PURE GREEN BL=BLUE,WHT=WHITE	<b>VOLTAGE</b> 5V ,6V ,12V ,24V ,28V ,48V ,60V, 120VAC ETC.CALL FOR OTHERS.	<b>CENTER POLARITY</b> P = POSITIVE N = NEGATIVE BP = BI-POLAR (WORKS ON ANY POLARITY)

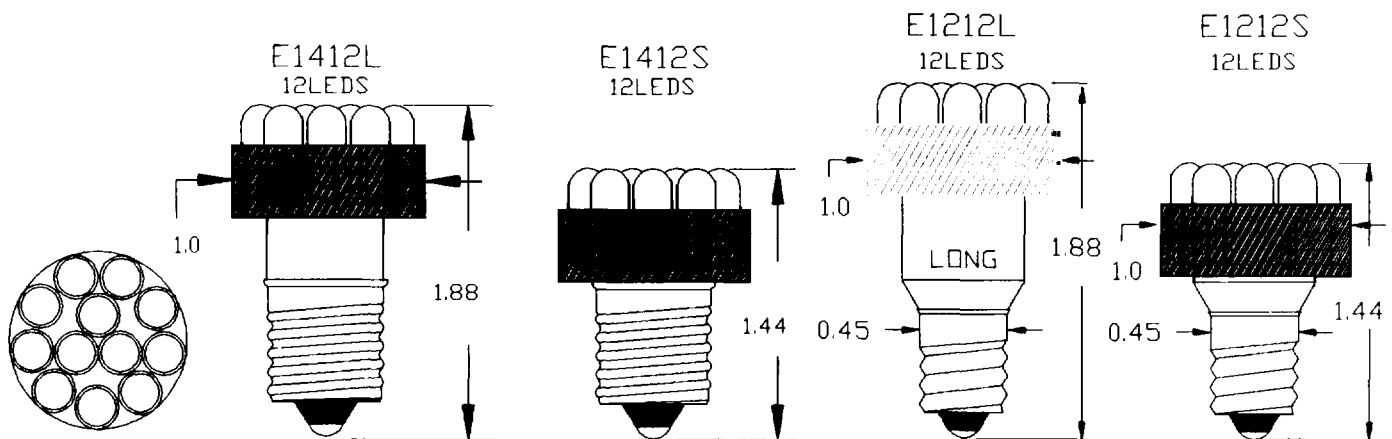
**SPECIALS: FLASHERS UPTO 120V AC/DC.CONSTANT CURRENT(VOLTAGE REGULATED).INFRA-RED ETC...**

**AUTO-BAYONETS (MORE ON NEXT PAGE)**



**INTERMEDIATE SCREW**

**CANDELABRA SCREW**



**CANDELABRA-SCREW**

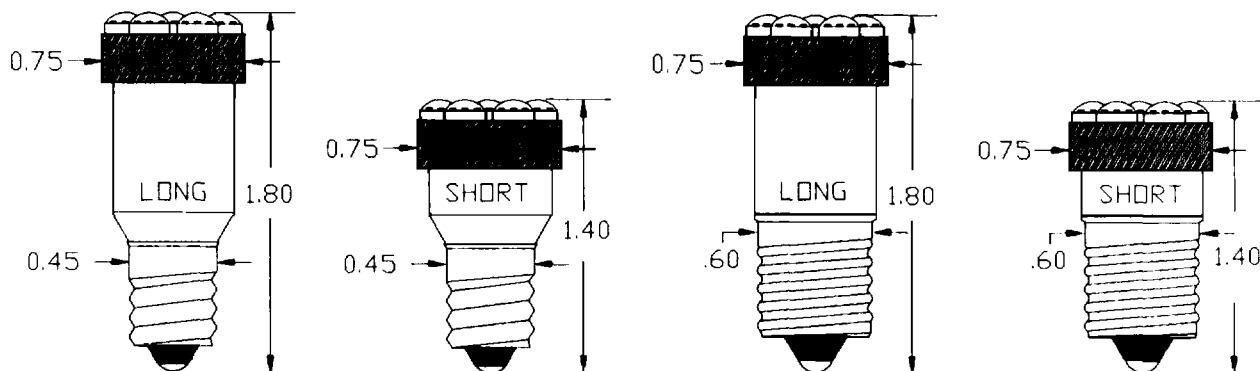
**INTERMEDIATE SCREW**

E1242L=42CHIP  
E1236L=36CHIP

E1242S=42CHIP  
E1236S=36CHIP

E1442L=42CHIP  
E1436L=36CHIP

E1442S=42CHIP  
E1436S=36CHIP



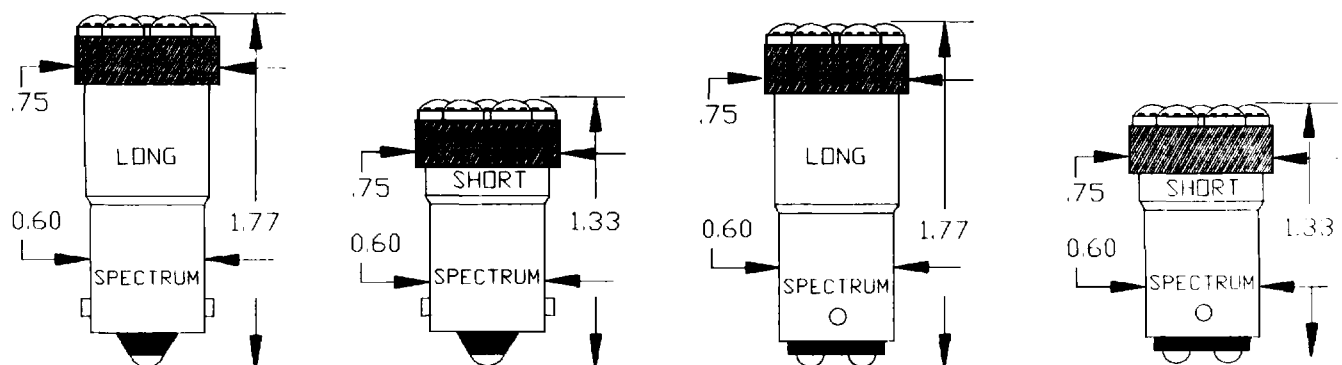
**SINGLE & DOUBLE CONTACT AUTO BAYONETS**

BA1542L=42CHIP  
BA1536L=36CHIP

BA1542S=42CHIP  
BA1536S=36CHIP

DBA1542L=42CHIP  
DBA1536L=36CHIP

DBA1542S=42CHIP  
DBA1536S=36CHIP



**SEE PREVIOUS PAGE FOR ORDERING INFO**