

LOW PROFILE HIGH CURRENT SMD SHIELDED POWER INDUCTOR



13.8 x 12.9 x 3.8mm

ASPI-1338



FEATURES:

- 100% lead (Pb) free.
- Lowest DCR/uH, in this package size.
- Frequency range up to 5.0MHZ.
- Handles high transient current spikes without saturation
- Ultra low buzz noise, due to composite construction.

APPLICATIONS:

- PDA/Notebook/Desktop/Server applications.
- Low profile, high current power supplies.
- Battery powered devices.
- DC/DC converter for Field Programmable Gate Array(FPGA)

STANDARD SPECIFICATIONS:

PARAMETERS	
ABRACON P/N:	ASPI-1338 xxxx
Operating temperature:	-55°C to +125°C
Storage temperature:	-40°C to +85°C, 70% RH max.

Electrical Characteristics

Part Number	L (μH) ±20%	DCR (mΩ) Max (Typ.)	Temp. Rise Current I _{rms} (A)	L decrease Current I _{sat} (A)
ASPI-1338- R10	0.10	9.6(0.8)	43.0	84
ASPI-1338- R15	0.15	1.2(1.0)	41.0	75
ASPI-1338- R22	0.22	1.3(1.1)	38.5	65
ASPI-1338- R33	0.33	1.5(1.3)	36.5	62
ASPI-1338- R47	0.47	2.0(1.6)	32.0	55
ASPI-1338- R56	0.56	2.2(1.8)	30.0	52
ASPI-1338- R60	0.60	2.3(1.8)	29.0	51
ASPI-1338- R68	0.68	2.5(2.3)	28.0	49
ASPI-1338- R82	0.82	3.0(2.6)	25.0	44
ASPI-1338- 1R0	1.0	3.5(3.3)	24.0	40
ASPI-1338- 1R5	1.5	5.5(5.1)	19.0	35
ASPI-1338- 1R8	1.8	7.0(6.0)	16.5	30
ASPI-1338- 2R2	2.2	8.0(7.2)	16.0	29
ASPI-1338- 3R3	3.3	12.0(11.0)	12.0	27
ASPI-1338- 3R6	3.6	13.0(12.0)	11.0	26
ASPI-1338- 4R7	4.7	16.0(14.3)	10.0	24
ASPI-1338- 5R6	5.6	18.0(17.1)	9.5	19
ASPI-1338- 6R8	6.8	22.0(19.8)	9.0	18
ASPI-1338- 8R2	8.2	28.0(24.8)	8.5	16
ASPI-1338- 100	10	34.0(30.4)	7.0	14

Testing Condition:

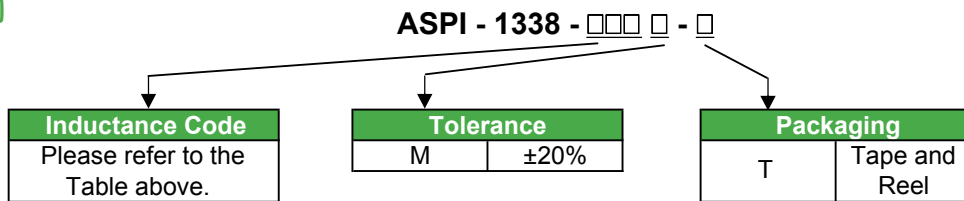
Test Frequency: 200kHz, 0.25V

Test Equipment:

Test L: ZENTECH 3305 Automatic components Analyzer

OPTIONS AND PART IDENTIFICATION:

(Left blank if standard)



LOW PROFILE HIGH CURRENT SMD SHIELDED POWER INDUCTOR

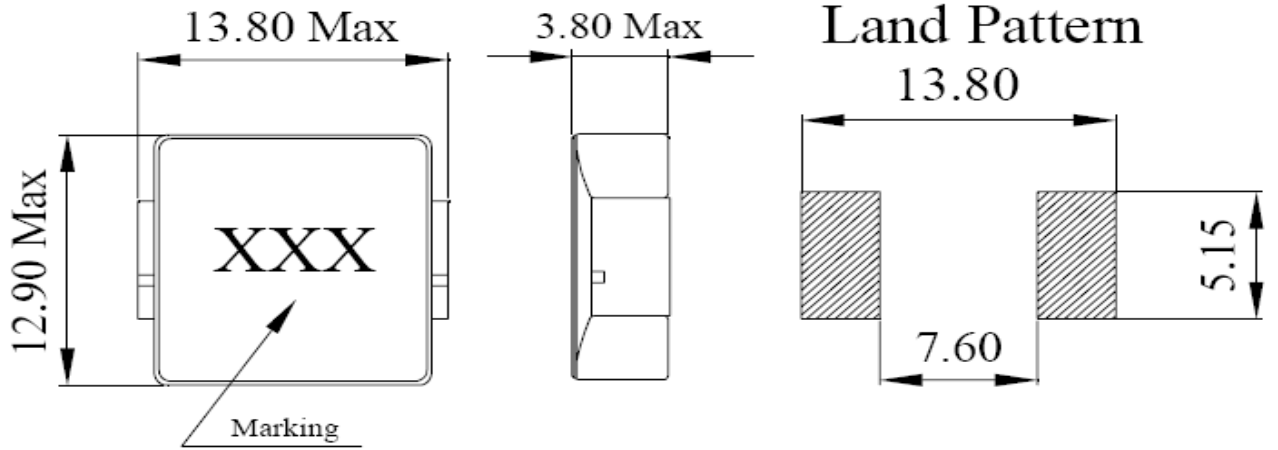


13.8 x 12.9 x 3.8mm

ASPI-1338



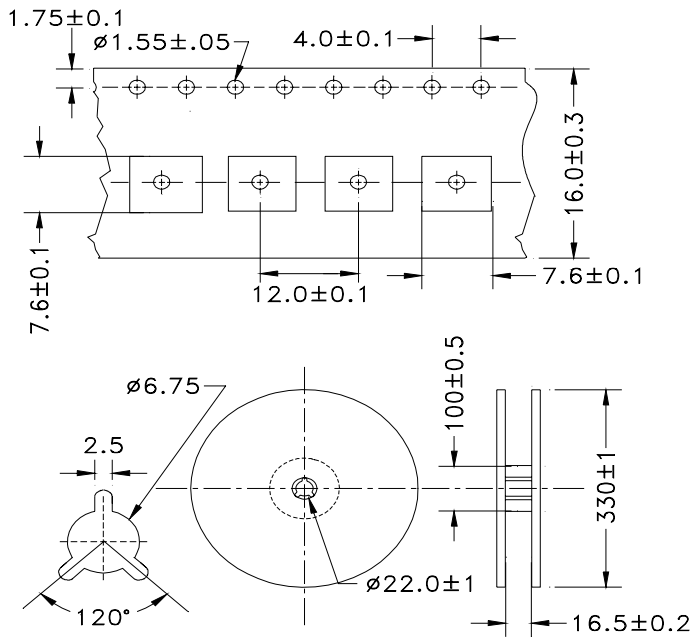
OUTLINE DIMENSIONS:



Dimension : Inches (mm)

TAPE & REEL: T= tape and reel(

REFLOW PROFILE:



Dimension : mm

